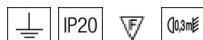
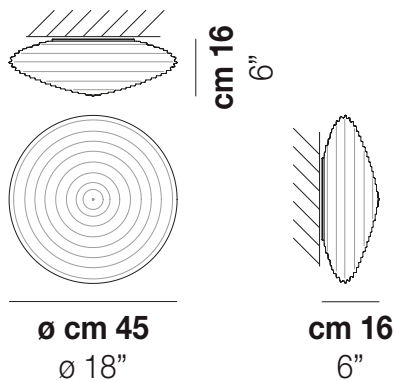


SPIRIT PL 45

DATOS TÉCNICOS:



CERTIFICATIONS:



FUENTES DE LUZ

| LED | Power | Voltage | Frequency | Notes |
|-------|---------|----------|-----------|--|
| E27 | 2x77w | 220-240V | 50/60 Hz | E27 |
| LED G | 1x19,5w | 220-240V | 50/60 Hz | LED 19,5W - (DRIVER INCLUDED) - 3000K - 2850 LUMENS - DIMMABLE |
| LED G | 1x19,5w | 220-240V | 50/60 Hz | LED 19,5W - (DRIVER INCLUDED) - 3000K - 2850 LUMENS - DIMMABLE |
| LED J | 1x10w | 220-240V | 50/60 Hz | LED 10W - 230 VOLT - 3000K - 1130 LUMENS - DIMMABLE |
| LED J | 1x10w | 220-240V | 50/60 Hz | LED 10W - 230 VOLT - 3000K - 1130 LUMENS - DIMMABLE |

| | |
|------------|---------|
| VOLUME | Mc 0,07 |
| PESO BRUTO | Kg 8 |
| PESO NETO | Kg 5 |

download



ACABADO DEL DIFUSOR



BC/LU

CR/TR

ACABADO PARTES METÁLICAS

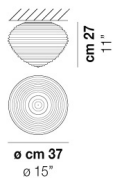


BC

NI

OTRAS VERSIONES DISPONIBLES

Haga clic en la versión para ir a la versión web del producto



SPIRI PL 37