

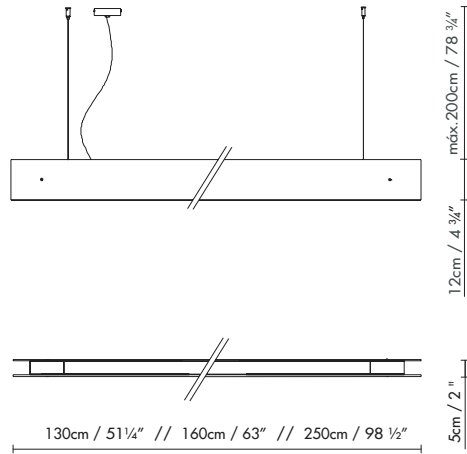
S130 (2L) LED: LED 2 x 21W 6680lm 450mA 3000K CRI80 120V 50-60Hz  
 S160 (2L) LED: LED 2 x 26,2W 3250lm 450mA 3000K CRI80 120V 50-60Hz  
 S250 (2L) LED: LED 2 x 44,6W 6500lm 450mA 3000K CRI80 120V 50-60Hz

S130 (1L) LED: LED 21W 3340lm 450mA 3000K CRI80 120V 50-60Hz  
 S160 (1L) LED: LED 26,2W 4180lm 450mA 3000K CRI80 120V 50-60Hz  
 S250 (1L) LED: LED 44,6W 7100lm 450mA 3000K CRI80 120V 50-60Hz

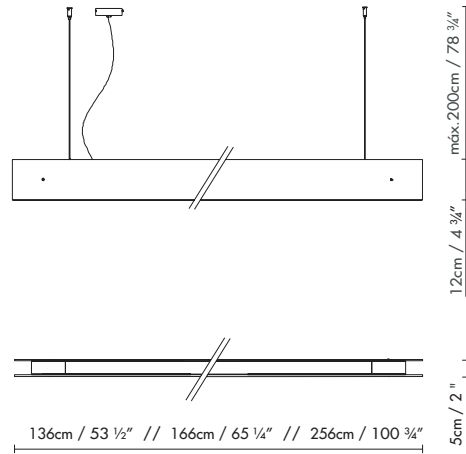
IP20 Class I

1

MARC DOS S 130 1L / MARC DOS S 160 1L / MARC DOS S 250 1L

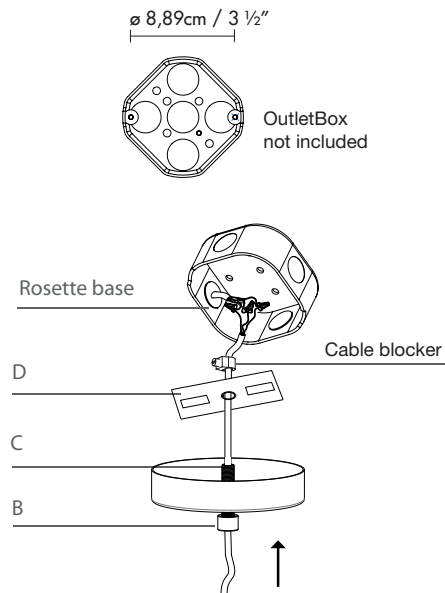


MARC DOS S 130 2L / MARC DOS S 160 2L / MARC DOS S 250 2L

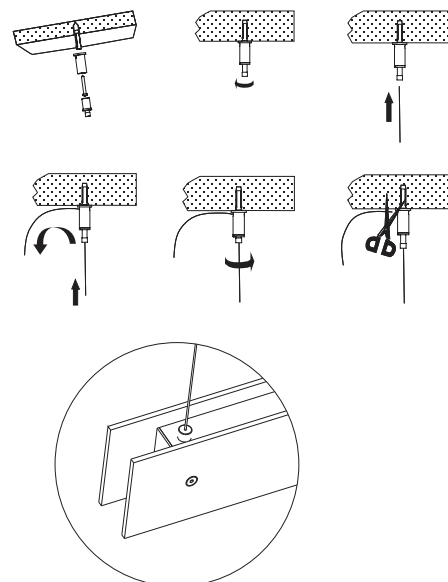


1. General dimensions of the lamp.
2. Screw piece C into part D. Fix D into rosette base. Place rosette A, tighten B nut.
3. Fix the supports of the steel cable using the supplied screws and plugs and adjusting the height of lighting fixture.

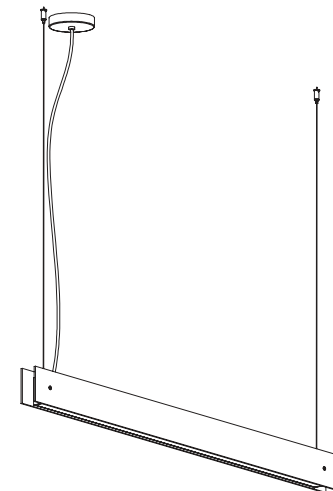
2






3



4



Consumer information:

- Lamps without the IP mark are classed as IP20 and are designed for general interior use, except wet areas (bathrooms, etc.)
- Lamps with the IP mark are designed for exterior use and in wet areas. (E.g. IP54)
- They offer guaranteed protection to people and animals against electrical discharge:
  - Class I: through single electrical insulation and an earthing conductor once correctly connected.
  - Class II: through double electrical insulation.
  - Class III: these kinds of lamps should be connected at very low voltage levels (generally 12V); therefore there is no risk.
-  • Lamps with this symbol, or without any symbols, can be mounted directly onto normally inflammable surfaces.
-  • Lamps with this symbol cannot be mounted directly onto normally inflammable surfaces.
  - The safety of this lamp is guaranteed by using a maximum wattage bulb that does not exceed the figure displayed visibly on the lamp.
-  • The product cannot be treated like conventional domestic waste; it must be taken to the corresponding recycling point for electrical and electronic equipment.

## Assembly instructions

**B.lux**

B.LUX S.A.  
Pol. Ind. Okamika, pab. 1  
48289 Gizaburuaga (Bizkaia) Spain  
T. (+34) 94 682 72 72  
F. (+34) 94 682 49 02  
info@grupoblux.com  
www.grupoblux.com