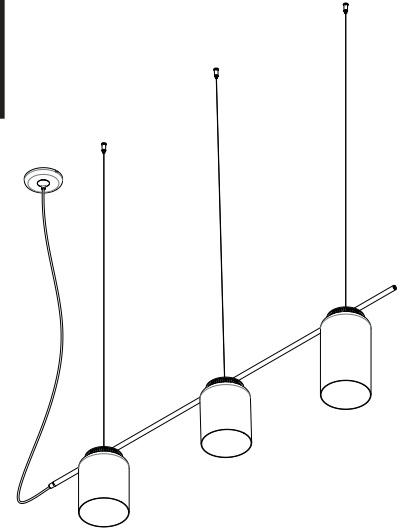


Aspen SH

Werner Aisslinger

Aspen SH



ADVERTENCIAS

- Se recomienda que la instalación sea realizada por un profesional.
- Desconectar la conexión a red antes de ser manipulada.
- Si el cable de la luminaria está dañado, deberá sustituirse exclusivamente por el fabricante o su servicio técnico.
- La fuente de luz de esta luminaria debe reemplazarse únicamente por el fabricante o su servicio técnico o por una persona cualificada equivalente con objeto de evitar cualquier riesgo.
- Para limpiar la luminaria, utilizar un paño suave humedecido con agua y, si fuera necesario, detergente neutro. No usar alcohol u otros disolventes.
- Para la opción de regulación con Casambi, descargar la aplicación. Para más información ir a la web www.casambi.com

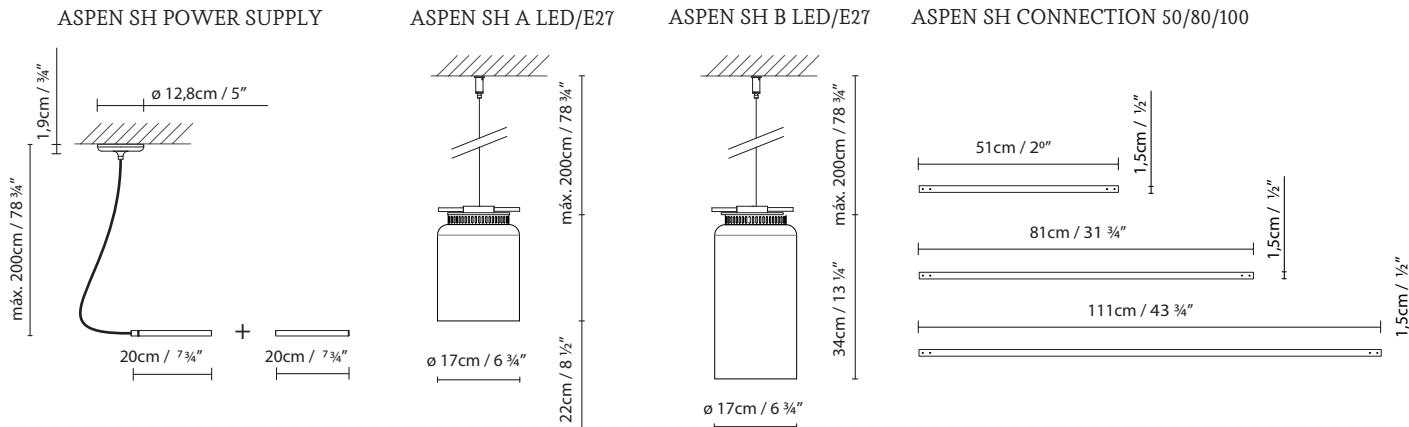
WARNING

- The light should be installed by a professional electrician.
- Disconnect from the power system before handling the light.
- If the lamp cable is damaged, it should only be replaced by the manufacturer or its technical service.
- The light source of this lamp should only be replaced by the manufacturer, its technical service or a similarly qualified person, in order to prevent risks.
- To clean the luminaire use a soft damp cloth with soap or a neutral detergent. Do not use alcohol or other solvents.
- To use the dimming option with Casambi, please download the app. For more information, visit www.casambi.com.

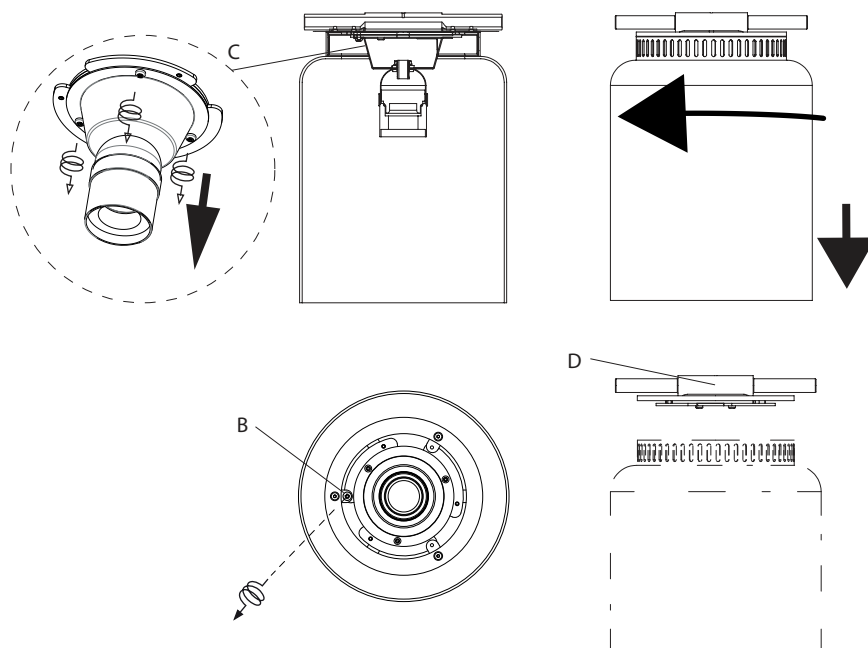
HINWEISE

- Wir empfehlen, die Installation von einem Fachmann vornehmen zu lassen.
- Unterbrechen Sie die Verbindung zum Netz vor Beginn der Arbeiten.
- Wenn das Kabel der Leuchte beschädigt ist, darf es ausschließlich vom Hersteller oder dessen technischem Dienst ausgewechselt werden. n. ausgetauscht werden.
- Die Lichtquelle dieser Leuchte darf ausschließlich vom Hersteller oder dessen technischem Dienst bzw. einer Person mit vergleichbaren Qualifikationen ausgetauscht werden, um jedwedes Risiko zu vermeiden.
- Zur Reinigung der Leuchte empfiehlt es sich, ein weiches, mit Wasser und, falls nötig, neutralem Reinigungsmittel befeuchtetes Tuch zu verwenden. Keinen Alkohol oder andere Lösungsmittel verwenden.
- Für die Anwendung des Licht-Kontroll-Systems Casambi die App herunterladen. Für weitere Informationen besuchen Sie die Webseite www.casambi.com

1.



2.



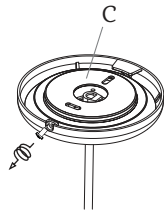
1. General size of the lamp.

2. ASPEN SH E27: Remove the screws and take out the bulb holder (C). Loosen the screw (B) and turn the shade to separate it from the base plate (D). The base plate (D) will be used to join the parts.

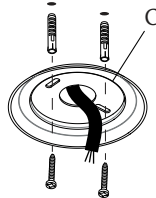
3.

ASPEN SH POWER SUPPLY

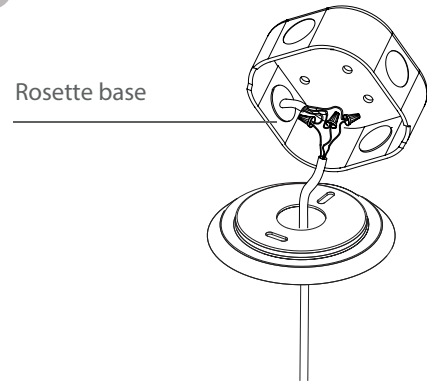
3.1



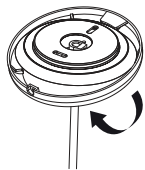
3.2



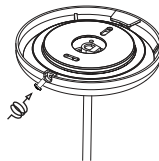
3.3



3.4

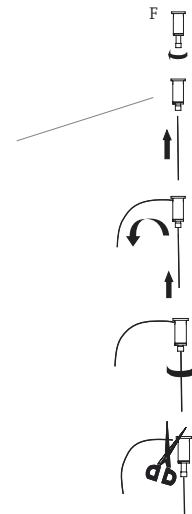
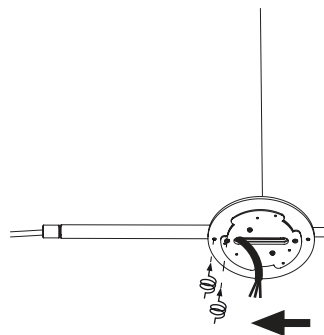
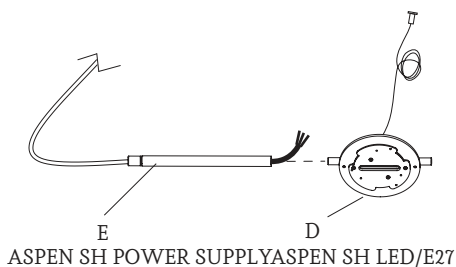


3.5



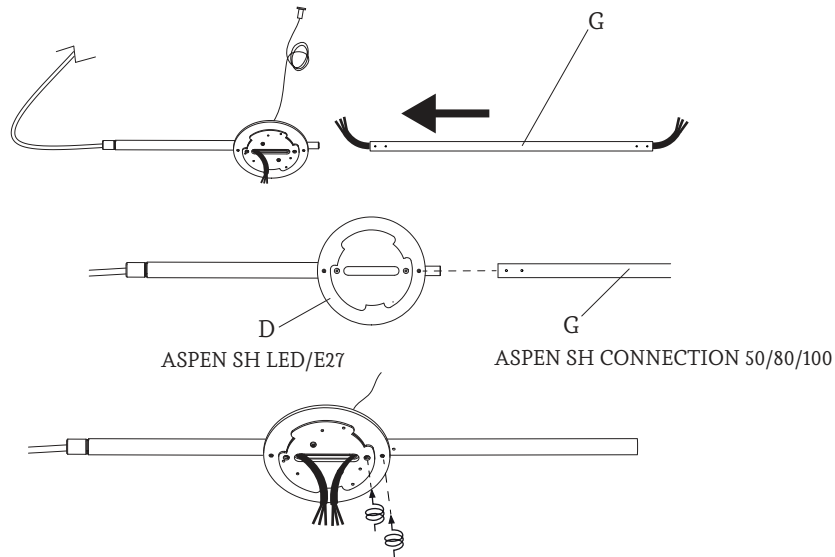
Para realizar la instalación desconectar la corriente eléctrica.
To carry out the installation disconnect the electric power.
Um die Installation durchzuführen, trennen Sie den elektrischen Strom

4.



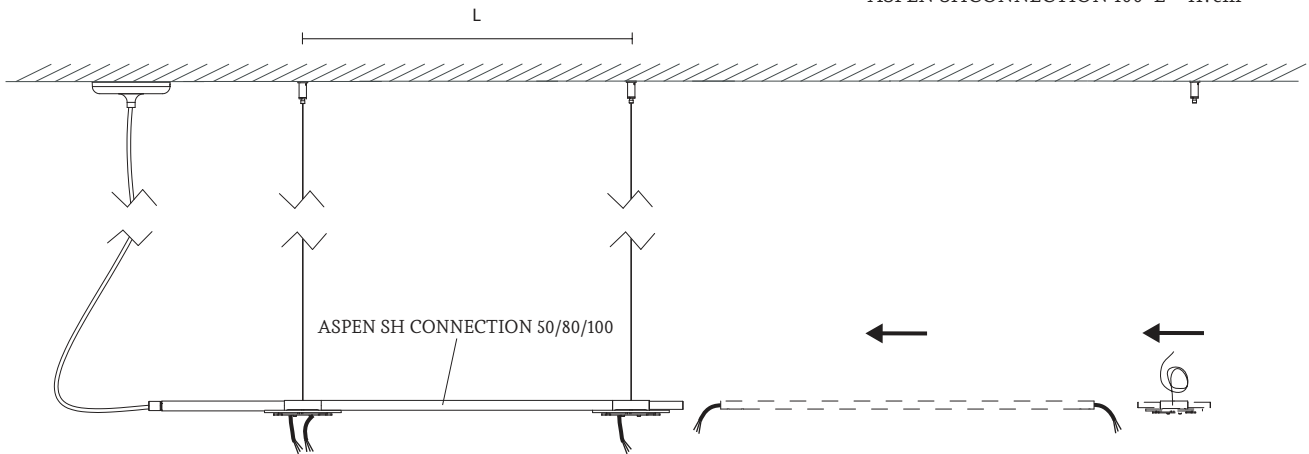
3. Remove the ceiling base plate (C) from the rosette (3.1). Pass the power cable through the hole in the middle of the base plate (C) and secure it to the ceiling using the fixings and bolts supplied (3.2). Connect it to the power system (3.3). Fix the rosette to the base plate (3.4) Screw together (3.5)
4. Insert the base plate (D) of the "Aspen SH LED or E27" through the tube (E) of the "Aspen power supply". Pass the power cable through the base plate (D). Tighten the stud bolts to secure the base plate (D). Tie the holder (F) to the ceiling. Hang the base plate (D) from the ceiling, inserting the steel cable into the holder (F).

5.



6.

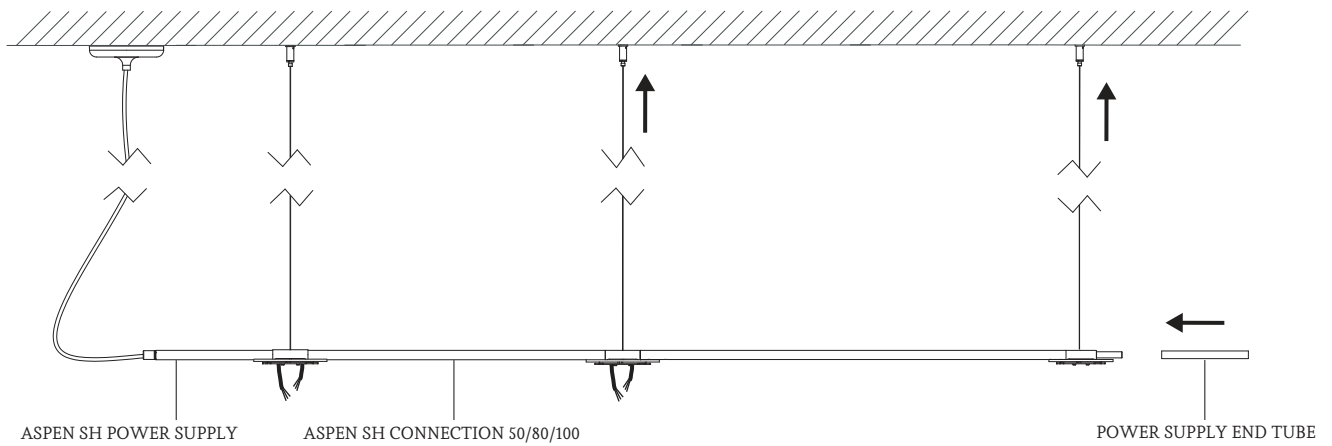
ASPEN SH CONNECTION 50 L = 57cm
ASPEN SHCONNECTION 80 L = 87cm
ASPEN SHCONNECTION 100 L = 117cm



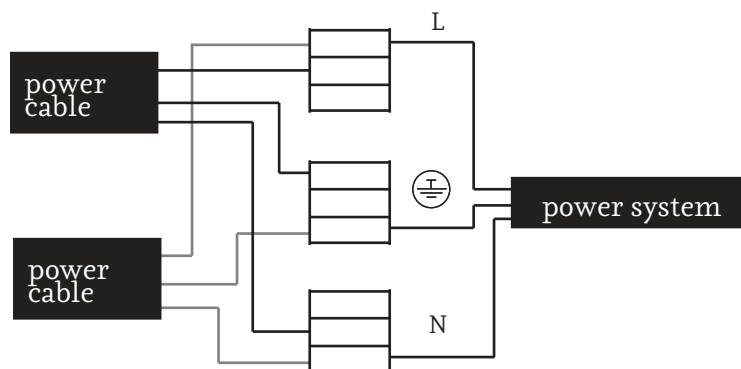
5. Assembly of "Aspen SH Connection": Insert the base plate (D) of the "Aspen SH LED or E27" through the tube (E) of the "Aspen SH Connection 50/80/100". Pass the power cable through the base plate (D). Align the drills and tighten the stud bolts to secure the base plate (D).

6. Continue to assemble the "Aspen SH Connection" and remaining base plates (D). This can be assembled level with the floor and after hanging all or part of the unit, inserting the steel cables into their respective holders (F) that have already been installed.

7.



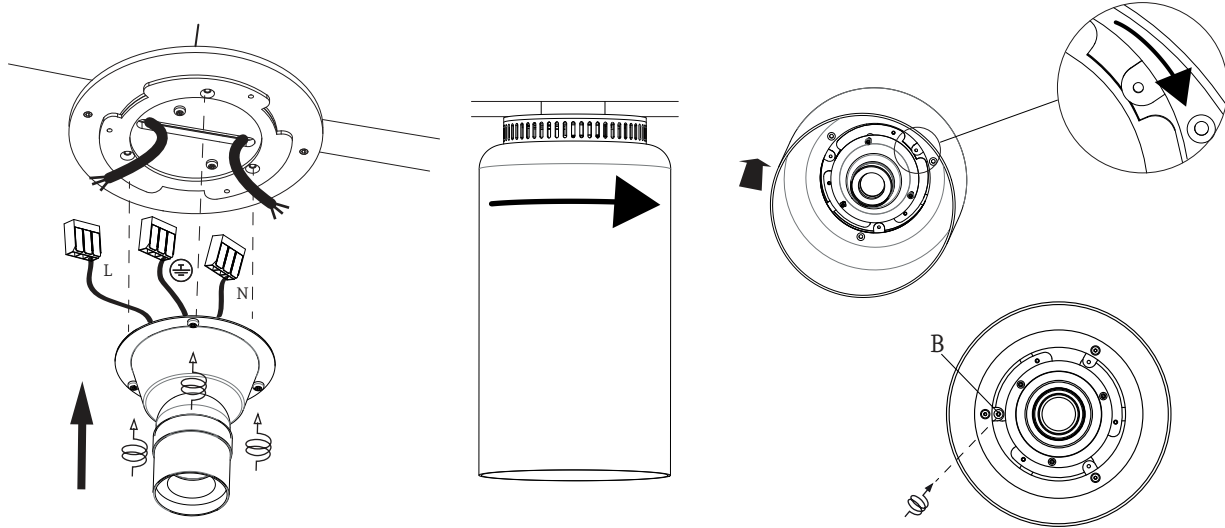
8.



7. Complete the installation by placing the end tube of the "Aspen SH Power Supply".
8. Connect it to the power system.

9.

ASPEN SH E27



9. ASPEN SH E27: Screw the bulb holder into its position. Place the shade and turn it until it goes no further. Secure the shade by tightening the screw (B).

Lamps without the IP mark are classed as IP20 and are designed for general indoor use, except wet areas (bathrooms, etc.)

- Lamps with the IP mark are designed for outdoor use and in wet areas. (E.g. IP54)
- They offer guaranteed protection to people and animals against electric shocks:

Class I: through single electrical insulation and an earthing conductor once correctly connected.



Class II: through double electrical insulation.



Class III: these kinds of lamps should be connected at very low voltage levels (generally 12V); therefore there is no risk.



• Lamps with this symbol, or without any symbols, can be mounted directly onto normally inflammable surfaces.



• Lamps with this symbol cannot be mounted directly onto normally inflammable surfaces.

• The safety of this lamp is guaranteed by using a maximum wattage bulb that does not exceed the figure displayed visibly on the lamp.



• The product cannot be treated like conventional domestic waste; it must be taken to the appropriate recycling station for electrical and electronic equipment.