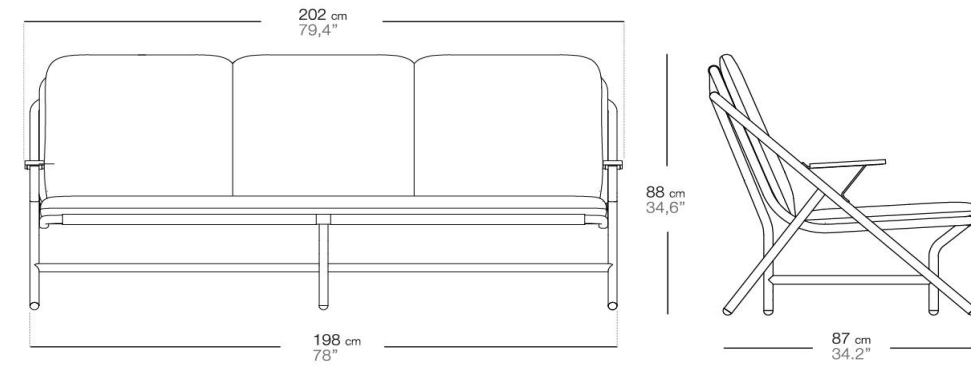


bivaq



Garda 3 seater sofa is available without armrests, aluminum or iroko wood armrests

TECHNICAL DATA

GARDA 3 SEATER SOFA
Designer: Joan Gaspar

202x88x54 cm
79.4x34.6x34.2"

FRAME	Material	Extruded aluminum
	Finish	Polyester powder coating
CUSHIONS	Only available with cushion. Removables.	
	Material	Polyurethane foam
	Composition	100% polieter fiber
	Density	25 Kg/m3
CUSHIONS FABRIC	Material	Acrylic fabric: 100% solution dyed acrylic with stain and water repellent finish. Washable at 30° C., open air drying. Vinytex fabric: synthetic fabric made of plastic coated polyester.
	UV resistance	Class. 7/8
	Color fastness	5 (clasif. máx. 5)
FABRICS and PAINTING COLORS	Fabrics	More than 30 availables fabrics in our Bivaq current catalog.
	COM Fabric	
	Powder coating colors	More than 15 availables p. coating colors in our Bivaq current catalog.
ADDITIONAL ITEMS	Waterproof cover	
MANTEINANCE	Powder coating aluminum	Clean the surface regularly with warm water and neutral soap. Use a non-abrasive sponge or cloth. Rinse with plenty of water immediately after cleaning.
	Cushions	It is recommended to clean it with a water humid sponge or clothe and a little bit of neutral soap. diluted in large quantity of water. If this doesn't work, use a soft brush instead of a cloth, to rub the stain. Be careful and do not use hard chemicals products that can affect the fibers.
BOX WEIGHT - VOLUME		
COM FABRIC (137cm width)		
OTHERS		Suitable for outddor use. Resistant to weathering and sunlight.
COUNYTRY OF ORIGIN		Designed and manufactured in Barcelona, Spain

Av. J.V. Foix 72-74
08034 Barcelona
Spain
Tel.: +34 93 205 75 95
info@bivaq.com
www.bivaq.com