

50 YEARS of experience delivering emotions through light. Design is our present and our future, and we look forward to continue bringing light to brighten life.



estiluz[®]

50 YEARS OF UNIQUE LIGHTING

SINCE 1969

(ENG) Our society is one of fluid change, innovation, and quick evolution... we ask ourselves every day what can we do differently, what can we do better. After 50 years manufacturing high-end lighting, everything has changed: our standard models, our made to order services, our team work, our collaborative projects, our image, but there is something that hasn't changed: our superb craftsmanship and metal work.

Each Estiluz light is an object as skillfully crafted as jewelry and manufactured with devotion to quality.

(ESP) Nuestra sociedad se caracteriza por su dinamismo y constante evolución, lo que nos lleva a preguntarnos todos los días qué podemos hacer de manera diferente, qué podemos hacer mejor. Después de 50 años fabricando iluminación decorativa de alta gama, todo ha cambiado: nuestros diseños, nuestros productos personalizados, nuestro trabajo en equipo, nuestros proyectos de colaboración e incluso nuestra imagen, pero hay algo que no ha cambiado: nuestros excelentes acabados y la impecable manipulación del metal.

Cada lámpara de Estiluz es un objeto pensado y diseñado como una joya, fabricado con la más alta calidad y prestando atención a cada detalle.

OWN MANUFACTURING / FABRICACIÓN PROPIA



OWN MANUFACTURING / FABRICACIÓN PROPIA

CUSTOMIZATION / PERSONALIZACIÓN



MATERIALS / MATERIALES

QUALITY CONTROL / CONTROL DE CALIDAD



TECHNOLOGY / TECNOLOGÍA



OiKo Design Office

Estiluz realizes designs that are user-oriented, with meticulous attention to manufacture. Above all, keeping a handmade sensibility.



Nahtrang Studio

The Estiluz team is tireless and their deep connection to product quality translates into sensitivity, precision and great attention to detail.



Goula / Figuera

Working with Estiluz allows us to consider the future from a tradition of things done well.



Estudi{H}ac

Estiluz is the perfect cocktail, combining a passion for light with experience and creativity.



Serge & Robert Cornelissen

Estiluz's objective is the refinement of each design's proportion and finish



Serra&delarocha

Estiluz consistently innovates and takes risks without losing sight of its mission, offering an honest, quality product. An example for others.



Jordi Blasi

This new generation of artisans understands form not only as a universal language but as an instrument to translate concepts and emotions into its lighting.



Joan Cinca

Estiluz combines craft with passion.

Crouscalogero

In Estiluz, passion for design and industry challenges come together to make light an essential element to communicate emotion.



Ximo Roca Diseño

Experience, quality, professionalism, warmth, versatility, functionality and innovation.



Estudi Ribaudí

Estiluz maintains the craft, intelligence and means to build their products. What luxury!



Oriol Guimerà

The project of a family in love with the light



Gabriel Teixidó

Estiluz is ... the mountains, light, friendship, fine cured meats, design: the good things in life!



Josep Lluís Xuclà

Design and light — the lamp is where form and function meet. It has two lives, day and night.

Zachi Jacobovich

Estiluz is another word for high quality, with focus on the smallest details.



Leonardo Marelli

Estiluz is my passion, my life... my third child.



LIGHTING

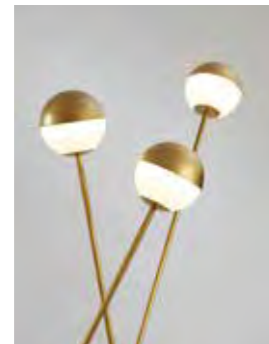
(ENG) Life's special moments and its everyday events are made memorable by mood and ambience: intimate, candle-lit dinners, sunny days at play, softly lit evenings. The quality of light changes mood and memory. Light can furnish a room with color and texture, so we create our collections of contemporary lighting with loving attention to detail.

(ESP) Los acontecimientos cotidianos de la vida y sus momentos especiales se convierten en memorables gracias a la experiencia de los sentidos: cenas románticas con la suave luz de una vela, juegos bajo un sol radiante o noches iluminadas por la luna llena. La calidad de la luz cambia el estado de ánimo y la memoria llenando una sala de color y textura, por lo que creamos nuestras colecciones con una cuidadosa atención a los detalles.

COLLECTIONS



CIRC 20



ALFI 92



ASANA 122



FLOW 132



LAVERD 148



REVOLTA 154



VOLTA 176



PILA 206



ARO 216



BUTTON 232



ECLIPSI 246



NIT 254



CANUT 258



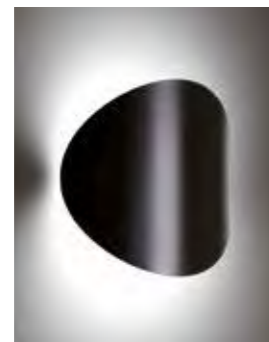
CORNET 264



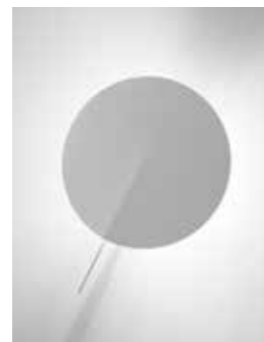
LEO 270



MAINE 274



LUNE 288



OBS 294



PIU 302



EMMA 306

COLLECTIONS



LUCK 312



SISO 320



SISS 326



IRIS 328



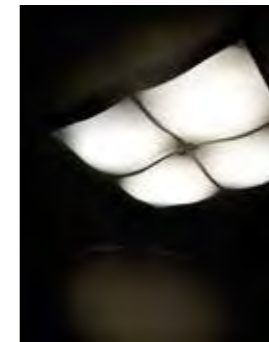
SMILE 340



BALLOON 344



DOT 350



BENT 354



MIKONOS 356



DUO 358



KANT 360



FOLIO 362



PLUMA 364



POULPE 368



NAN 372



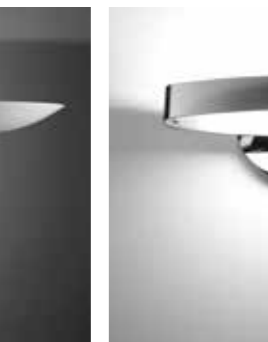
CARPET 376



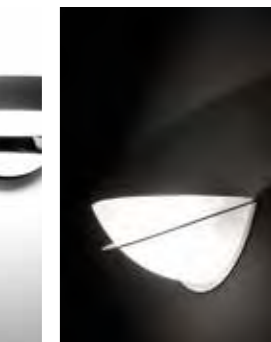
MOON 378



NÈBULA 380



ICONS 382



VENEZIA 390 ESSENTIALS 392

FUNCTIONAL INDEX

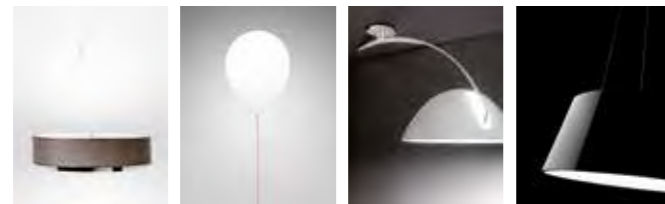
Suspensions / Suspensiones



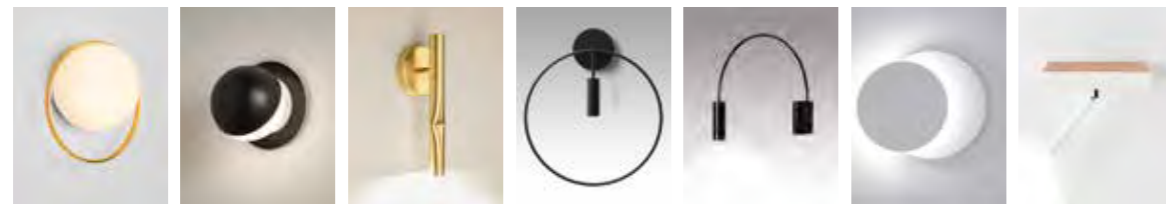
CIRC 60 ALFI 104 FLOW 140 LAVERD 152 REVOLTA 162 VOLTA 182 PILA 214



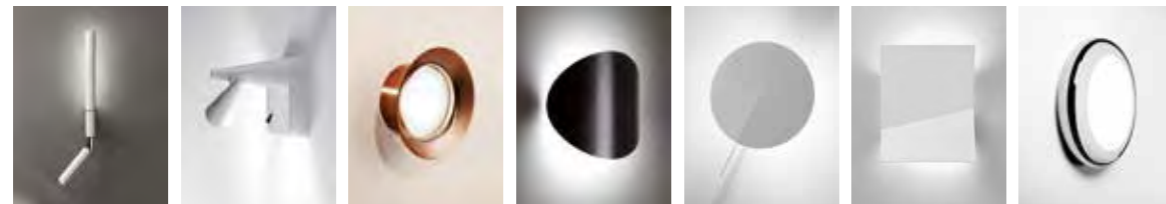
ARO 226 BUTTON 238 MAINE 286 OBS 300 EMMA 310 LUCK 318 SISO 324



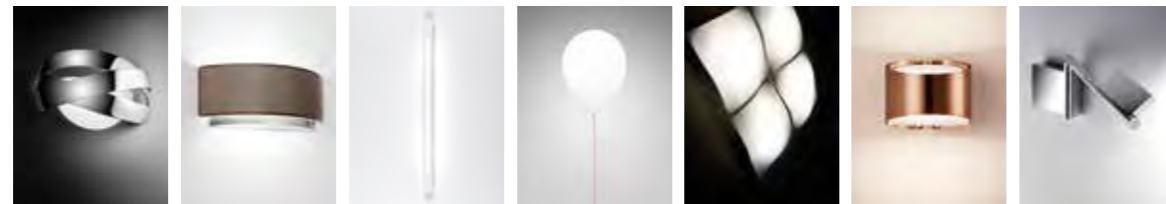
IRIS 330 BALLOON 348 PLUMA 366 POULPE 370



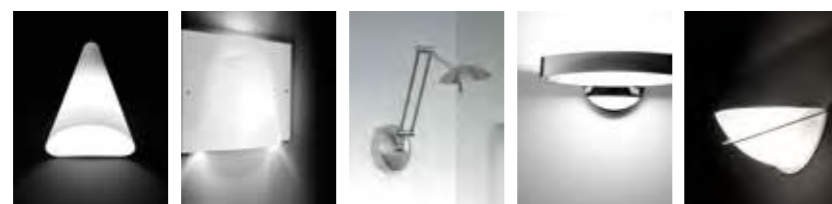
CIRC 50 ALFI 120 FLOW 146 REVOLTA 174 VOLTA 194 ECLIPSI 252 NIT 256



CANUT 262 CORNET 268 MAINE 286 LUNE 292 OBS 300 PIU 304 EMMA 310



SISO 324 IRIS 338 SMILE 342 BALLOON 348 BENT 355 MIKONOS 357 KANT 361

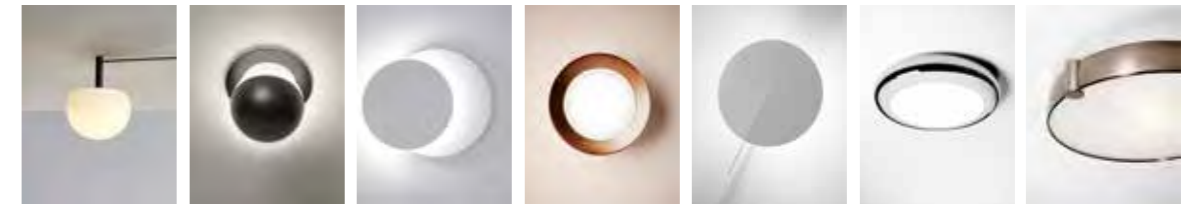


NAN 374 CARPET 377 ICONS 388 VENEZIA 391 ESSENTIALS 393

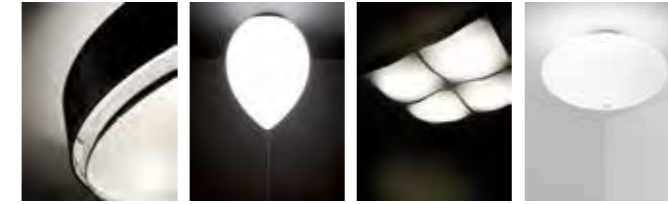
Wall lights / Apliques

FUNCTIONAL INDEX

Ceiling lights / Plafones

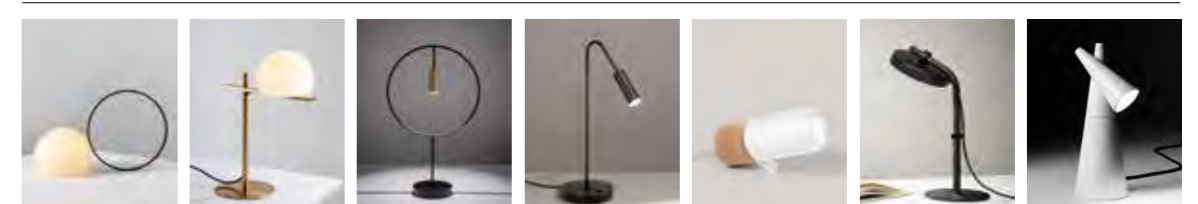


CIRC 66 ALFI 120 ECLIPSI 252 MAINE 286 OBS 300 EMMA 310 SISS 327



IRIS 334 BALLOON 348 BENT 355 NÉBULA 381

Table lamps / Sobremesas

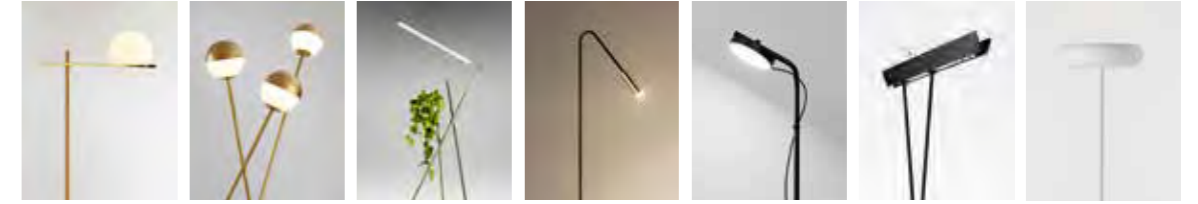


CIRC 30 CIRC 40 REVOLTA 174 VOLTA 204 PILA 214 ARO 230 CORNET 268



SISO 324 IRIS 334 FOLIO 363 ICONS 388

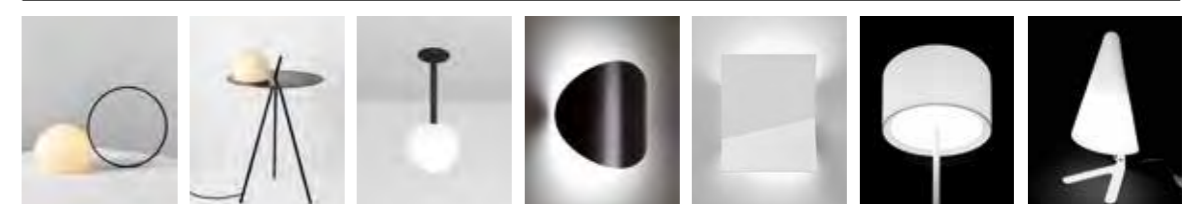
Floor lamps / Pies



CIRC 40 ALFI 104 ASANA 130 VOLTA 204 ARO 230 LEO 272 EMMA 310



IRIS 334 DOT 352 DUO 359 PLUMA 366 POULPE 370 NAN 374 MOON 379 ICONS 386



CIRC 30/40/50 CIRC 40 CIRC 82 LUNE 292 PIU 304 DOT 352 NAN 374



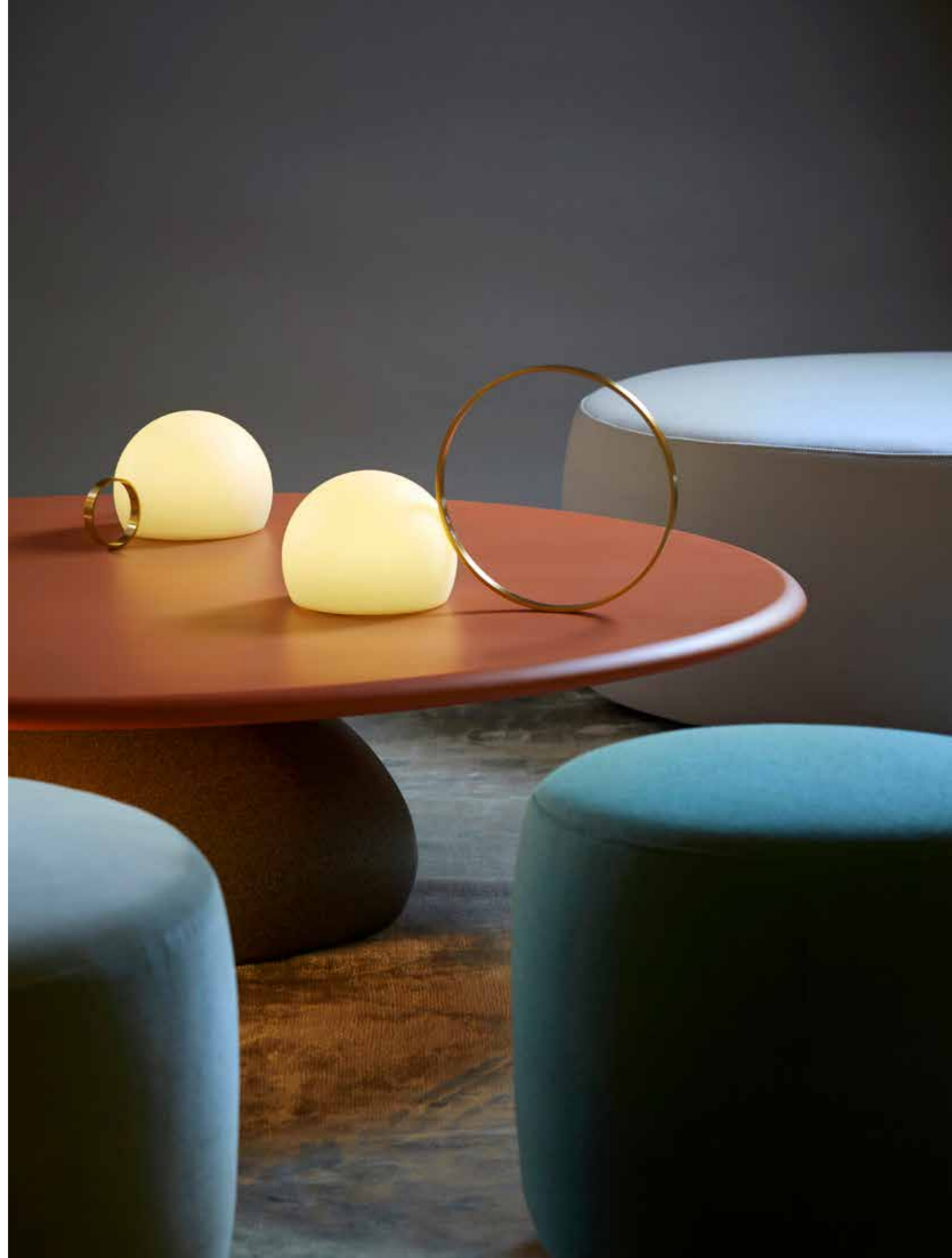




^(ENG) Balanced asymmetry defines these glowing hemispheres that light up an evening outdoors. A metal ring is both carrying handle and support for this portable, battery-operated light. ^(ESP) Una asimetría equilibrada caracteriza a estas semiesferas iluminadas ideales para una noche al aire libre. El anillo de metal es a la vez asa y soporte para esta lámpara portátil que funciona con batería.



Portable light



Circ



Portable light

26



Circ

Circ

27

Portable light

^(ENG) Festive and easy to hang anywhere you want illumination. It's cordless so it can be used independent of outlets, indoors and outdoors. ^(ESP) Festiva y fácil de colgar en cualquier lugar que se quiera iluminar. Incorpora batería, lo que facilita su utilización donde no existen enchufes, tanto en interior como exterior.



Portable light

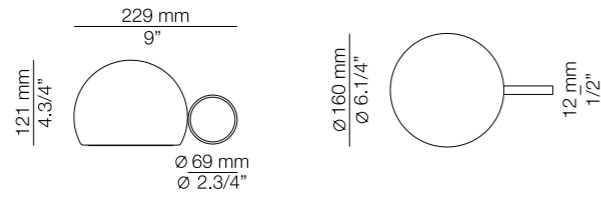
Circ



CIRC

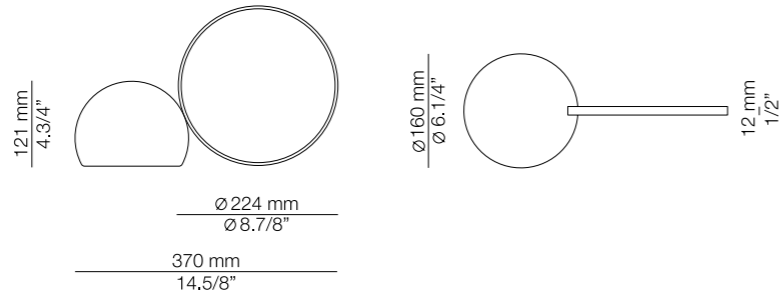
M-3726X

LED 2,5W **A+**
(3000K / Ang.120° / >80CRI
2x2500mAh) 230V / Typ* 290 lumens
Polyethylene shade



M-3727X

LED 2,5W **A+**
(3000K / Ang.120° / >80CRI
2x2500mAh) 230V / Typ* 290 lumens
Polyethylene shade



Finish indoor

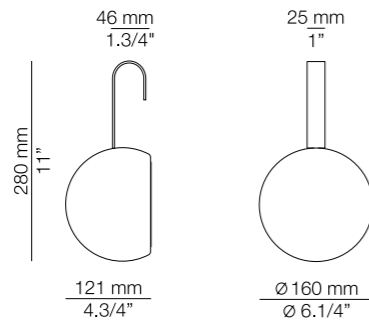
- 61 S GLD
- 26 BLK
- 80 RT

Finish outdoor

- 26 BLK
- 80 RT

M-3826X

LED 2,5W **A+**
(3000K / Ang.120° / >80CRI
2x2500mAh) 230V / Typ* 290 lumens
Polyethylene shade



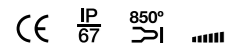
Finish outdoor

- 46 M GN
- 78 OX RD

Additional

Li ion battery / Induction charging base
Three position dimming / Remote control
Battery charging time 8-10h
Battery life over 6h maximum brightness

Photographs may show non-standard products.



Hotel Alma Barcelona





^(ENG) Circ offers a table and floor lamp with each hemisphere in balance on their metal bases. ^(ESP) La colección Circ dispone de una estilizada lámpara de sobremesa y su versión de pie con una semiesfera descansando en equilibrio sobre su base metálica.



Table lamp

Circ





Table with light

36

Circ



Circ

37

Floor lamp



Table with light



^(ENG) Our outdoor metal table has an illuminated sphere, with plug and a practical handle for portability. ^(ESP) Circ ofrece una original e innovadora mesa con un punto de luz integrado en la propia estructura y una práctica asa para facilitar su portabilidad, uniendo el diseño y la funcionalidad en un solo producto.

CIRC

M-3728

LED 8W **A+**
 (2700K / Ang.120° / >90CRI)
 230V / Typ* 554 lumens
 Glass shade
 On/Off cord switch

Finish indoor

- 26 BLK
- 61 S GLD

p-3729

LED 8W **A+**
 (2700K / Ang.120° / >90CRI)
 230V / Typ* 554 lumens
 Glass shade
 On/Off cord switch

Finish indoor

- 26 BLK
- 61 S GLD

M-3725

LED 8W **A+**
 (2700K / Ang.120° / >90CRI)
 230V / Typ* 554 lumens
 Glass shade
 On/Off cord switch

Finish indoor

- 26 BLK

Additional

We offer custom finishes, sizes, and alternate lamping for projects.

Photographs may show non-standard products.



M-3728X

LED 8W **A+**
 (2700K / Ang.120° / >90CRI)
 230V / Typ* 554 lumens
 Polyethylene shade

Finish outdoor

- 26 BLK
- 80 RT

p-3729X

LED 8W **A+**
 (2700K / Ang.120° / >90CRI)
 230V / Typ* 554 lumens
 Polyethylene shade

Finish outdoor

- 26 BLK
- 80 RT

M-3725X

LED 8W **A+**
 (2700K / Ang.120° / >90CRI)
 230V / Typ* 554 lumens
 Polyethylene shade

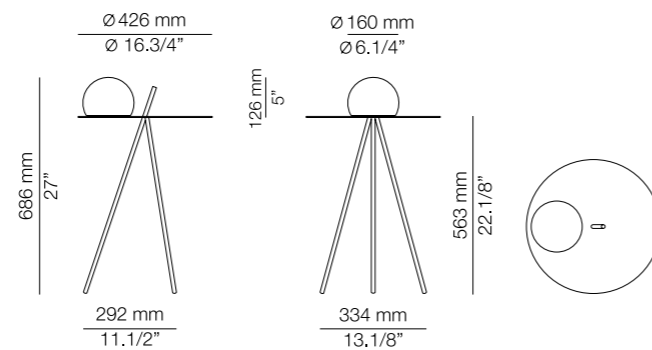
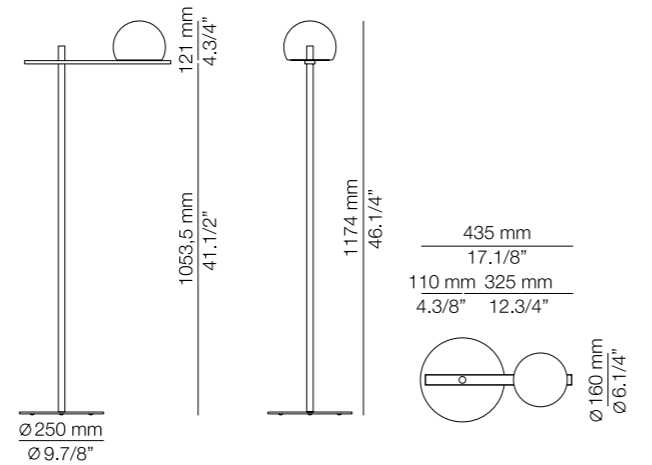
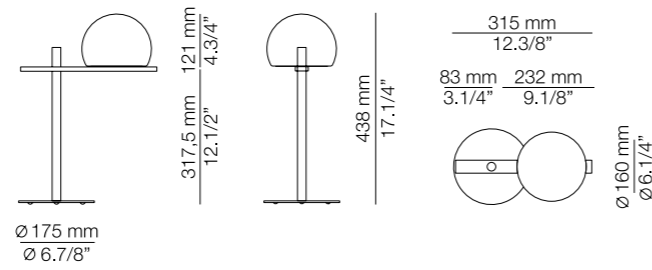
Finish outdoor

- 26 BLK

Additional

We offer custom finishes, sizes, and alternate lamping for projects.

Photographs may show non-standard products.



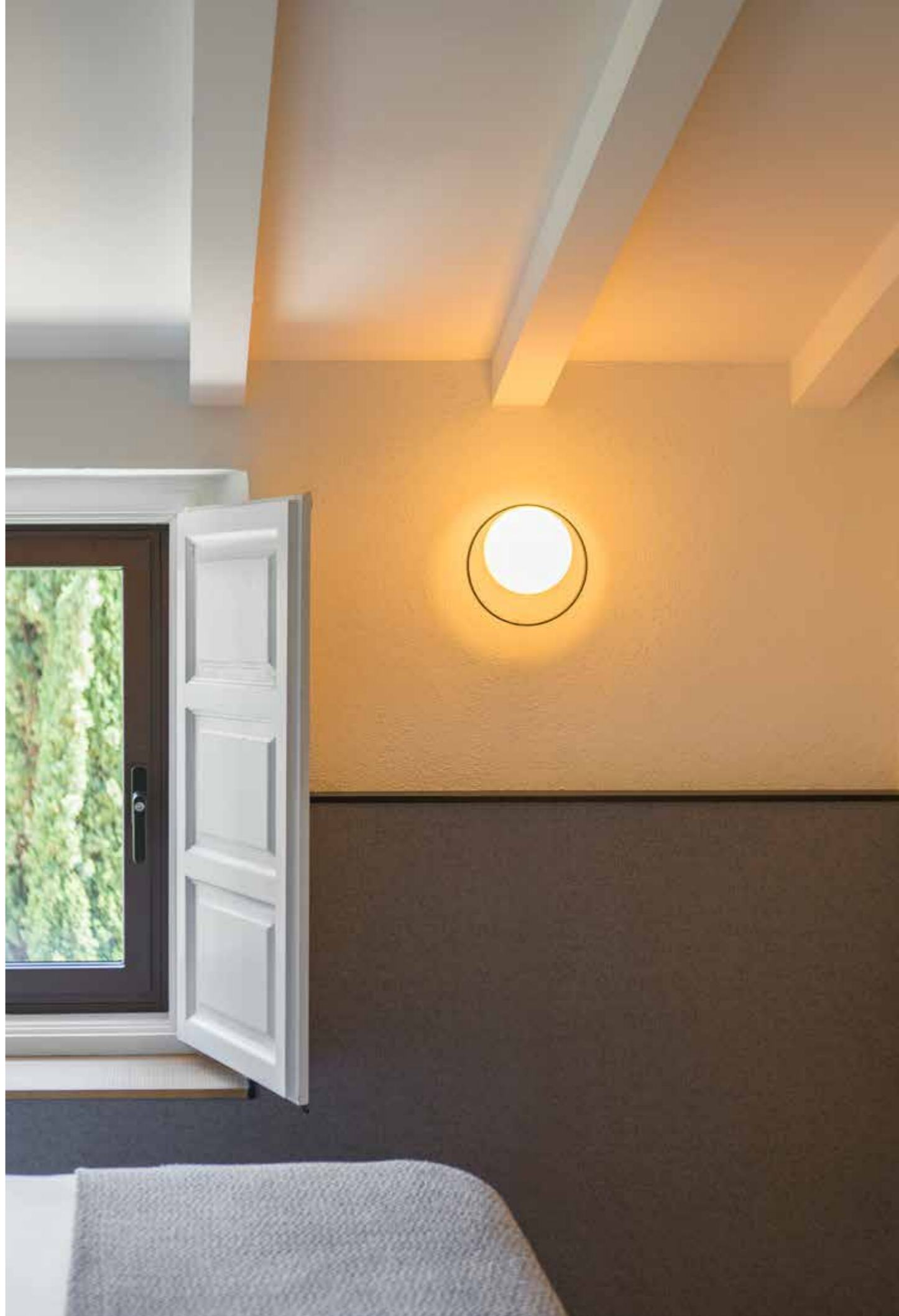


^(ENG) Sconce globes can be encircled with a slender metal ring or balanced on a metal bar. Indoor uses include hallways and bathrooms. Outdoor versions illuminate walkways and terraces. ^(ESP) Una semiesfera de cristal iluminada mantiene su equilibrio dentro de un anillo o de un soporte lineal de metal. Los usos interiores incluyen pasillos y baños, las versiones para exterior iluminan los pasillos y terrazas.





Hotel Terra Dominicata by @blackvelvetstudio_bcn





Wall light

46

Hotel Terra Dominicana by @blackvelvetstudio_bcn

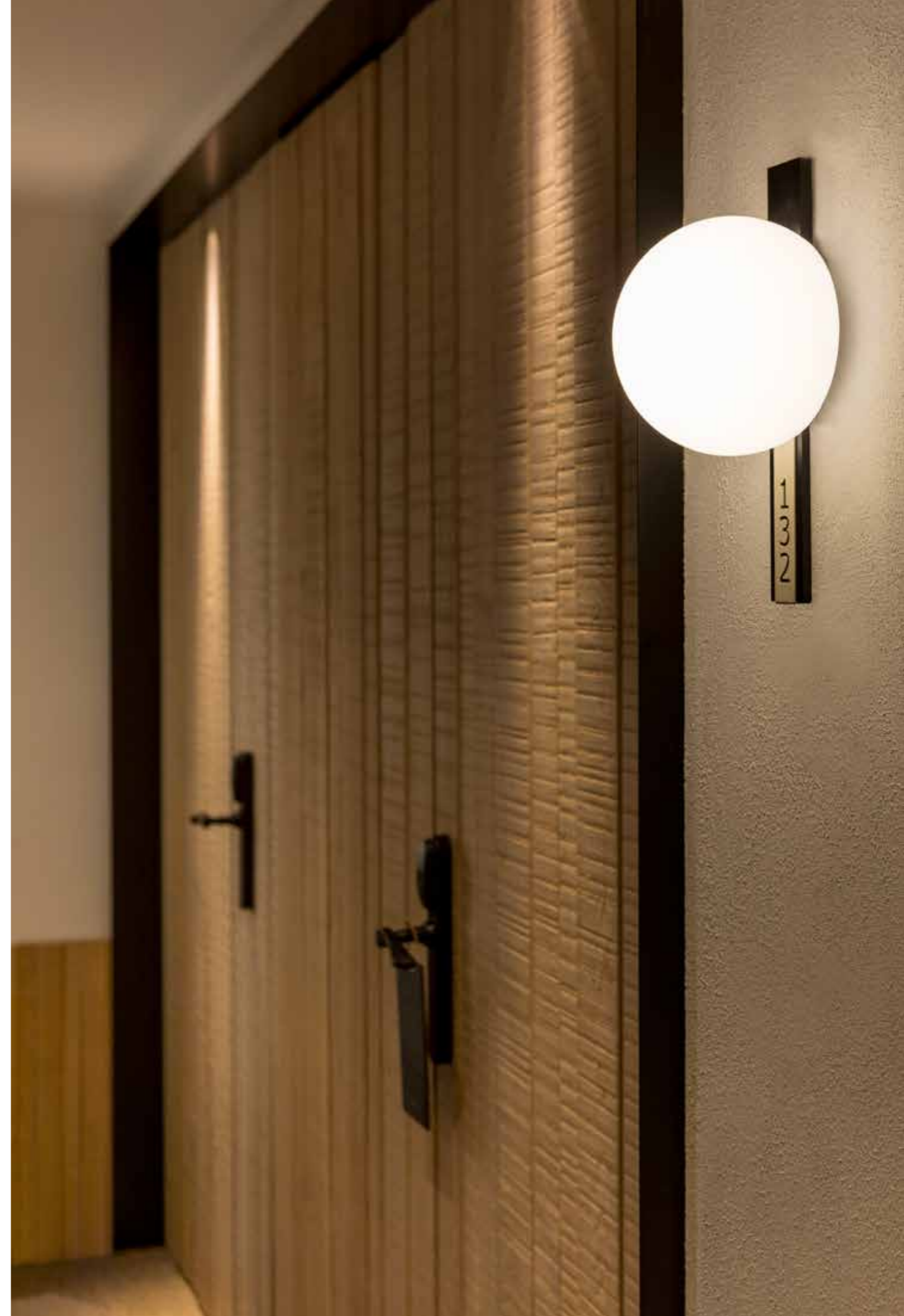


Circ

^(ENG) The sconce's metal bar also supports and illuminates signage. A beautifully functional solution for hotels and resorts. ^(ESP) El soporte de metal permite incluir señalización iluminada por la suave luz de la semiesfera, ofreciendo una solución elegante, a la par que funcional, para hoteles y resorts.



Hotel Terra Dominicana by @blackvelvetstudio_bcn



CIRC

A-3722

LED 10W **A+**
 (2700K / Ang.120° / >90CRI)
 230V / Typ* 730 lumens
 Dimmable Triac
 Glass shade

Finish indoor

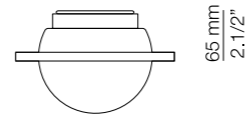
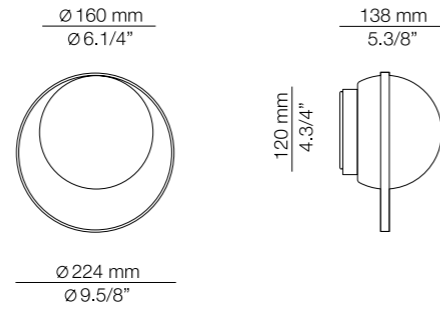
- 26 BLK
- 61 S GLD

A-3722X

LED 8W **A+**
 (2700K / Ang.120° / >90CRI)
 230V / Typ* 554 lumens
 Dimmable Triac
 Polyethylene shade

Finish outdoor

- 26 BLK
- 80 RT



A-3720

LED 10W **A+**
 (2700K / Ang.120° / >90CRI)
 230V / Typ* 730 lumens
 Dimmable Triac
 Glass shade

Finish indoor

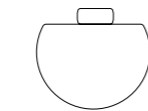
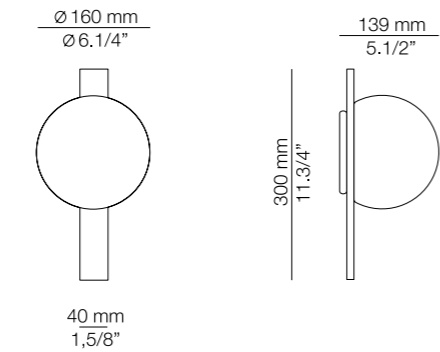
- 26 BLK
- 61 S GLD

A-3720X

LED 8W **A+**
 (2700K / Ang.120° / >90CRI)
 230V / Typ* 554 lumens
 Dimmable Triac
 Polyethylene shade

Finish outdoor

- 26 BLK
- 80 RT



Additional

We offer custom finishes, sizes, and alternate lamping for projects.
 Contract option minimum quantity required.

Photographs may show non-standard products.



Additional

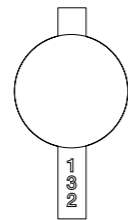
We offer custom finishes, sizes, and alternate lamping for projects.
 Contract option minimum quantity required.

Photographs may show non-standard products.



Contract option

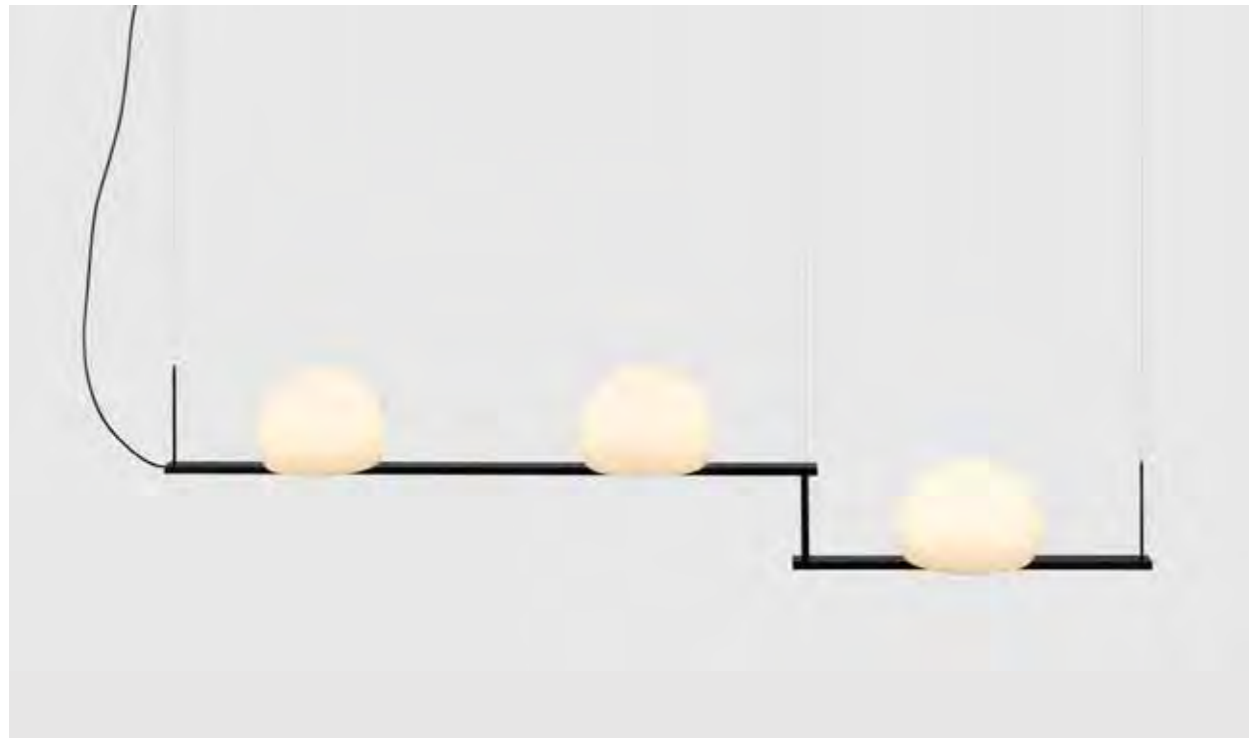
Wall light with laser cut signage





(ENG) Like the acrobat poised on a trapeze, this suspension lamp is perfectly balanced and versatile. Its flexibility is demonstrated on installation when it can be installed facing up or down, at an angle or even linked for a longer unit. (ESP) Igual que un acróbata en su trapecio, la lámpara de suspensión Circ evoca equilibrio y flexibilidad. Esta ligera y elegante suspensión demuestra su versatilidad en el momento de su instalación, ofreciendo la posibilidad de colocarse iluminando hacia arriba o hacia abajo, en ángulo o conectando varios de sus tamaños disponibles para crear composiciones.





Suspension

54



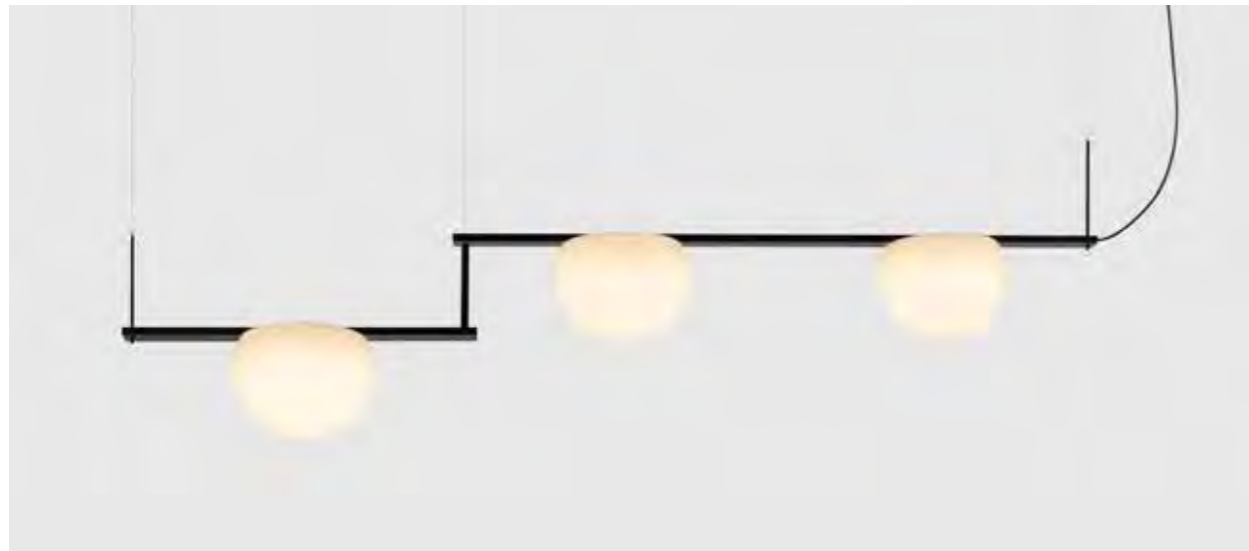
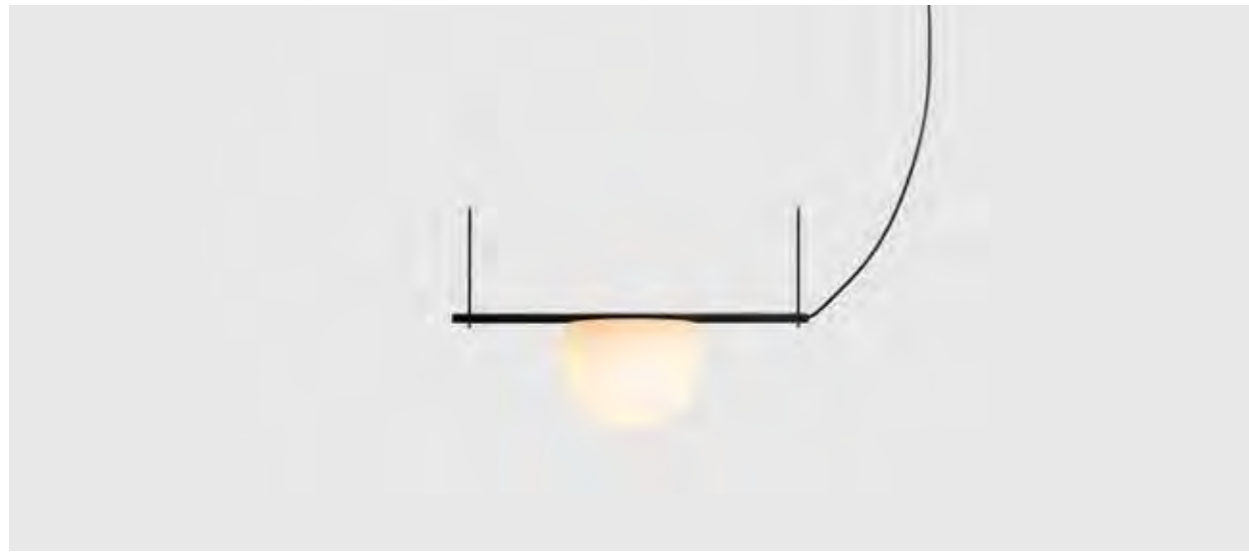
Circ

Circ

55

Suspension





Suspension

56 & 59 / Hotel Terra Dominicana by @blackvelvetstudio_bcn



Circ

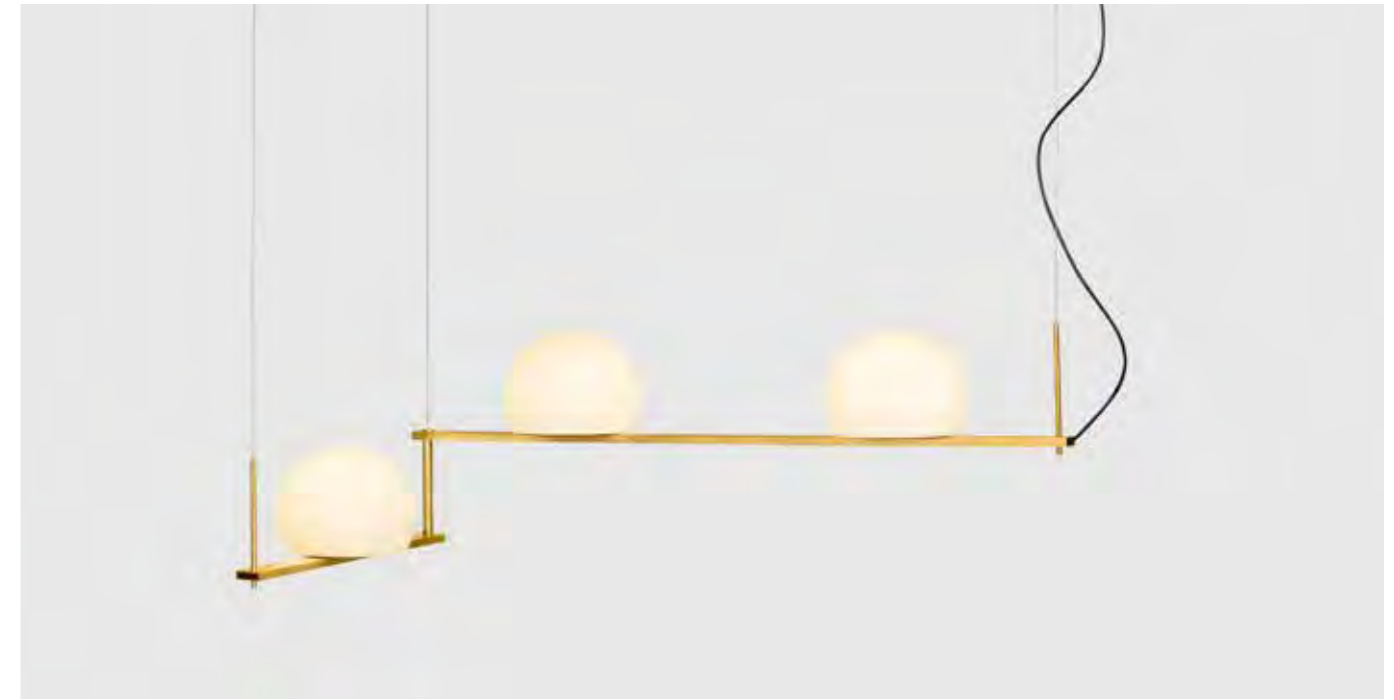
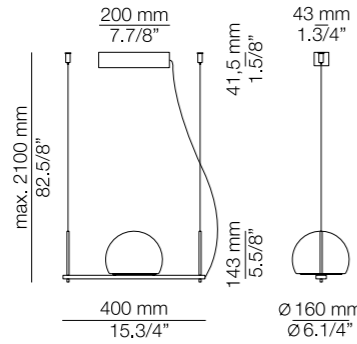
CIRC

T-3714

LED 6,1W **A+**
 (2700K / Ang.120° / >90CRI / 350mA)
 100V - 240V / Typ* 565 lumens
 Dimmable Triac
 Glass shade

Finishes

- 26 BLK
- 61 S GLD

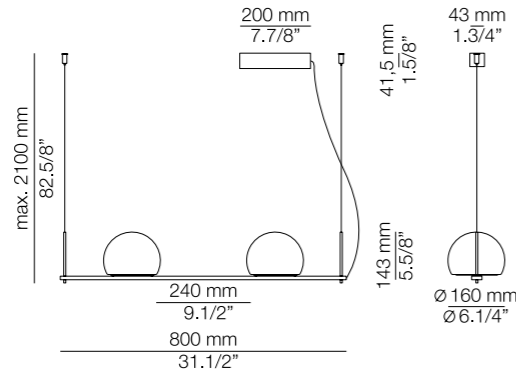


T-3715

LED 2x6,1W **A+**
 (2700K / Ang.120° / >90CRI / 350mA)
 100V - 240V / Typ* 2x565 lumens
 Dimmable Triac
 Glass shade

Finishes

- 26 BLK
- 61 S GLD

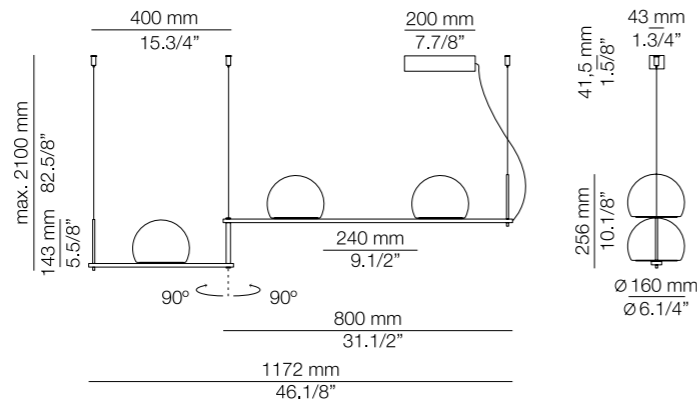


T-3716

LED 3x6,1W **A+**
 (2700K / Ang.120° / >90CRI / 350mA)
 100V - 240V / Typ* 3x565 lumens
 Dimmable Triac
 Glass shade

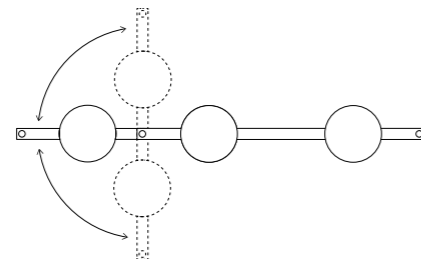
Finishes

- 26 BLK
- 61 S GLD



Additional

We offer custom finishes, sizes, and alternate lamping for projects.
 Photographs may show non-standard products.



^(ENG) A pivoting arm allows straight lines or angles for unique installations. Connect two suspension lights and create custom compositions that meander overhead to illuminate select areas. ^(ESP) Un brazo giratorio permite instalaciones únicas en línea recta o en ángulo. Conecta dos lámparas de suspensión para crear composiciones personalizadas que iluminen la zona deseada.



Ceiling light

62

Circ

Circ

63

Ceiling light

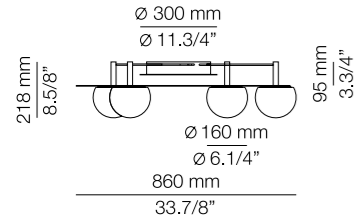
(ENG) Creating a spectacular effect with two rings of light, this dramatic modern chandelier for large spaces and high ceilings can be suspended or flush mounted. Acoustic panels can be inserted in the rings to soften noise in large rooms and restaurants. (ESP) Dos anillos de luz de diferente tamaño y a diferente altura forman una espectacular lámpara de araña, suspendida o como plafón. Una lámpara moderna y única ideal para grandes espacios, techos altos o estancias que requieran plafones muy luminosos. Todas sus versiones también se ofrecen con paneles acústicos para atenuar el ruido en grandes espacios y restaurantes.



CIRC

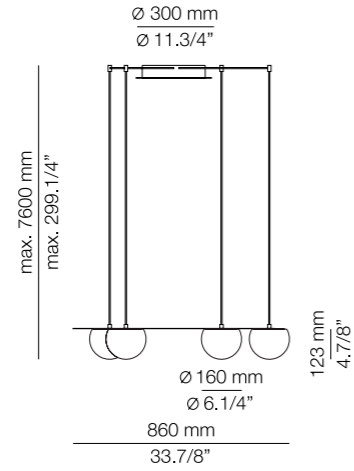
t-3810

LED 4x6,1W **A+**
 (2700K / Ang.120° / >90CRI / 350mA)
 100V - 240V / Typ* 4x565 lumens
 Dimmable Triac
 Glass shade



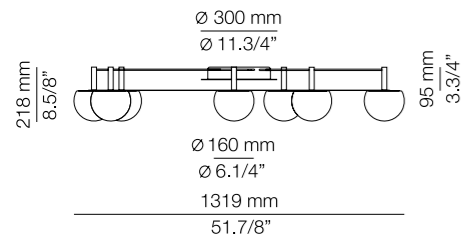
T-3815

LED 4x6,1W **A+**
 (2700K / Ang.120° / >90CRI / 350mA)
 100V - 240V / Typ* 4x565 lumens
 Dimmable Triac
 Glass shade



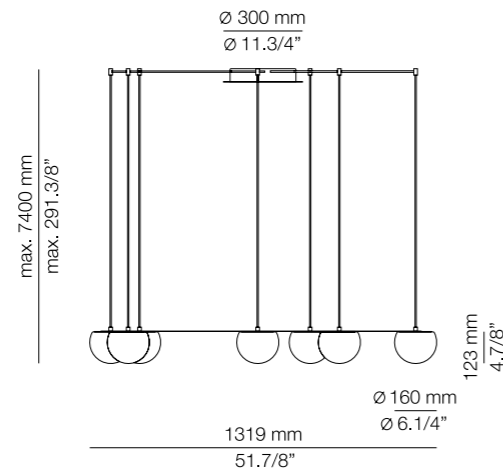
t-3811

LED 7x6,1W **A+**
 (2700K / Ang.120° / >90CRI / 350mA)
 100V - 240V / Typ* 7x565 lumens
 Dimmable Triac
 Glass shade



T-3816

LED 7x6,1W **A+**
 (2700K / Ang.120° / >90CRI / 350mA)
 100V - 240V / Typ* 7x565 lumens
 Dimmable Triac
 Glass shade



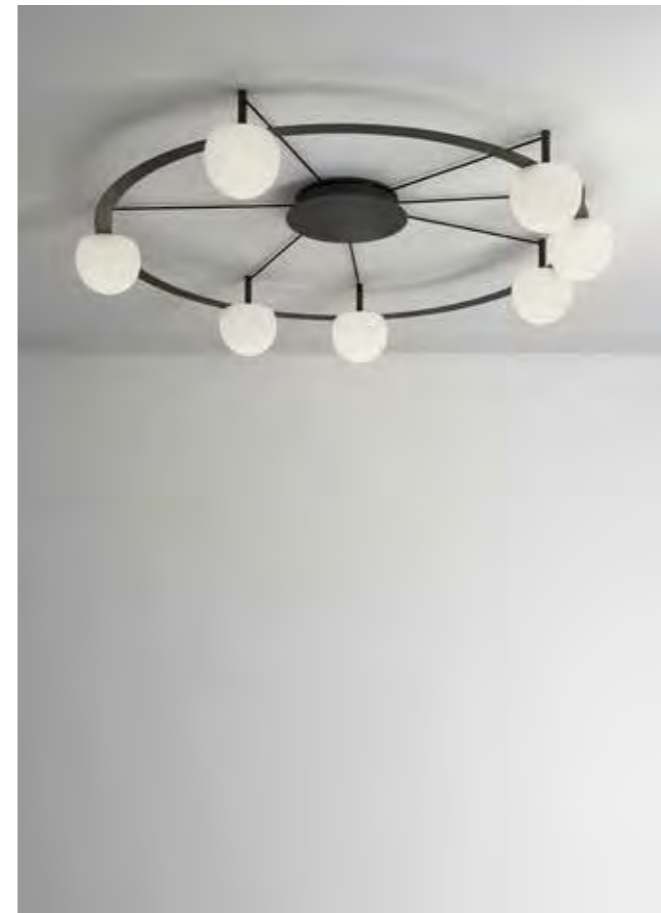
Finish Ring

- 26 BLK
- 61 S GLD

Additional

We offer custom finishes, sizes, and alternate lamping for projects.

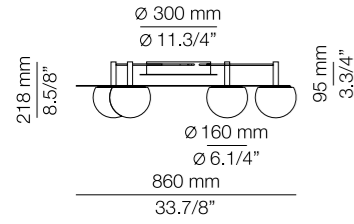
Photographs may show non-standard products.



CIRC

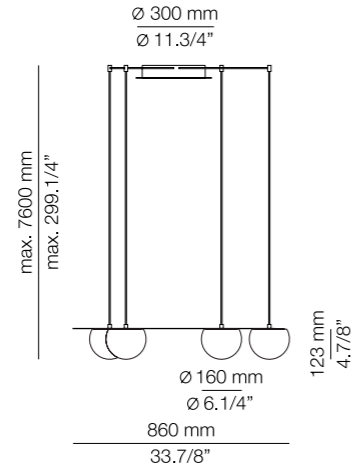
t-3810A

LED 4x6,1W **A+**
 (2700K / Ang.120° / >90CRI / 350mA)
 100V - 240V / Typ* 4x565 lumens
 Dimmable Triac
 Glass shade



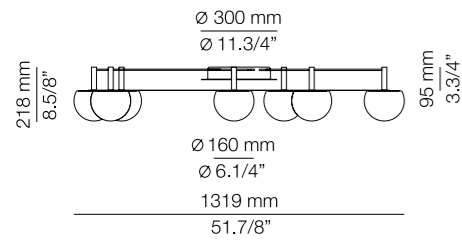
T-3815A

LED 4x6,1W **A+**
 (2700K / Ang.120° / >90CRI / 350mA)
 100V - 240V / Typ* 4x565 lumens
 Dimmable Triac
 Glass shade



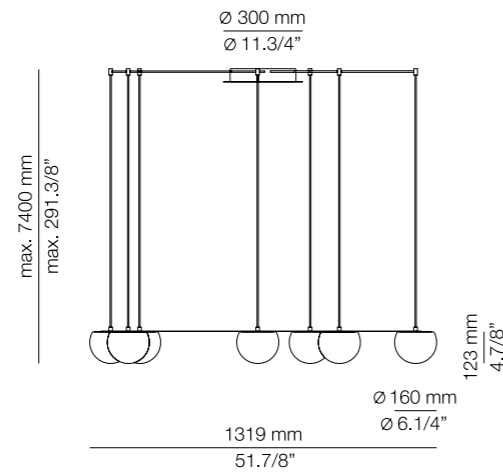
t-3811A

LED 7x6,1W **A+**
 (2700K / Ang.120° / >90CRI / 350mA)
 100V - 240V / Typ* 7x565 lumens
 Dimmable Triac
 Glass shade



T-3816A

LED 7x6,1W **A+**
 (2700K / Ang.120° / >90CRI / 350mA)
 100V - 240V / Typ* 7x565 lumens
 Dimmable Triac
 Glass shade



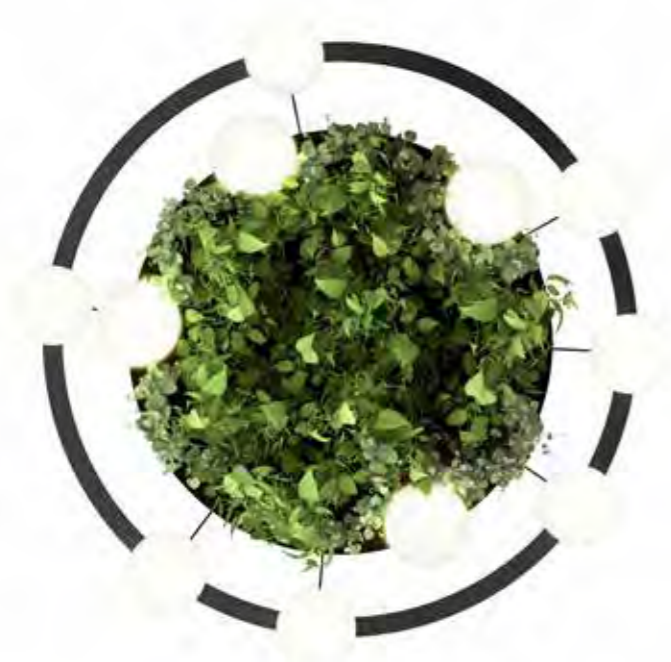
Finish Acoustic Panel

P.E.T. felt
 ● 26 BLK
 α=0.25

Additional

We offer custom finishes, sizes,
 and alternate lamping for projects.
 Photographs may show non-standard products.

CE Ⓢ IP 20 850°



^(ENG) Create your own design. Circ suspension light adds easy-care artificial greenery for a fresh and trending look to interiors. ^(ESP) Dale vida a tu luminaria y atrevete con la última tendencia en decoración, crea tu propio diseño combinando la suspensión Circ con vegetación artificial.



SUSPENSION

ACOUSTIC PANEL

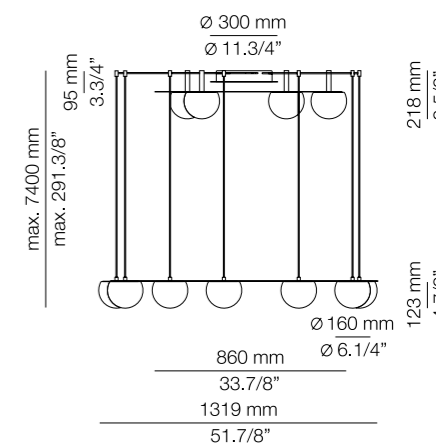
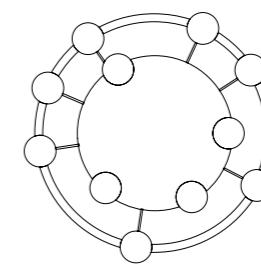
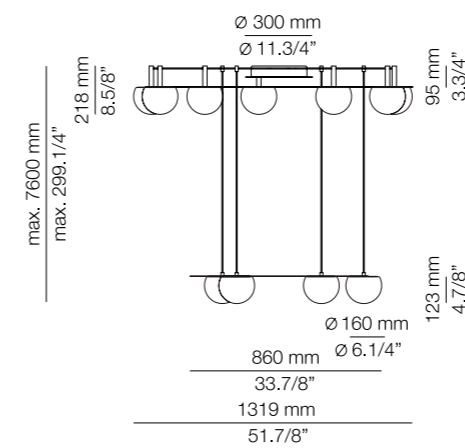
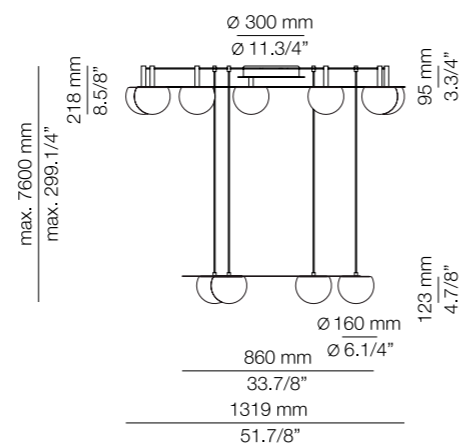
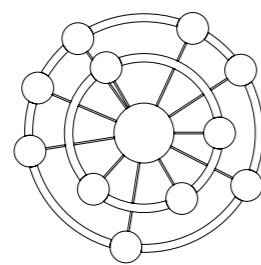
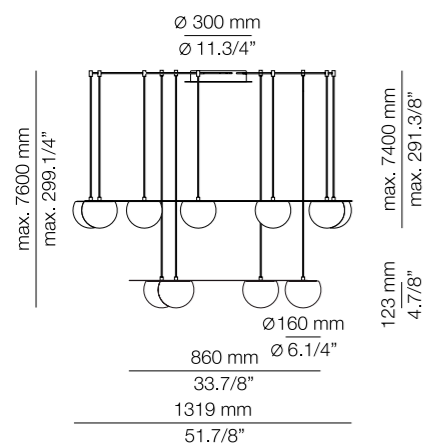


CIRC R30.1SP1MP

CIRC R30.1SP1MF

CIRC R30.1SPA1MF

CIRC R30.1SFA1MP





Suspension

74

Circ

Circ

75

Ceiling light

(ENG) Acoustic panels combined with light create a decorative cloud to reduce noise. Acoustic panels are flush mounted to the ceiling. (ESP) Paneles acústicos, colocados como plafón y combinados con semiesferas de luz crean una original figura que aporta carácter al espacio y al mismo tiempo merma el ruido de la sala.

CIRC

t-3825

LED 5x6,1W **A+**
 (2700K / Ang.120° / >90CRI / 350mA)
 100V - 240V / Typ* 5x565 lumens
 Dimmable Triac
 Glass shade

Finish Acoustic Panel

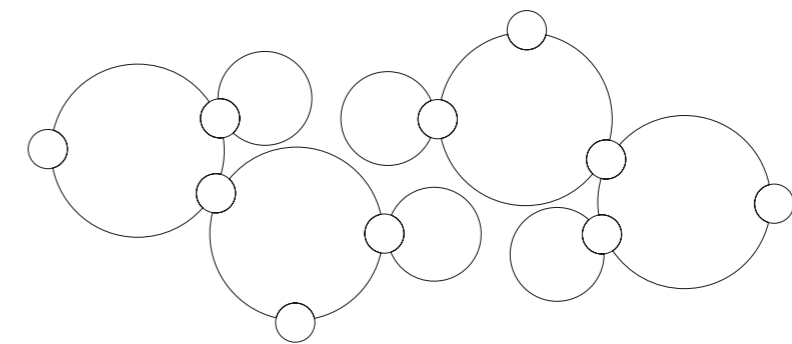
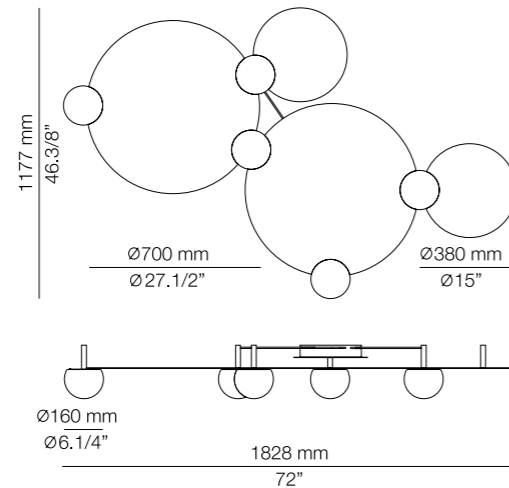
P.E.T. felt
 ● ● 26 BLK & 55 BG
 (α=0.25)

Additional

We offer custom finishes, sizes, and alternate lamping for projects.

Photographs may show non-standard products.

CE  



(ENG) Create your own custom composition combining several t-3825.
 (ESP) Crea tu propia composición con la suma de varias t-3825.

(ENG) With a single, versatile canopy, several glass hemispheres sprawl across a ceiling in custom patterns to illuminate specific areas. The cables connecting the lights are offered in different lengths while the lights are suspended on metal stems. Infinite configurations can be created from this simple and functional design. (ESP) Con un único florón, varias semiesferas de cristal se extienden por el techo creando composiciones personalizadas para iluminar áreas específicas. Las pantallas quedan suspendidas en vástagos de metal, y los cables que las conectan permiten crear infinitas configuraciones a partir de un diseño simple y funcional.



t-3821R



t-3820R



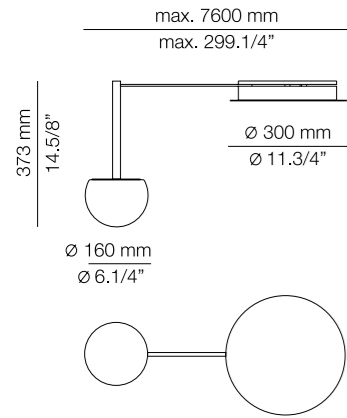
CIRC R12.1S1M



CIRC

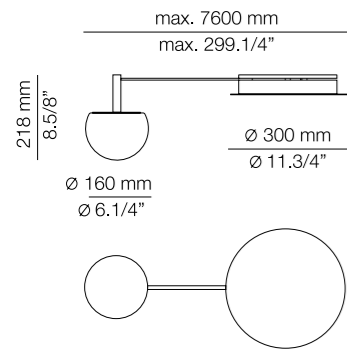
t-3821S

LED 6,1W **A+**
 (2700K / Ang.120° / >90CRI / 350mA)
 100V - 240V / Typ* 565 lumens
 Dimmable Triac
 Glass shade



t-3820S

LED 6,1W **A+**
 (2700K / Ang.120° / >90CRI / 350mA)
 100V - 240V / Typ* 565 lumens
 Dimmable Triac
 Glass shade



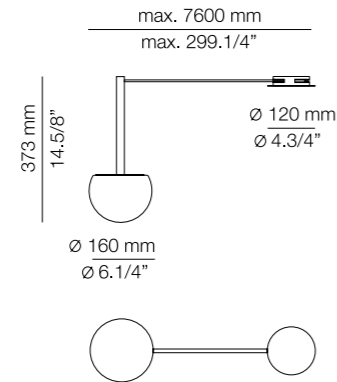
Additional

We offer custom finishes, sizes,
 and alternate lamping for projects.
Photographs may show non-standard products.



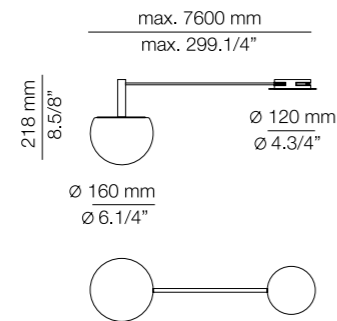
t-3821R

LED 6,1W **A+**
 (2700K / Ang.120° / >90CRI / 350mA)
 100V - 240V / Typ* 565 lumens
 Dimmable Triac / Remote driver
 Glass shade



t-3820R

LED 6,1W **A+**
 (2700K / Ang.120° / >90CRI / 350mA)
 100V - 240V / Typ* 565 lumens
 Dimmable Triac / Remote driver
 Glass shade



Additional

We offer custom finishes, sizes,
 and alternate lamping for projects.
Photographs may show non-standard products.



Finish

- 26 BLK
- 61 S GLD

CIRC R12.2S1M



CIRC R12.2S2M



CIRC R12.4S2M

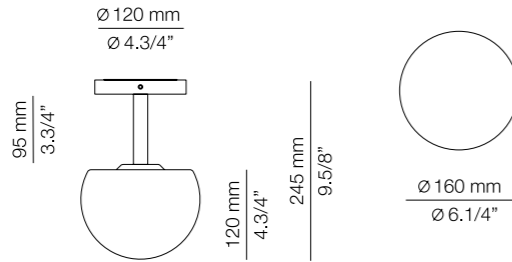


(ENG) Circ goes outdoors as a single suspension light in two different heights.
 (ESP) Circ sale al aire libre como lámpara de suspensión en dos alturas diferentes.

CIRC

t-3820X

LED 8W **A+**
 (2700K / Ang.120° / >90CRI)
 230V / Typ* 554 lumens
 Dimmable Triac
 Polyethylene shade

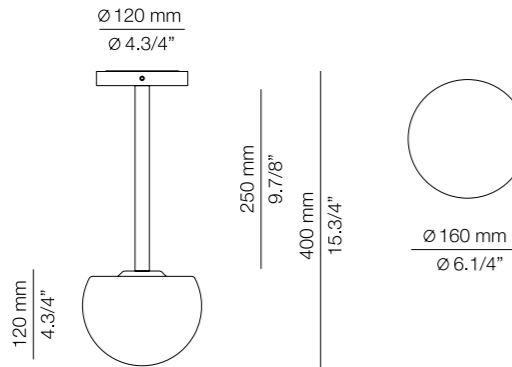


Finish

● 26 BLK

t-3821X

LED 8W **A+**
 (2700K / Ang.120° / >90CRI)
 230V / Typ* 554 lumens
 Dimmable Triac
 Polyethylene shade



Finish

● 26 BLK

Additional

We offer custom finishes, sizes,
 and alternate lamping for projects.

Photographs may show non-standard products.

CE





Hotel Terra Dominicana by @blackvelvetstudio_bcn



^(ENG) Mirrors that reflect and illuminate: round or racetrack ovals are ideal for bathrooms, dressing rooms, bedrooms and other spaces. ^(ESP) Formas circulares y ovaladas convierten estos espejos con luz en piezas tan decorativas como funcionales, ideales para baños, vestidores, dormitorios y otros espacios.



Circ

87

Wall light

(ENG) Circ doubles its brilliance with a round or racetrack oval mirror in bronze or smoke. (ESP) Bronce o gris fumé: con un tono de color, Circ se convierte en un elemento decorativo que aporta calidez a la vez que duplica su luminosidad.



Wall light

Circ

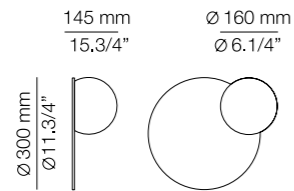
Hotel Terra Dominicata by @blackvelvetstudio_bcn



CIRC

A-3702

LED 10W **A+**
(2700K / Ang.120° / >90CRI)
230V / Typ* 730 lumens
Dimmable Triac
Glass shade

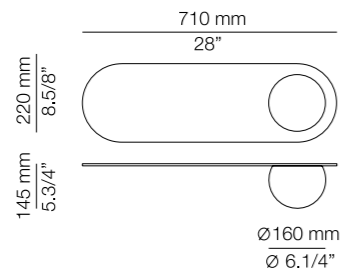


Finishes

- 23 GR F
- 65 BR F

A-3703

LED 10W **A+**
(2700K / Ang.120° / >90CRI)
230V / Typ* 730 lumens
Dimmable Triac
Glass shade



Finishes

- 23 GR F
- 65 BR F

A-3706

LED 10W **A+**
(2700K / Ang.120° / >90CRI)
230V / Typ* 730 lumens
Dimmable Triac
Glass shade

Finish

- 00 PLAIN

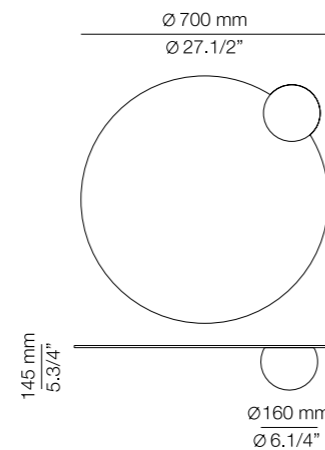
A-3706A

LED 10W **A+**
(2700K / Ang.120° / >90CRI)
230V / Typ* 730 lumens
Dimmable Triac
Glass shade

Finish

- 00 PLAIN

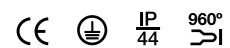
Mirror with demister system
Espejo con sistema antivaho



Additional

We offer custom finishes, sizes,
and alternate lamping for projects.

Photographs may show non-standard products.







^(ENG) Delicate as a flower and as functional as a pin, Alfi's light emerges from a glass orb, softened with a metal cap. Metal stems on ball joints at the base enable easy adjustment. ^(ESP) Delicada como una flor y tan funcional como un alfiler, la luz de Alfi emerge de una esfera de cristal suavizada por una tapa de metal. La base de la lámpara oculta las rótulas que permiten orientar fácilmente los brazos de forma independiente.





Floor lamp

96

Hotel Terra Dominicana by @blackvelvetstudio_bcn



Alfi



Suspension



Alfi



Suspension

100

Alfi

Alfi

101

Suspension



102 & 103 / Hotel Terra Dominicana by @blackvelvetstudio_bcn



Alfi

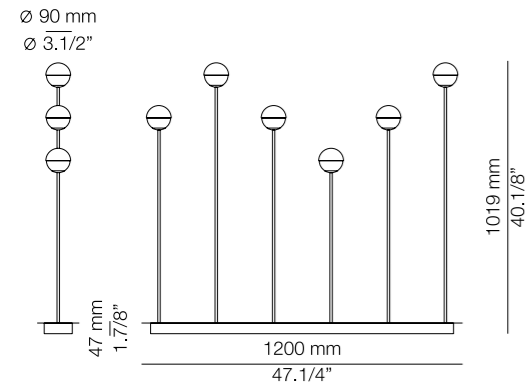
103

Floor lamp

ALFI

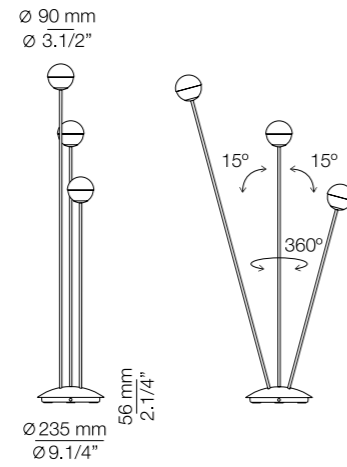
ALFI F120.6A

LED 6x3W **A++**
 (2700K / Ang.120° / >90CRI / 24V)
 100V - 277V / Typ* 6x300 lumens
 Dimmable 0-10V
 Hard wired / No plug
 Glass shade with cap



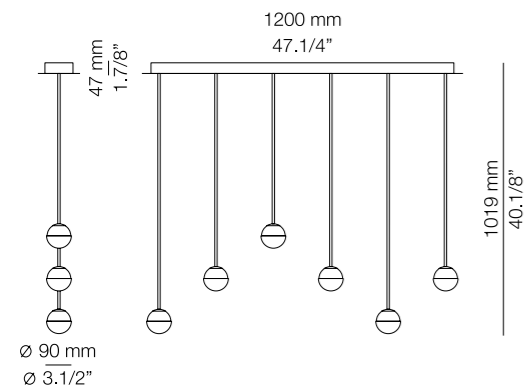
p-3748

LED 3x3W **A++**
 (2700K / Ang.120° / >90CRI / 24V)
 230V / Typ* 3x300 lumens
 On/Off Switch
 Glass shade with cap



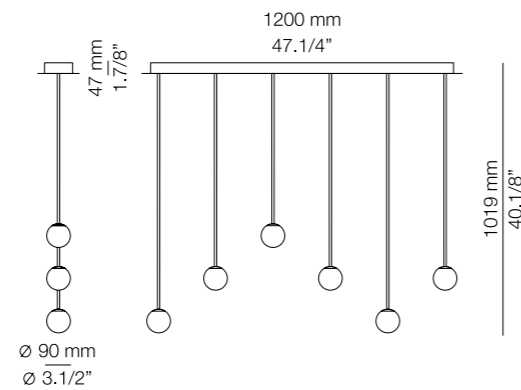
ALFI L120.6A

LED 6x3W **A++**
 (2700K / Ang.120° / >90CRI / 24V)
 100V - 277V / Typ* 6x300 lumens
 Dimmable 0-10V
 Glass shade with cap



ALFI L120.6

LED 6x3W **A++**
 (2700K / Ang.120° / >90CRI / 24V)
 100V - 277V / Typ* 6x300 lumens
 Dimmable 0-10V
 Plain glass shade

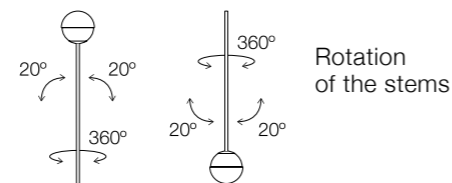


Finishes

- 26 BLK
- 20 GLD M

Additional

We offer custom finishes, sizes, and alternate lamping for projects.
 Photographs may show non-standard products.



Hotel Terra Dominicana by @blackvelvetstudio_bcn



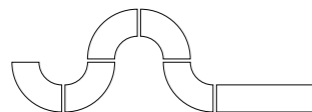
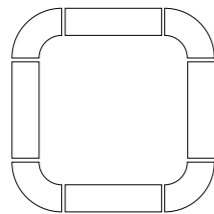
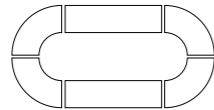
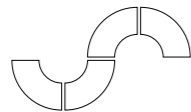
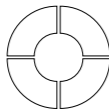


(ENG) Linear and curved modules are linked in configurable suspensions that meander across the ceiling or composed in serpentine configurations, ovals or rounded squares; for large or intimate spaces. (ESP) Diferentes módulos lineales y curvos se unen para crear grandes composiciones simétricas o irregulares que serpentean en el techo, ideal para llenar de luz grandes espacios o crear ambientes íntimos.

Basic modules



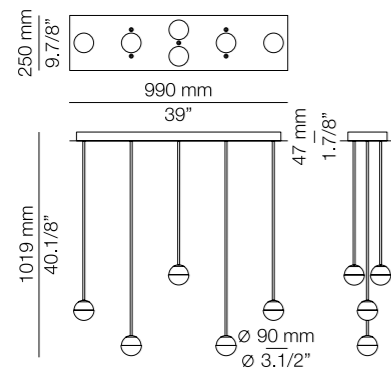
Compositions



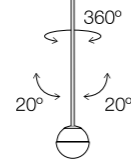
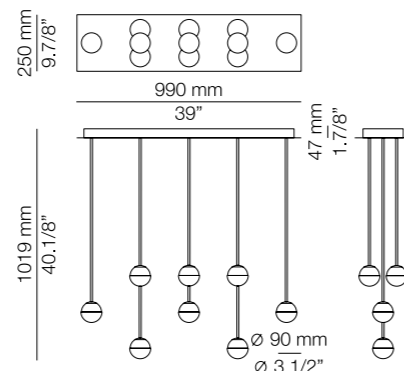
BASIC MODULES



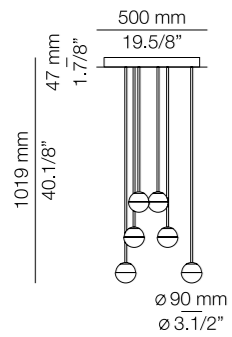
ALFI L100.6A



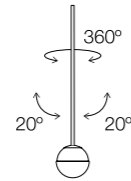
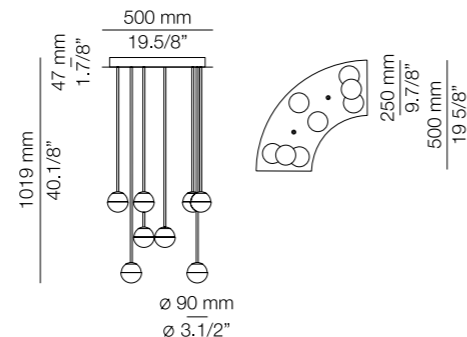
ALFI L100.11A



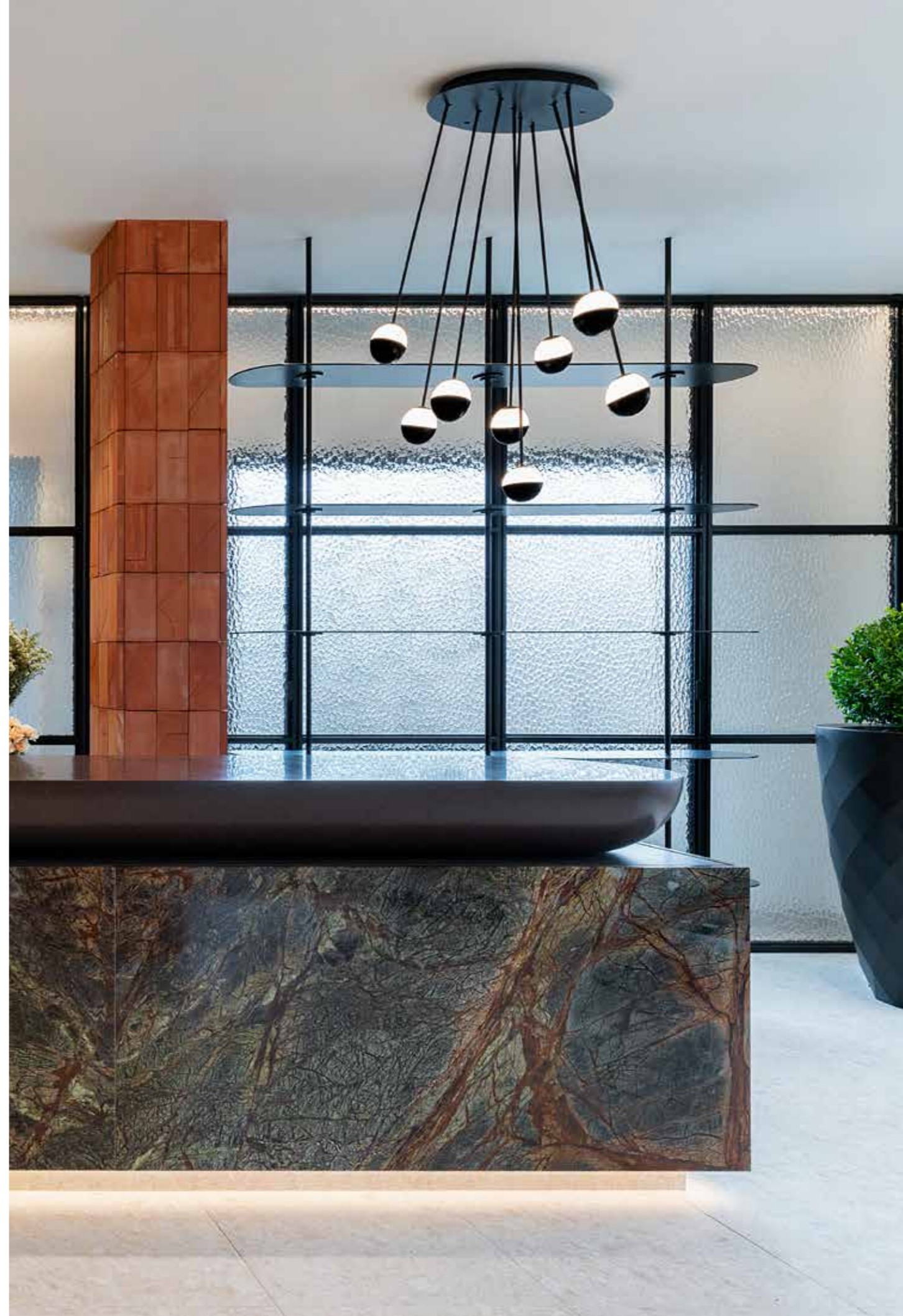
ALFI C50.6A



ALFI C50.8A



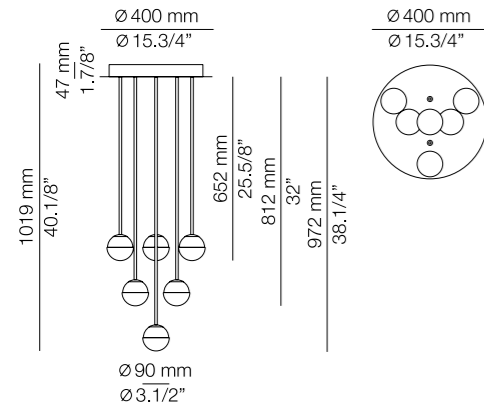
Flower shop Rosanilor by @jmferrero_estudiohac @estudiohac



ALFI

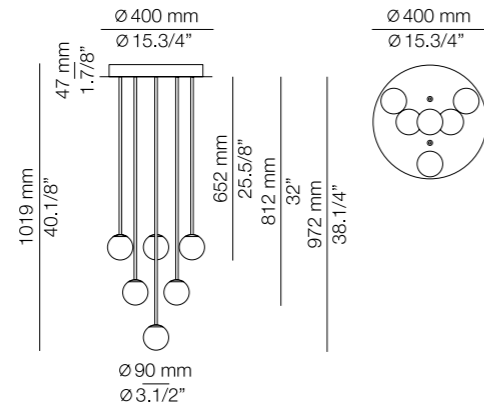
ALFI R40.6A

LED 6x3W **A++**
 (2700K / Ang.120° / >90 CRI / 24V)
 100V - 277V / Typ* 6x300 lumens
 Dimmable 0-10V
 Glass shade with cap



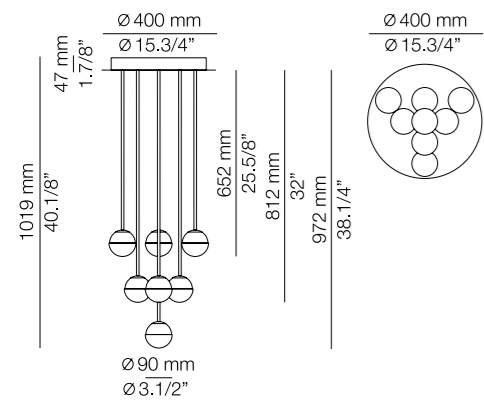
ALFI R40.6

LED 6x3W **A++**
 (2700K / Ang.120° / >90 CRI / 24V)
 100V - 277V / Typ* 6x300 lumens
 Dimmable 0-10V
 Plain glass shade



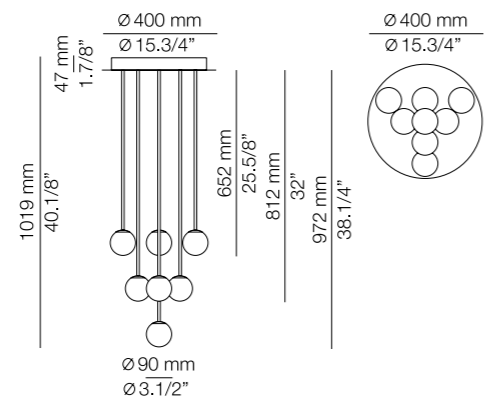
ALFI R40.8A

LED 8x3W **A++**
 (2700K / Ang.120° / >90 CRI / 24V)
 100V - 277V / Typ* 8x300 lumens
 Dimmable 0-10V
 Glass shade with cap



ALFI R40.8

LED 8x3W **A++**
 (2700K / Ang.120° / >90 CRI / 24V)
 100V - 277V / Typ* 8x300 lumens
 Dimmable 0-10V
 Plain glass shade



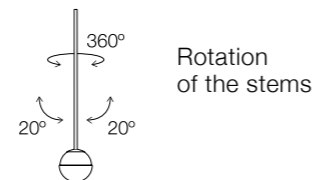
Finishes

- 26 BLK
- 20 GLD M

Additional

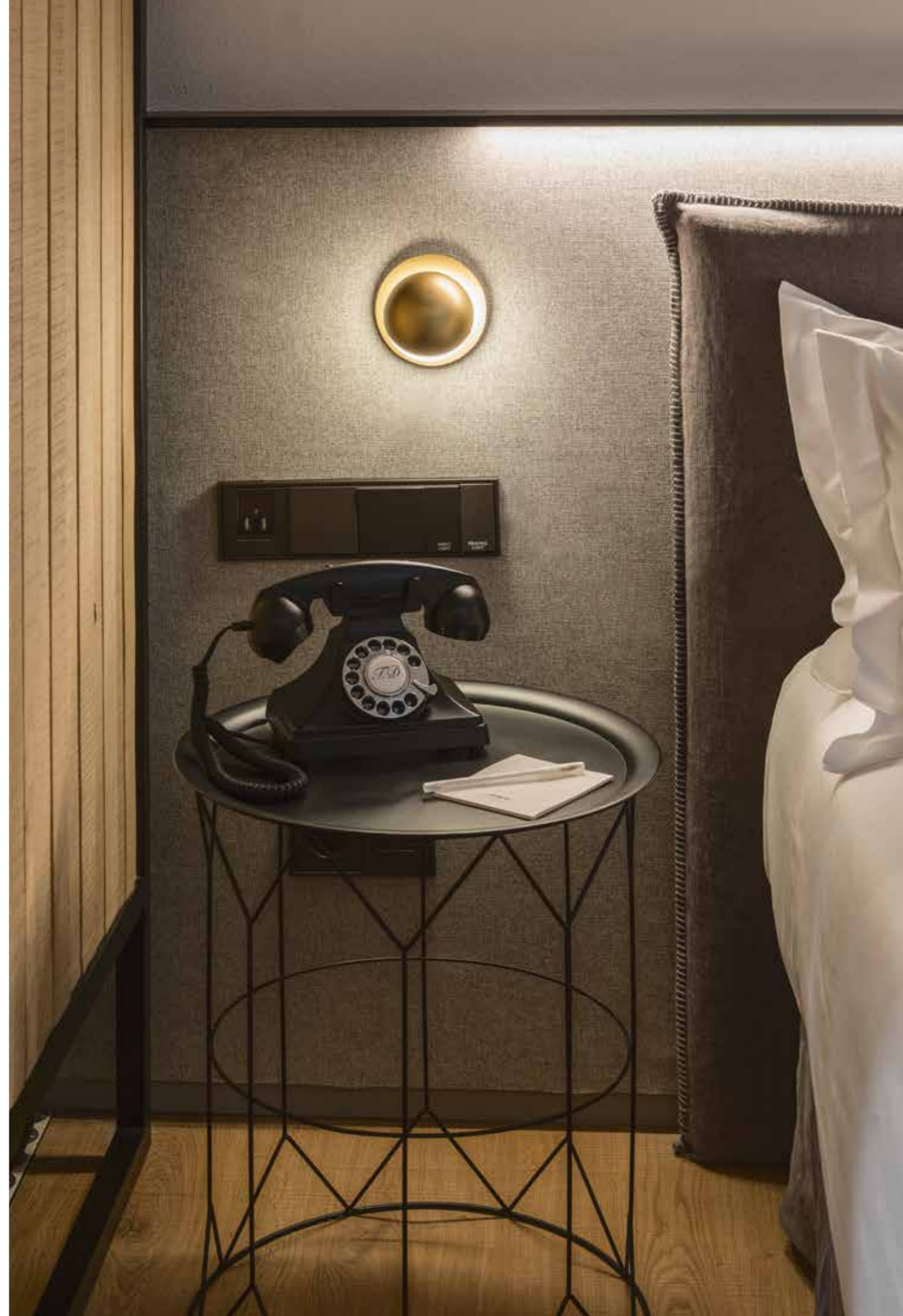
We offer custom finishes, sizes, and alternate lamping for projects.

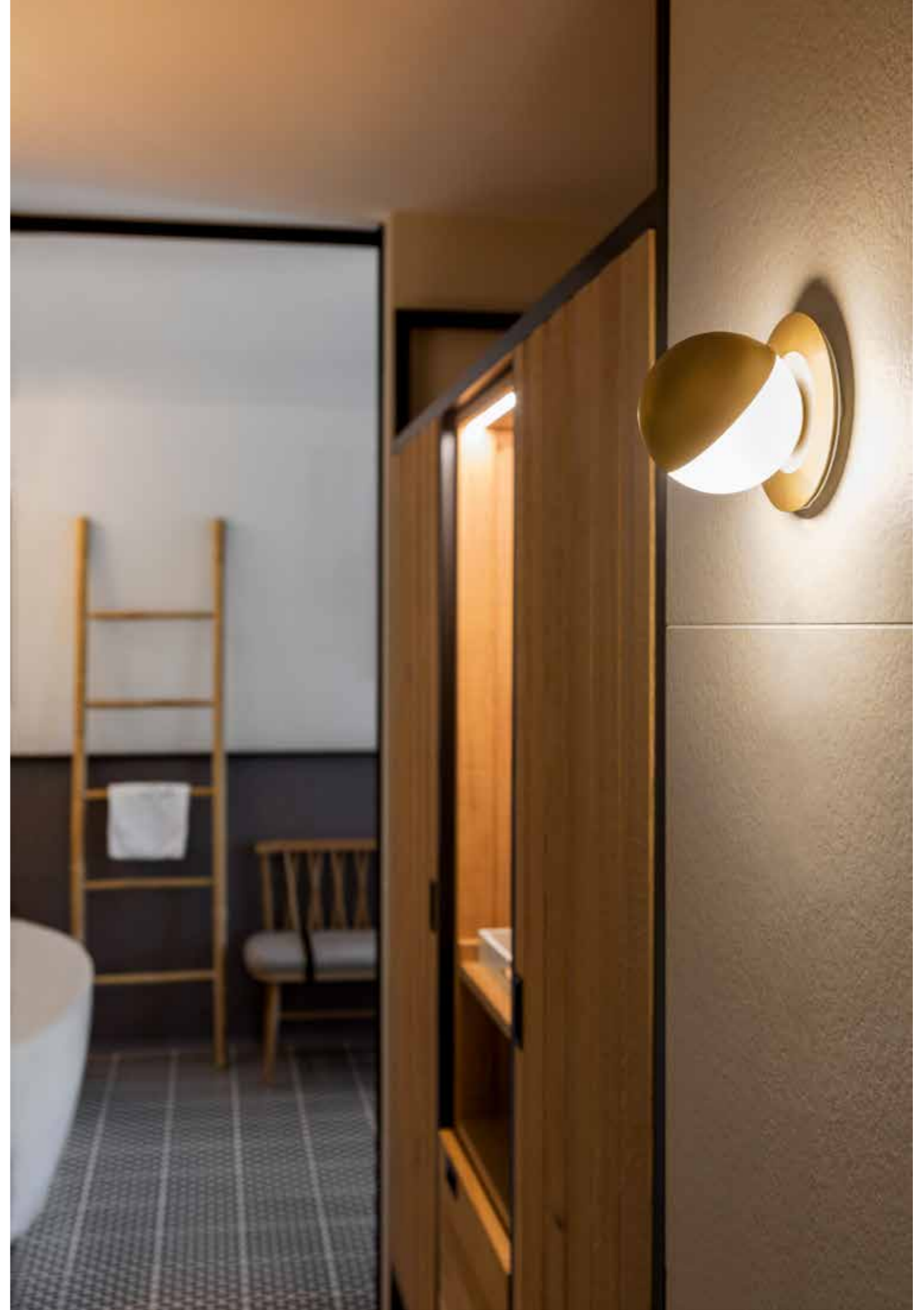
Photographs may show non-standard products.





(ENG) The perfect, minimalist orb, with front cap for indirect lighting or angled down, left or right for asymmetrical light. Or, leave it uncovered for brilliant illumination. (ESP) Una perfecta esfera minimalista con luz directa, indirecta o dirigida; según el modelo elegido.





Wall light

116

Alfi

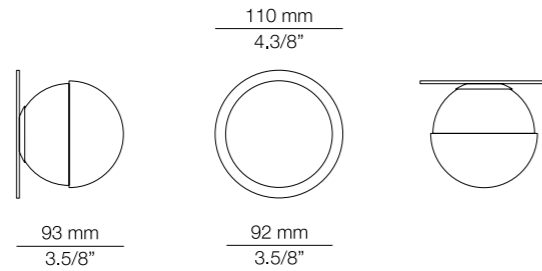
(ENG) Flush-mounted to ceilings, Alfi proposes an alternative to traditional recessed lighting. As with its other versions, light is easily directed with the optional cap. (ESP) Instalado en el techo, Alfi representa una atractiva alternativa a la tradicional iluminación empotrada. Al igual que con sus otras versiones, la luz se puede atenuar y dirigir hacia el techo con una tapa opcional.



ALFI

A-3740A / t-3740A

LED 3W **A+**
(2700K / Ang.120° / >90CRI / 24V)
230V / Typ* 300 lumens
Remote driver / Dimmable Triac
Glass shade with cap

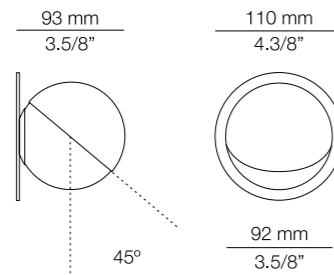


Finishes

- 26 BLK
- 20 GLD M

A-3740A1

LED 3W **A+**
(2700K / Ang.120° / >90CRI / 24V)
230V / Typ* 300 lumens
Remote driver / Dimmable Triac
Glass shade with cap at 45°

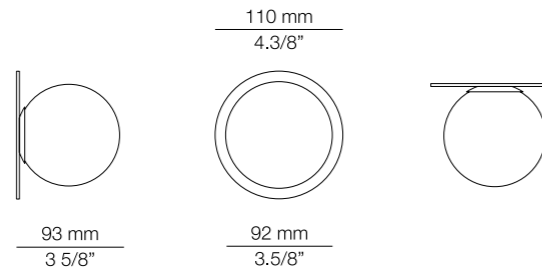


Finishes

- 26 BLK
- 20 GLD M

A-3740 / t-3740

LED 3W **A+**
(2700K / Ang.120° / >90CRI / 24V)
230V / Typ* 300 lumens
Remote driver / Dimmable Triac
Plain glass shade



Finishes

- 26 BLK
- 20 GLD M

Additional

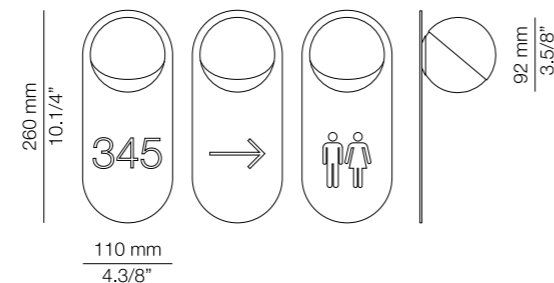
We offer custom finishes, sizes,
and alternate lamping for projects.
Contract option minimum quantity required.

Photographs may show non-standard products.



Contract option

Wall light with laser cut signage

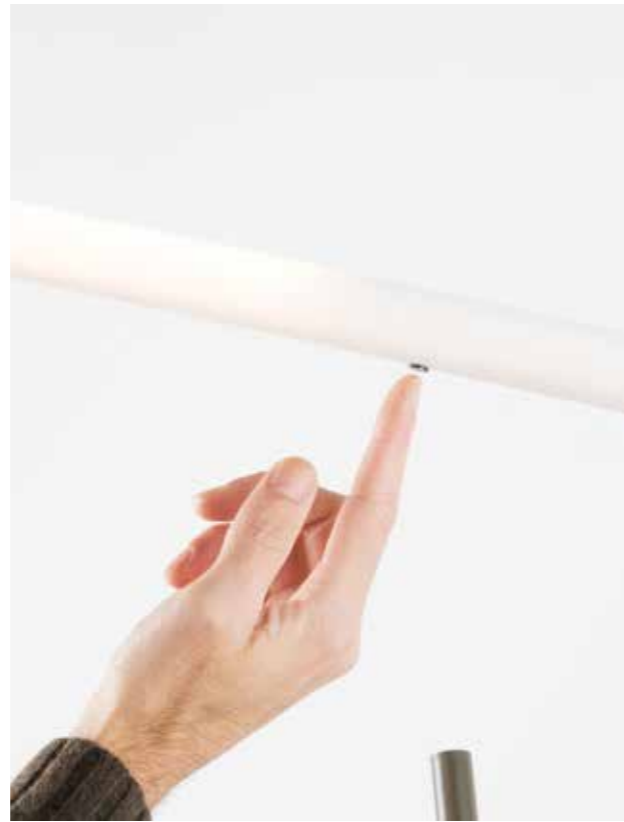






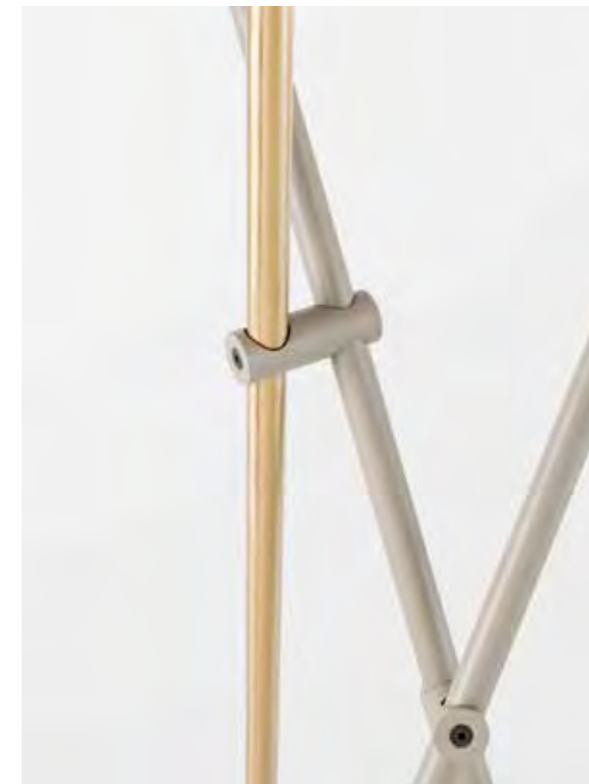
(ENG) Asana's multifunctional arms can be adjusted to achieve the best position of the light which can be rotated 140°. A small table and a lectern can be added for versatility in function. (ESP) Asana, identidad y carisma en una lámpara de pie, compuesta por brazos y complementos multifuncionales. El brazo iluminado puede adaptarse con un giro de 140° para lograr la posición idónea de la luz, el otro brazo ofrece la posibilidad de añadir una mesa pequeña o un atril para restaurante.





Floor lamp

Asana



^(ENG) Asana offers a softer look with glass shades on non-adjustable arms. Elegant as it is, a lectern or small table can also be added. ^(ESP) Asana presenta una versión más clásica y de aspecto delicado gracias a la calidez que le aportan las pantallas de cristal en sus dos brazos fijos. A esta elegante lámpara de pie también se le puede agregar un atril o una mesa pequeña.

ASANA

P-3768

LED 10,7W **A+**
 (2700K / Ang.120° / 24V)
 100V - 240V / Typ* 1068 lumens
 Sensor dimmer on the body
 Acrylic shade

Finish body

● 92 MNK

Finish stem

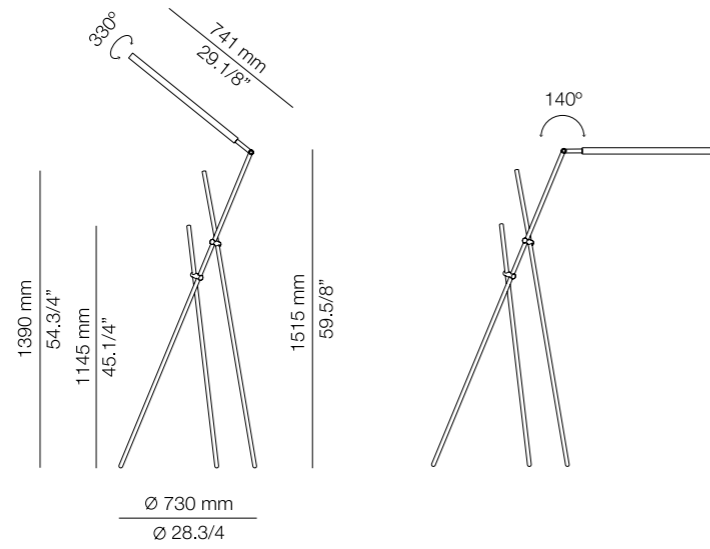
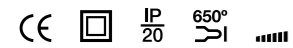
● 61 S GLD

● 93 GR LM

Additional

We offer custom finishes, sizes,
 and alternate lamping for projects.

Photographs may show non-standard products.



P-3769

LED 2x5,35W **A+**
 (2700K / Ang.120° / 24V)
 100V - 240V / Typ* 2x535 lumens
 Sensor dimmer on the body
 Glass shades

Finish body

● 92 MNK

Finish stem

● 61 S GLD

● 93 GR LM

Additional

We offer custom finishes, sizes,
 and alternate lamping for projects.

Photographs may show non-standard products.

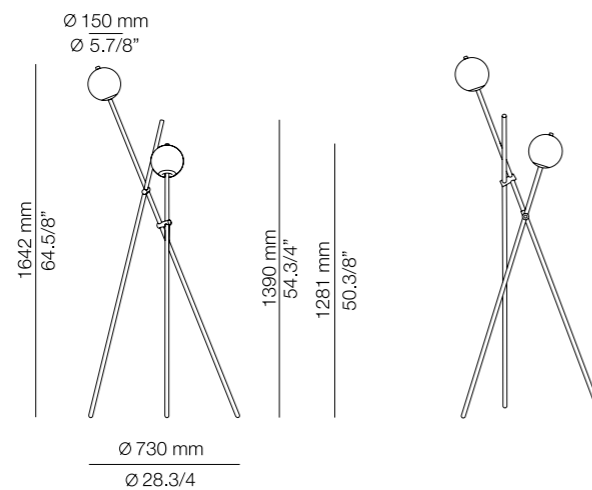
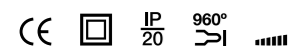
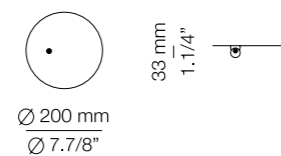
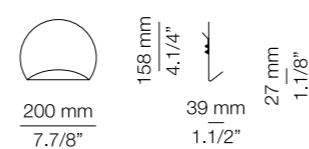
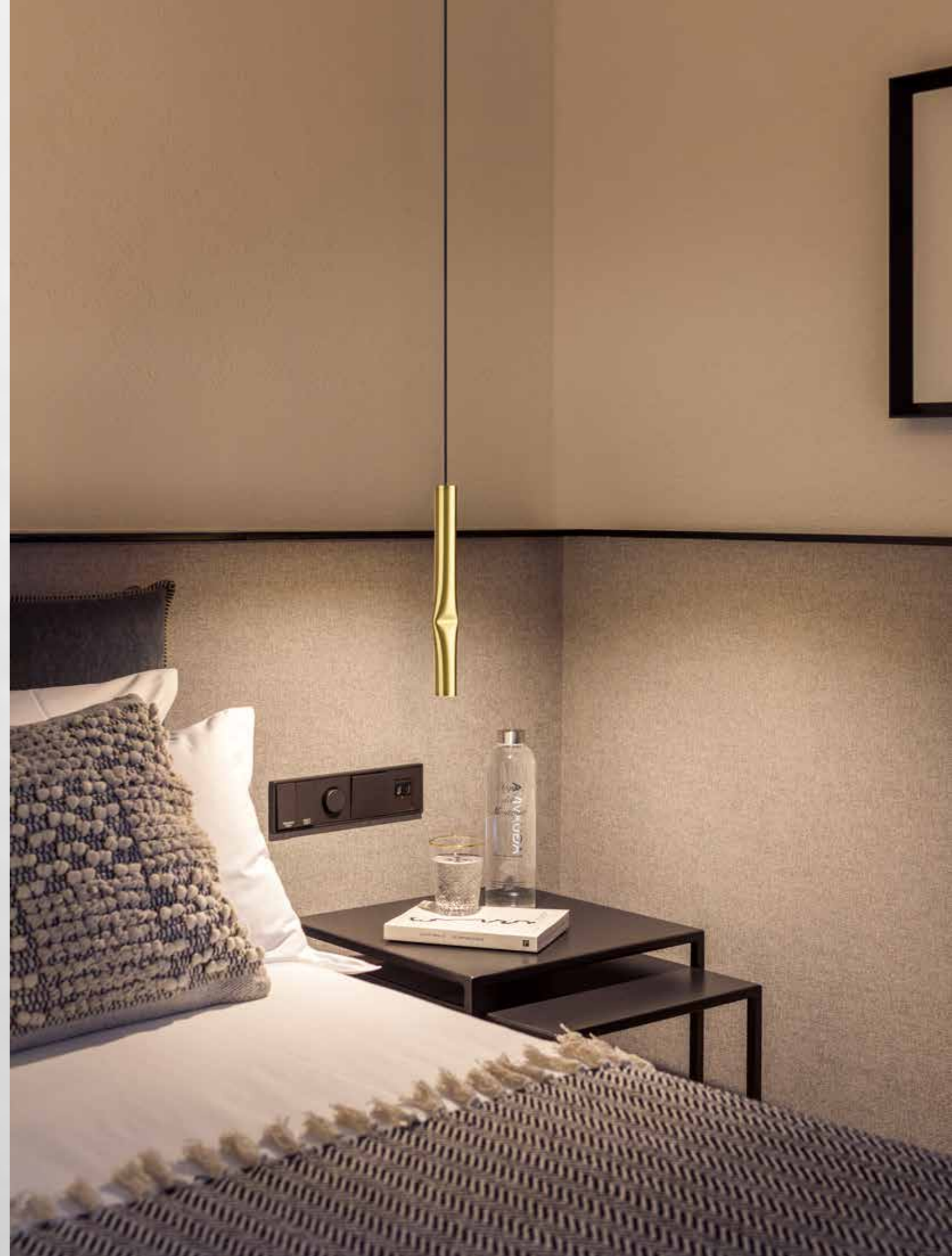


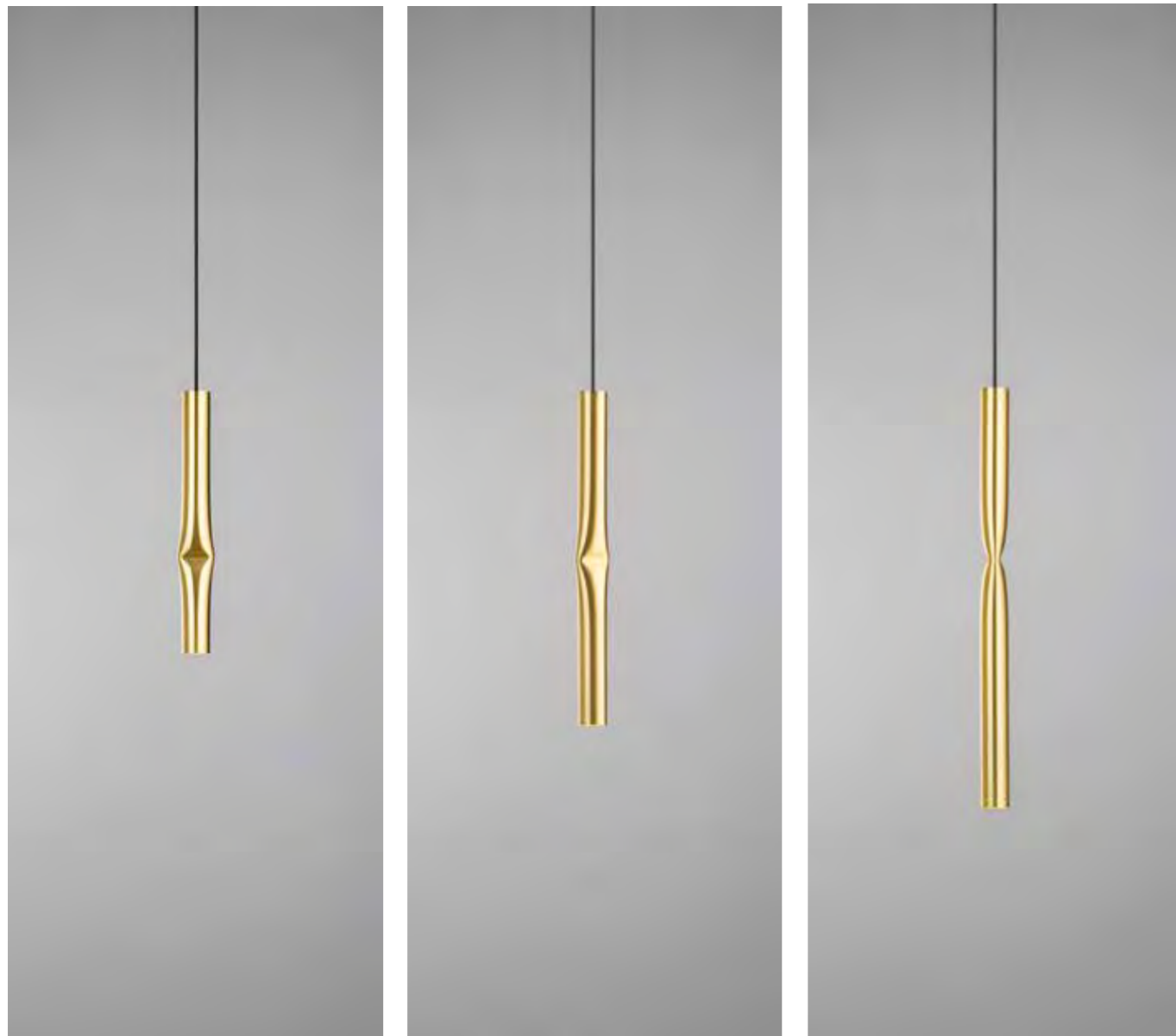
Table accessory



Lectern accessory



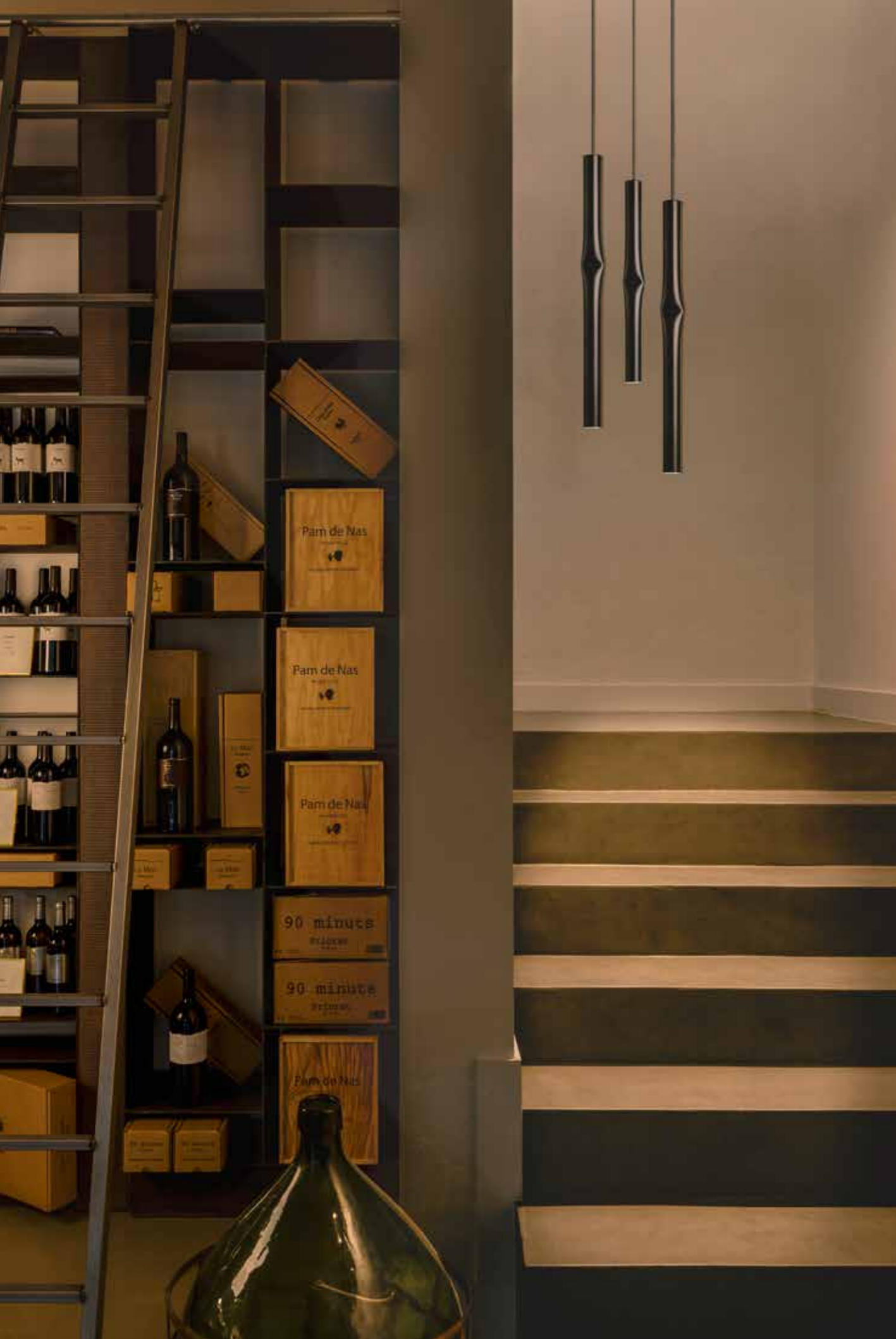




(ENG) A simple tube pinched along its length defines Flow and gives it a unique character. As a suspension lamp used in multiples, it fills spaces with light.

(ESP) Un cilindro estilizado con un delicado pliegue define la colección Flow y le da un carácter único. Las tres medidas de la lámpara de suspensión permiten crear un diseño propio combinándolas entre ellas con nuestra selección de sujeciones múltiples.





133, 135 & 136 / Hotel Terra Dominicana by @blackvelvetstudio_bcn



Flow

137

Suspension

LINEAR CANOPY



FLOW L73.3S

FLOW L92.2S2L

FLOW L165.2S2M2L

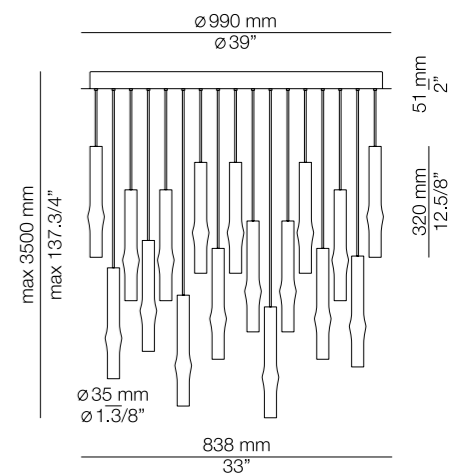
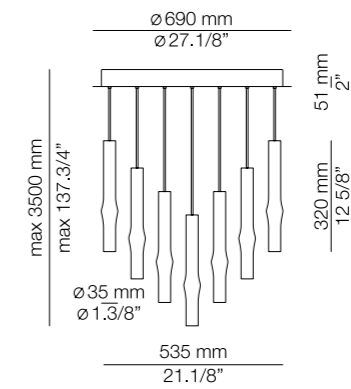
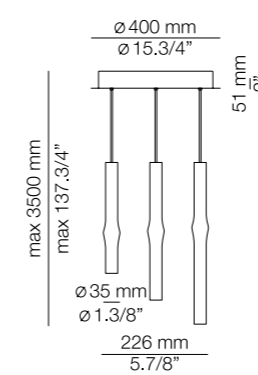
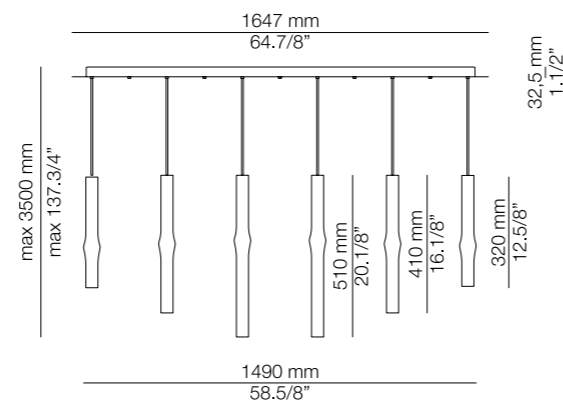
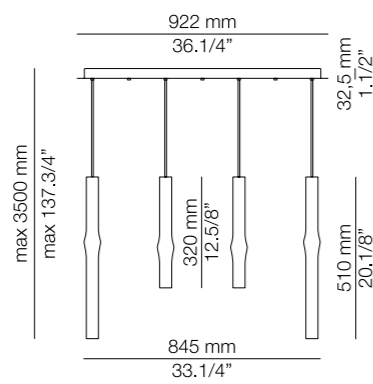
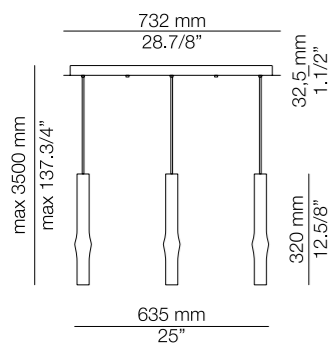
ROUND CANOPY



FLOW R40.1S1M1L

FLOW R70.7S

FLOW R100.17S



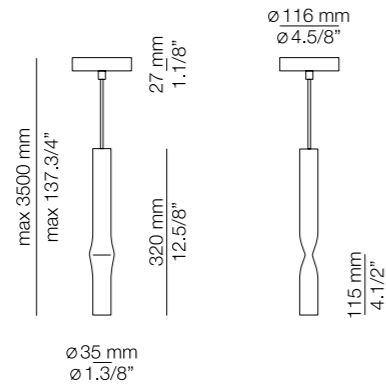
FLOW

T-3734S

LED 6,1W **A+**
(2700K / Ang.120° / >90CRI / 350mA)
100V - 240V / Typ* 565 lumens
Non dimmable (dimmable upon request)
Compositions are dimmable

Finish shade

- 26 BLK
- 61 S GLD
- 74 WH

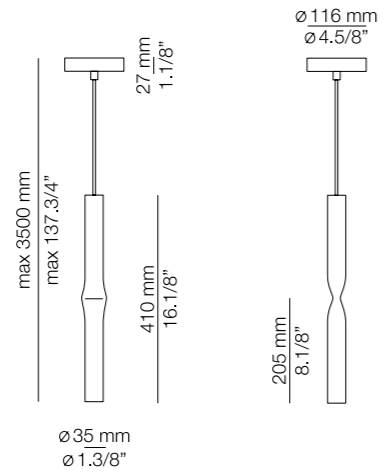


T-3735S

LED 6,1W **A+**
(2700K / Ang.120° / >90CRI / 350mA)
100V - 240V / Typ* 565 lumens
Non dimmable (dimmable upon request)
Compositions are dimmable

Finish shade

- 26 BLK
- 61 S GLD
- 74 WH

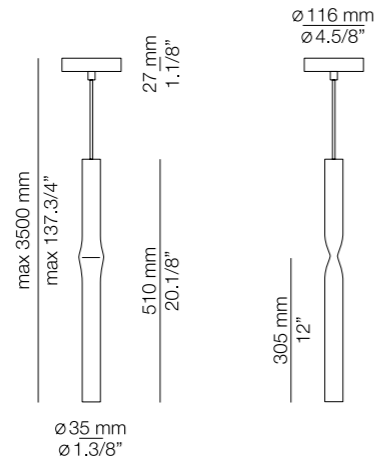


T-3736S

LED 6,1W **A+**
(2700K / Ang.120° / >90CRI / 350mA)
100V - 240V / Typ* 565 lumens
Non dimmable (dimmable upon request)
Compositions are dimmable

Finish shade

- 26 BLK
- 61 S GLD
- 74 WH



Additional

We offer custom finishes, sizes,
and alternate lamping for projects.

Photographs may show non-standard products.







(ENG) As a minimalist wall sconce, Flow naturally integrates itself into each room, offering direct lighting. Used singly or in multiples, it is a simple and elegant sculptural element. (ESP) Flow aplique es un elemento escultórico simple y elegante que se integra de forma natural en cualquier espacio. Puede ofrecer luz directa o indirecta según la colocación.

FLOW

A-3730

LED 6,1W **A+**
 (2700K / Ang.120° / >90CRI / 350mA)
 100V - 240V / Typ* 565 lumens
 Non dimmable

Finishes

- 26 BLK
- 61 S GLD
- 74 WH

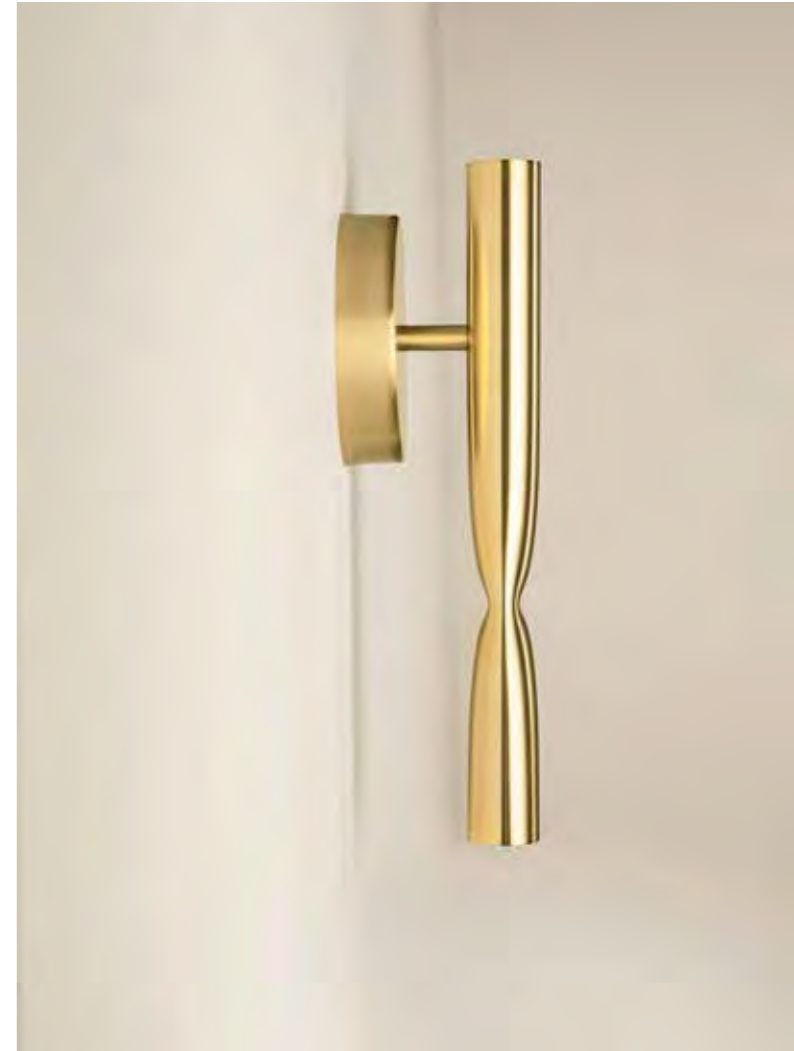
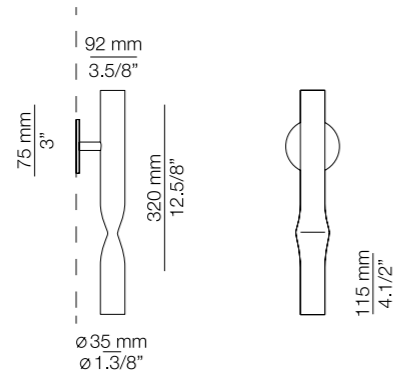
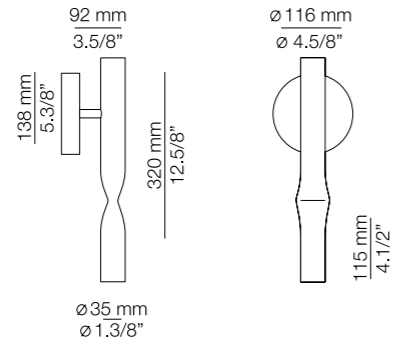
Contract option

Recessed canopy
 with remote driver.

Additional

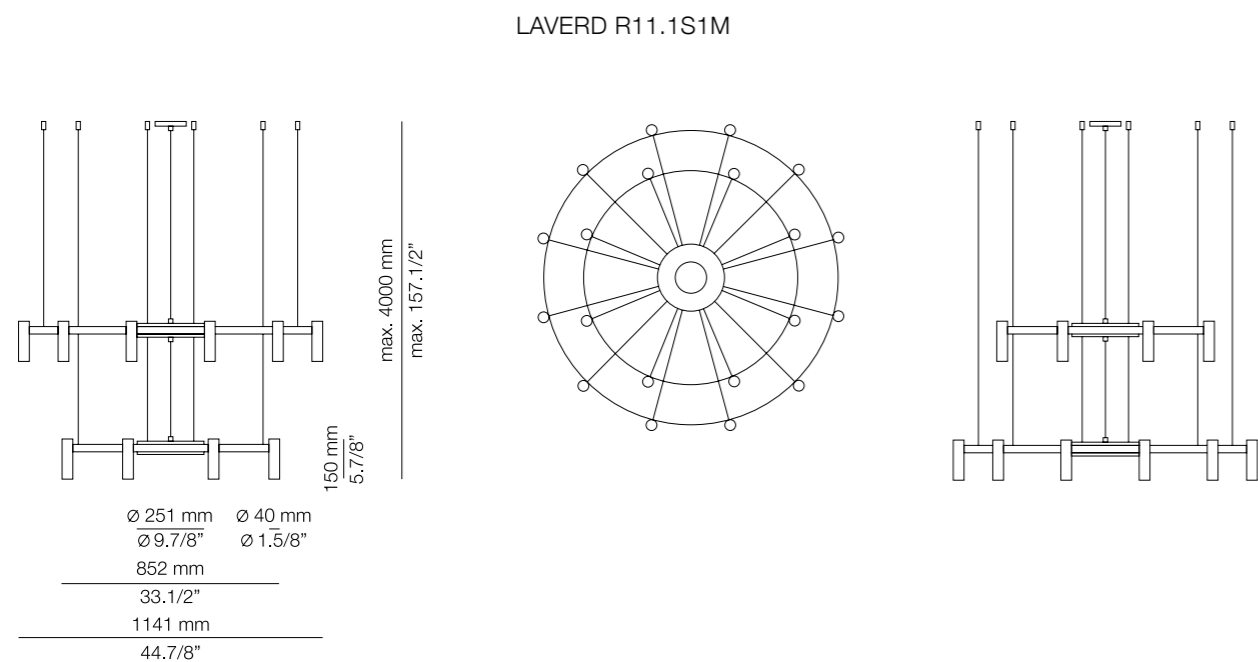
We offer custom finishes, sizes,
 and alternate lamping for projects.
 Contract option minimum quantity required.

Photographs may show non-standard products





(ENG) The chandelier re-imagined as a stylized wheel, with cylindrical lamps which can project light up and down. Laverd is offered in two sizes that can be combined or vertically connected. A central element suspended from steel cables permits the creation of different shapes. (ESP) Laverd da vida a una lámpara de araña, reinterpretación estilizada de una rueda con pantallas cilíndricas que proyectan la luz en ambos sentidos. Un elemento central dinámico permite la creación de diferentes formas conectando y combinando lámparas de dos diámetros verticalmente.



LAVERD

T-3805

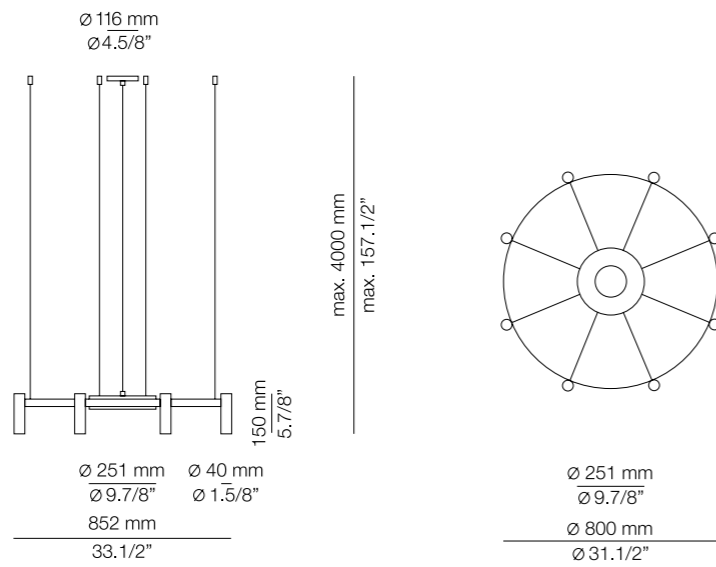
LED 16x3W **A++**
 (2700K / Ang.120° / >90CRI / 24V)
 100V - 277V / Typ* 16x300 lumens
 Dimmable 0-10V
 Up and down light

Finish body

- 26 BLK

Finish head

- 26 BLK
- 61 S GLD



T-3806

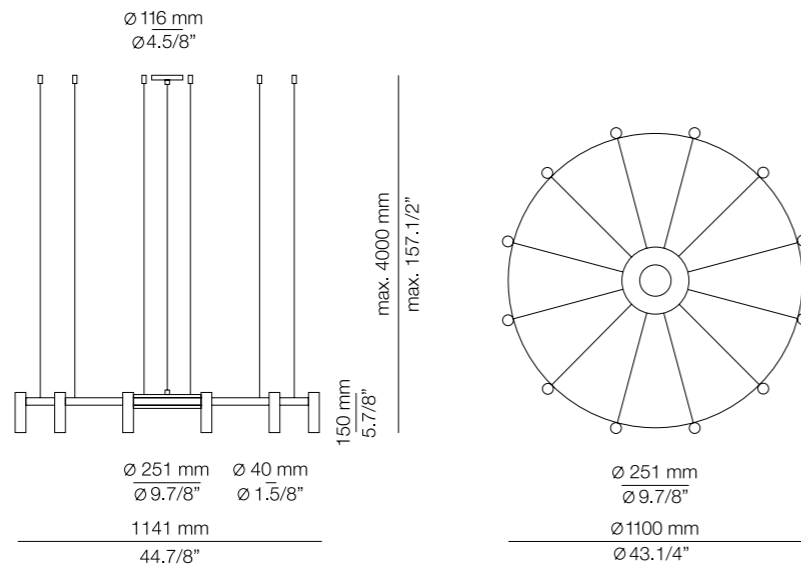
LED 24x3W **A++**
 (2700K / Ang.120° / >90CRI / 24V)
 100V - 277V / Typ* 24x300 lumens
 Dimmable 0-10V
 Up and down light

Finish body

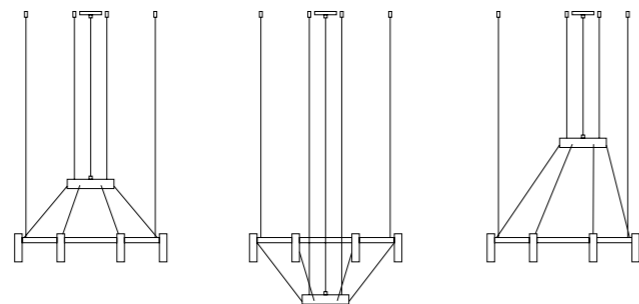
- 26 BLK

Finish head

- 26 BLK
- 61 S GLD



Possible shapes



Additional

We offer custom finishes, sizes,
 and alternate lamping for projects.

Photographs may show non-standard products





(ENG) Open circles sketched in the air, or frames for fabric panels to soften sound. Pendant cylinders have aluminium heads and acrylic diffusers. Create your own custom suspension light combining them individually or with our selection of canopies. (ESP) Icónicos círculos dibujan en el aire distintos conjuntos que se llenan de color con paneles tapizados para atenuar el sonido. Pantallas de aluminio con difusores de metacrilato. Crea tu propio diseño combinando suspensiones de forma independiente o con nuestra selección de sujeciones múltiples.





Suspension

158

Revolta

158 / IMM Cologne 2018 by @freifrau_moebel 159 / Private penthouse by @studio_erez_hyatt





REVOLTA

T-3635-W

LED 6,1W **A+**
 (2700K / Ang.120° / >90CRI
 350mA) / 100V - 240V
 Typ* 565 lumens
 Dimmable Triac

Finishes

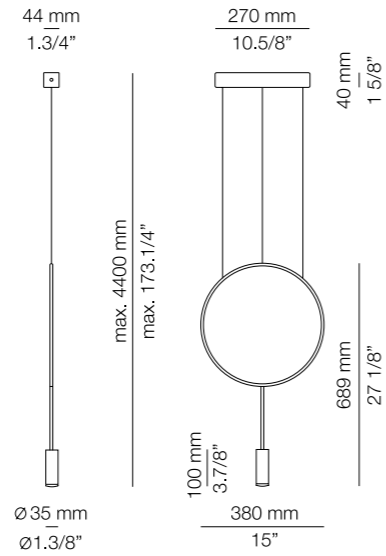
- 26 BLK (Body)
 - 26 BLK (Head)
 - 61 S GLD (Head)
- 71 WH (Body)
 - 71 WH (Head)

T-3635-M

LED 6,1W **A+**
 (3000K / Ang.120° / >90CRI
 350mA) / 100V - 240V
 Typ* 578 lumens
 Dimmable Triac

Finishes

- 26 BLK (Body)
 - 26 BLK (Head)
 - 61 S GLD (Head)
- 71 WH (Body)
 - 71 WH (Head)



T-3636-W

LED 2x6,1W **A+**
 (2700K / Ang.120° / >90CRI
 350mA) / 230V
 Typ* 2x565 lumens
 Dimmable Triac

Finishes

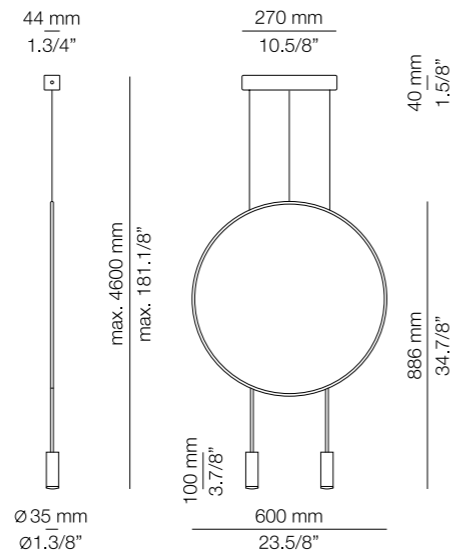
- 26 BLK (Body)
 - 26 BLK (Head)
 - 61 S GLD (Head)
- 71 WH (Body)
 - 71 WH (Head)

T-3636-M

LED 2x6,1W **A+**
 (3000K / Ang.120° / >90CRI
 350mA) / 230V
 Typ* 2x578 lumens
 Dimmable Triac

Finishes

- 26 BLK (Body)
 - 26 BLK (Head)
 - 61 S GLD (Head)
- 71 WH (Body)
 - 71 WH (Head)



Additional

50° angle acrylic optic lens conversion kit.
 We offer custom finishes, sizes,
 and alternate lamping for projects.
 Contract option minimum quantity required.

Photographs may show non-standard products.

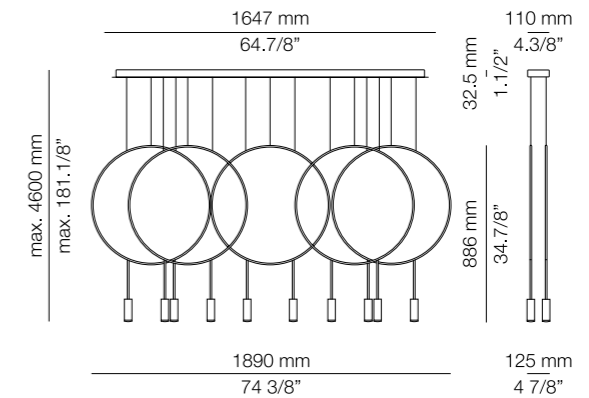


Contract option

Recessed canopy
 with remote driver

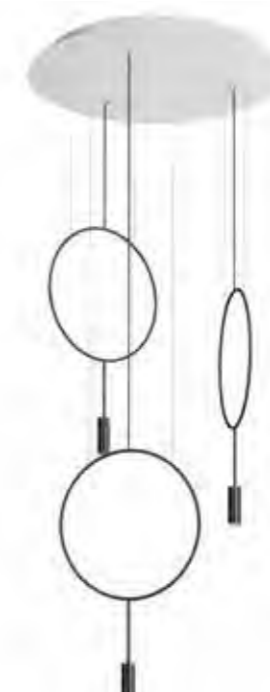
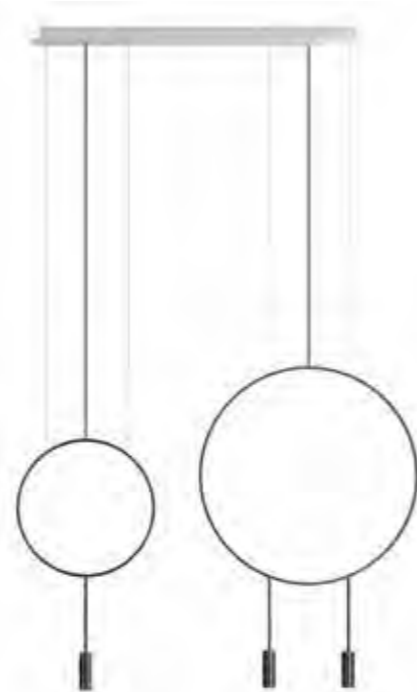
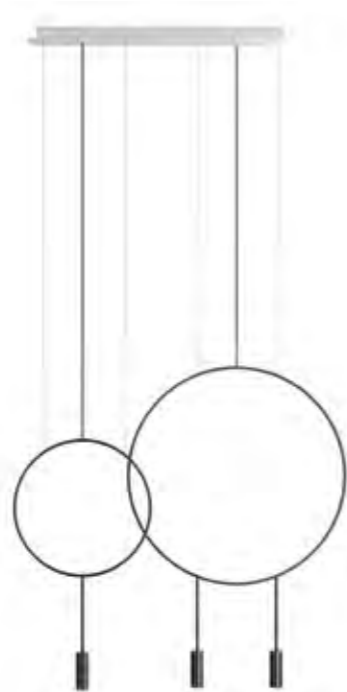
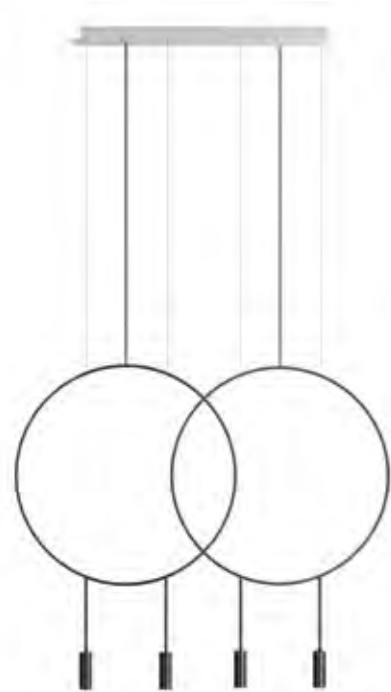


REVOLTA L165.5D

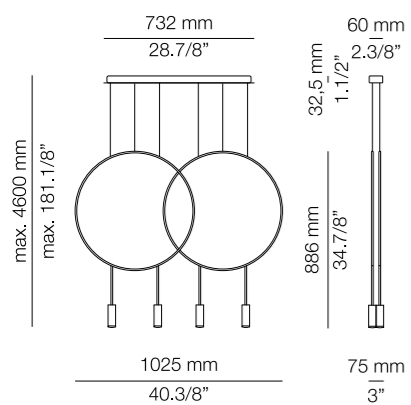


LINEAR CANOPY

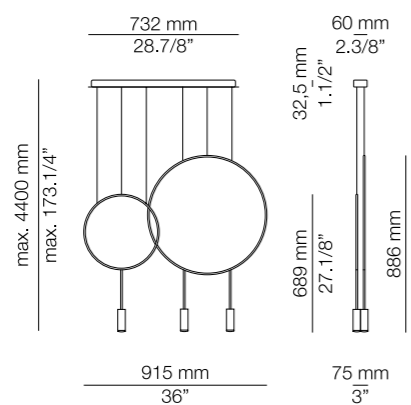
ROUND CANOPY



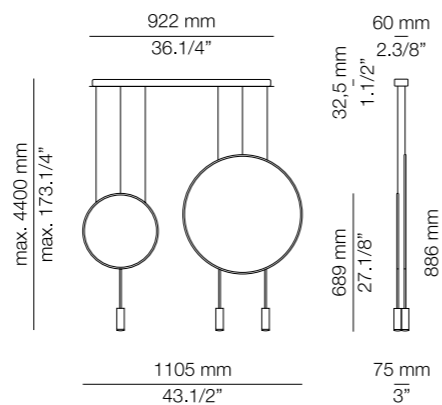
REVOLTA L73.2D



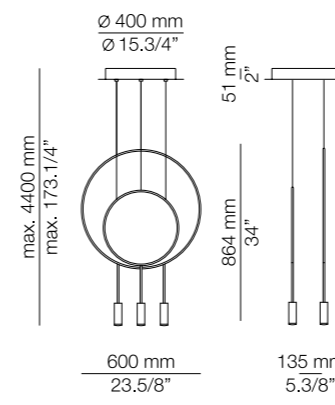
REVOLTA L73.1S1D



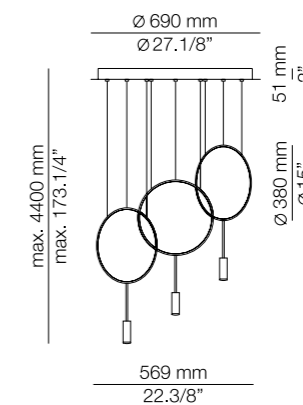
REVOLTA L92.1S1D



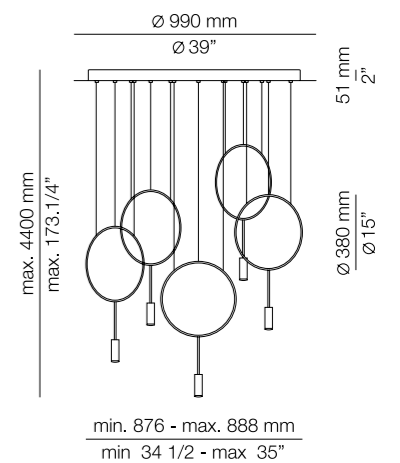
REVOLTA R40.1S1D



REVOLTA R70.3S

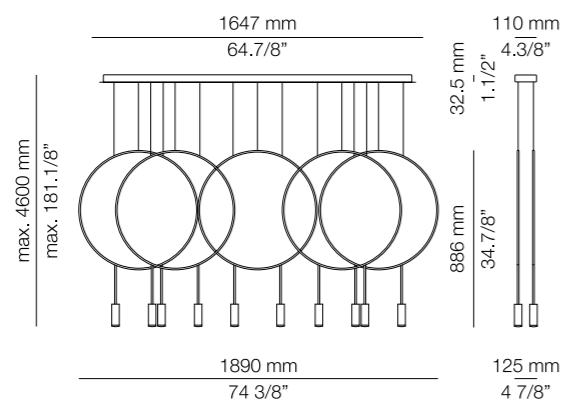


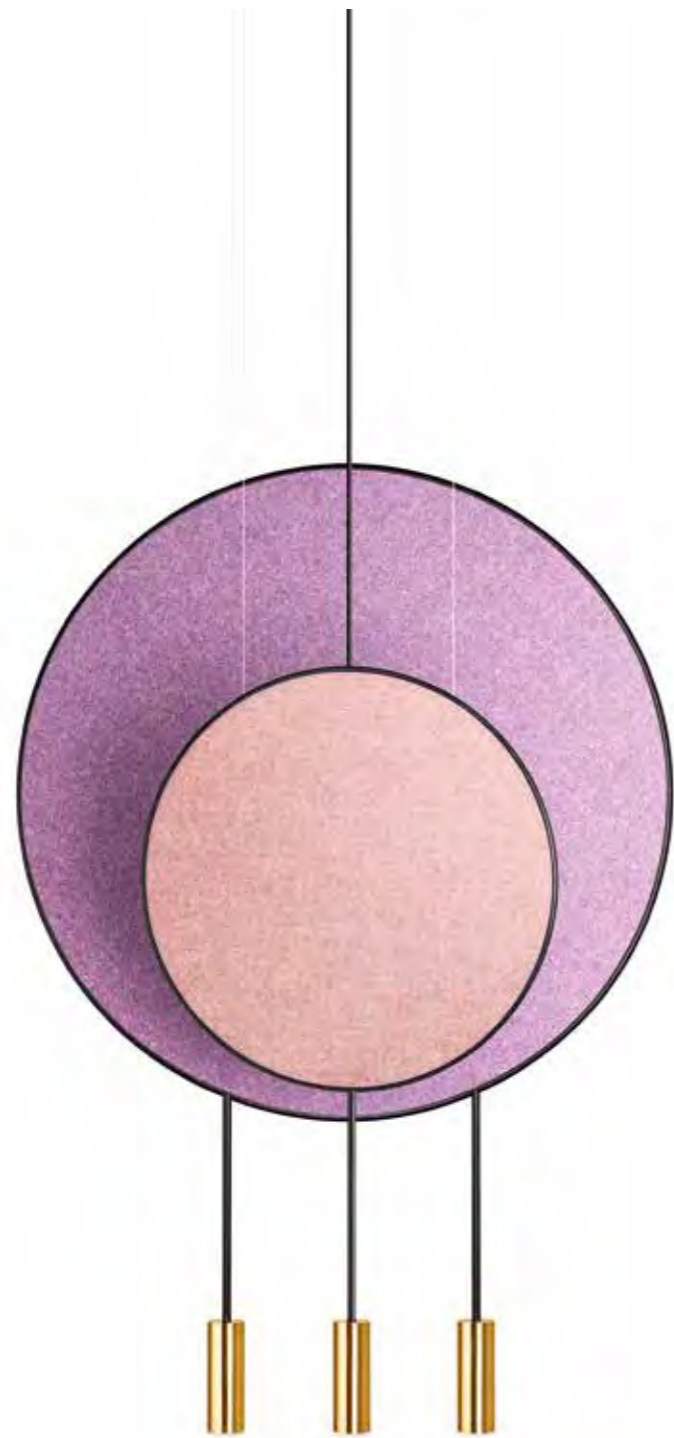
REVOLTA R100.5S





REVOLTA L165.5D





^(ENG) Revolta offers a unique and decorative solution to soften room noise with fabric-covered acoustic panels or recycled P.E.T. felt panels. Revolta can also be used to divide large spaces into discrete areas. ^(ESP) Revolta ofrece una solución única y decorativa para atenuar el ruido de una estancia gracias a sus paneles acústicos forrados de espuma y tejido o P.E.T. reciclado que absorben el sonido. Además, se puede utilizar para dividir grandes espacios en zonas más íntimas.



Finish Acoustic panel

Fabric

- 82 BL Blue
- 83 EGP Eggplant
- 84 SLM Salmon

$\alpha=0.4$

P.E.T. felt

- 26 BLK Black

$\alpha=0.25$

Additional

Sound absorbing panels without light are available upon request.

We offer custom finishes and sizes.

Photographs may show non-standard products.

CE ⚡ IP 20 650°

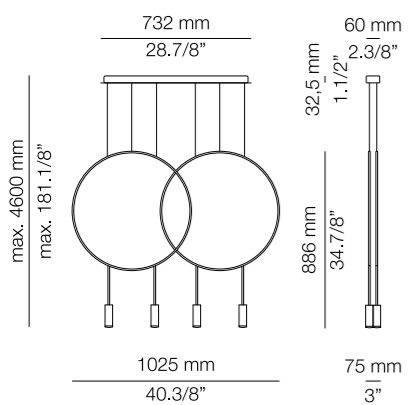


LINEAR CANOPY

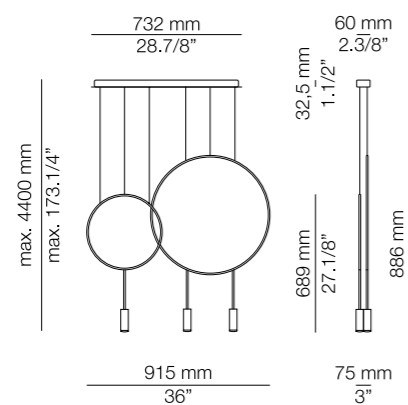
ROUND CANOPY



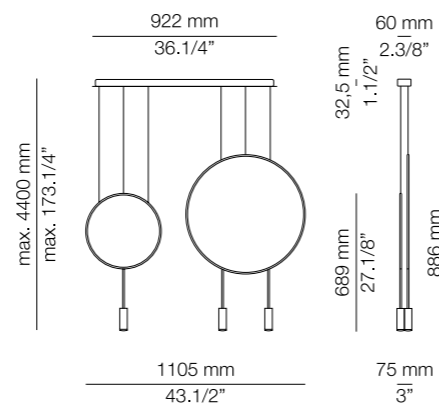
REVOLTA L73.2D



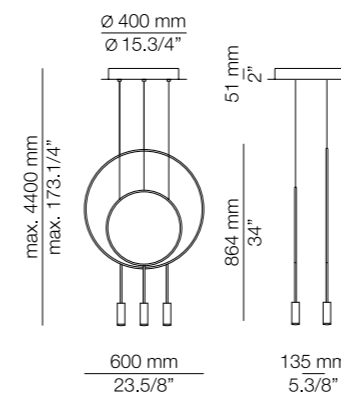
REVOLTA L73.1S1D



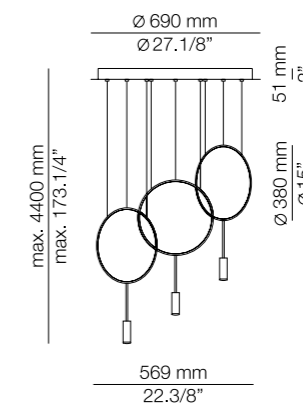
REVOLTA L92.1S1D



REVOLTA R40.1S1D



REVOLTA R70.3S



REVOLTA R100.5S

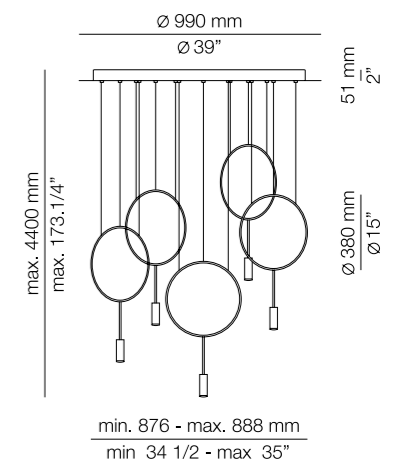




Table lamp

172

Revolta



(ENG) Sculpture that illuminates: Revolta stands alone on table or desk.
(ESP) La lámpada de sobremesa Revolta impacta por su carácter escultural, decorando una mesa, barra o mueble bufet.

Revolta

173

Table lamp

REVOLTA

M-3637-W

LED 6,1W **A+**
 (2700K / Ang.120° / >90CRI
 350mA) / 100V - 240V
 Typ* 565 lumens
 Sensor Dimmer
 Universal plug

Finishes

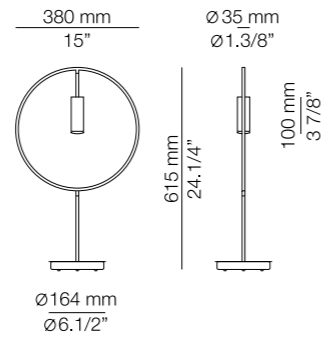
- 26 BLK (Body)
 - 26 BLK (Head)
 - 61 S GLD (Head)
- 71 WH (Body)
 - 71 WH (Head)

M-3637-M

LED 6,1W **A+**
 (3000K / Ang.120° / >90CRI
 350mA) / 100V - 240V
 Typ* 578 lumens
 Sensor Dimmer
 Universal plug

Finishes

- 26 BLK (Body)
 - 26 BLK (Head)
 - 61 S GLD (Head)
- 71 WH (Body)
 - 71 WH (Head)



A-3630-W

LED 6,1W **A+**
 (2700K / Ang.120° / >90CRI
 350mA) / 100V - 240V
 Typ* 565 lumens
 Non Dimmable

Finishes

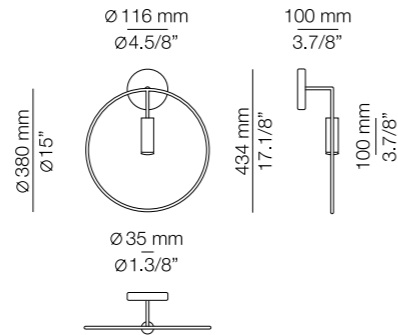
- 26 BLK (Body)
 - 26 BLK (Head)
 - 61 S GLD (Head)
- 71 WH (Body)
 - 71 WH (Head)

A-3630-M

LED 6,1W **A+**
 (3000K / Ang.120° / >90CRI
 350mA) / 100V - 240V
 Typ* 578 lumens
 Non Dimmable

Finishes

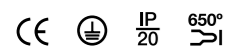
- 26 BLK (Body)
 - 26 BLK (Head)
 - 61 S GLD (Head)
- 71 WH (Body)
 - 71 WH (Head)



Additional

50° angle acrylic optic lens conversion kit.
 We offer custom finishes, sizes,
 and alternate lamping for projects.

Photographs may show non-standard products.







(ENG) Delicate arches and simple cylinders in a family of lights which can be used singly or in clusters of brilliance. Aluminium heads with acrylic diffusers. (ESP) Delicados arcos y simples cilindros forman esta familia de lámparas individuales o combinadas en grupos. Pantallas de aluminio con difusores de metacrilato.



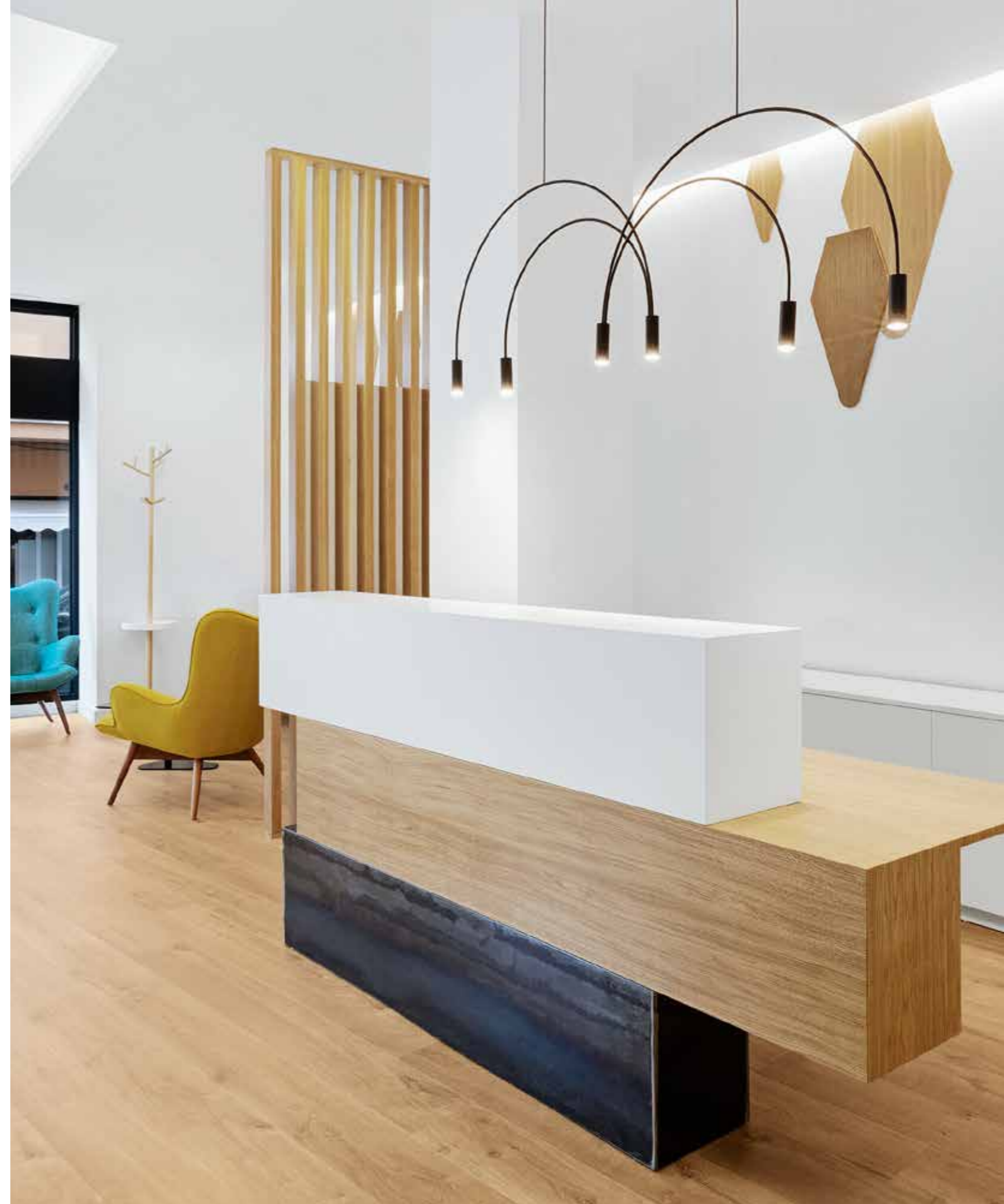


Suspension

180

Volta

180 / Showroom by @estev_e_studi 181 / Clinica dental Delgado by @alibazconstruccion @kamalfotografia



Volta

181

Suspension

VOLTA

T-3535-W

LED 2x6,1W **A+**
 (2700K / Ang.120°
 >90CRI / 350mA) / 230V
 Typ* 2x565 lumens
 Dimmable Triac

Finishes

- 26 BLK (Body)
 - 26 BLK (Head)
 - 61 S GLD (Head)
- 71 WH (Body)
 - 71 WH (Head)

T-3536-W

LED 3x6,1W **A+**
 (2700K / Ang.120°
 >90CRI / 350mA) / 230V
 Typ* 3x565 lumens
 Dimmable Triac

Finishes

- 26 BLK (Body)
 - 26 BLK (Head)
 - 61 S GLD (Head)
- 71 WH (Body)
 - 71 WH (Head)

Additional

50° angle acrylic optic lens conversion kit.
 We offer custom finishes, sizes,
 and alternate lamping for projects.
 Contract option minimum quantity required.

Photographs may show non-standard products.

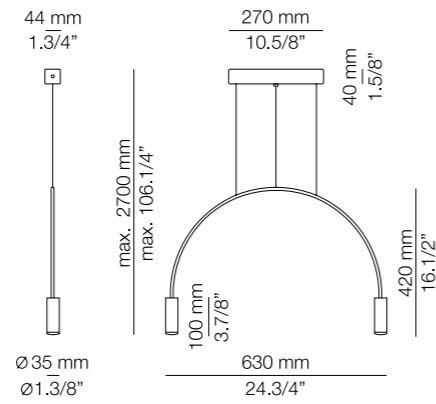


T-3535-M

LED 2x6,1W **A+**
 (3000K / Ang.120°
 >90CRI / 350mA) / 230V
 Typ* 2x578 lumens
 Dimmable Triac

Finishes

- 26 BLK (Body)
 - 26 BLK (Head)
 - 61 S GLD (Head)
- 71 WH (Body)
 - 71 WH (Head)

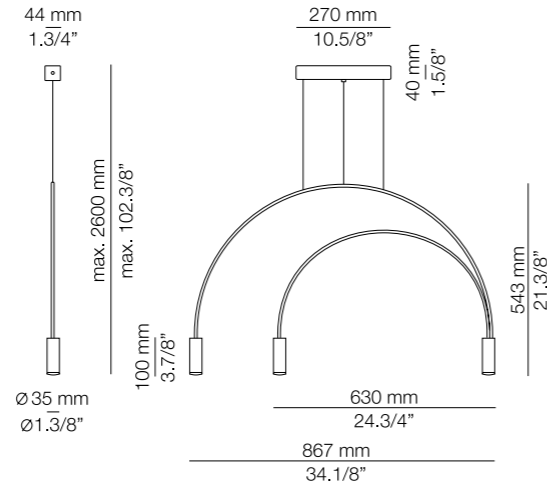


T-3536-M

LED 3x6,1W **A+**
 (3000K / Ang.120°
 >90CRI / 350mA) / 230V
 Typ* 3x578 lumens
 Dimmable Triac

Finishes

- 26 BLK (Body)
 - 26 BLK (Head)
 - 61 S GLD (Head)
- 71 WH (Body)
 - 71 WH (Head)



Contract option

Recessed canopy
 with remote driver

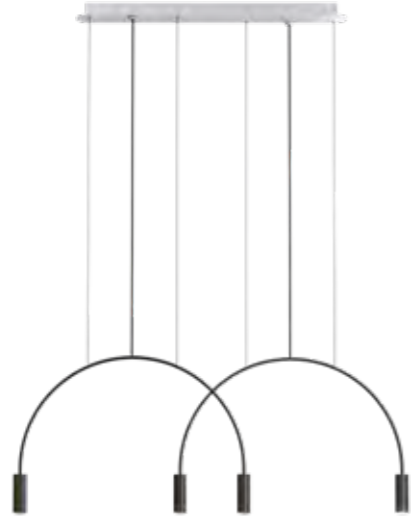


Restaurante Escena by @peanut_design_studio

(ENG) Create your own custom suspension light combining them individually or with our selection of canopies. (ESP) Crea tu propio diseño combinando suspensiones de forma independiente.

LINEAR CANOPY

VOLTA L73.2D

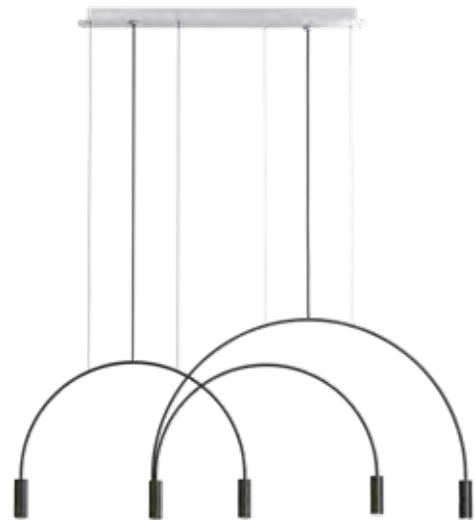


LINEAR CANOPY

VOLTA L165.3D



VOLTA L78.1D1T



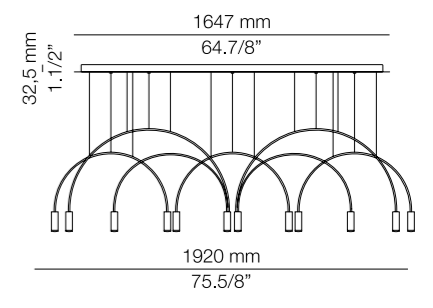
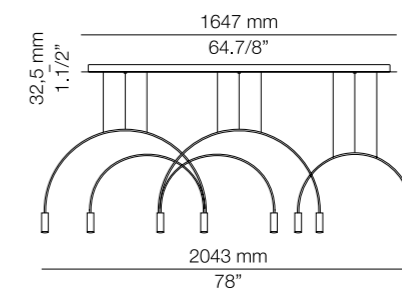
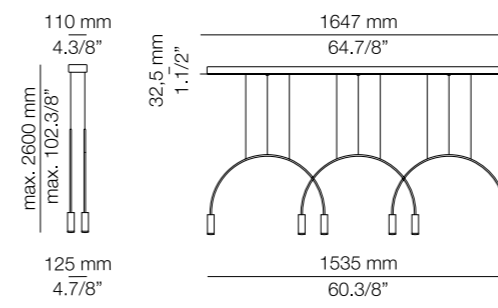
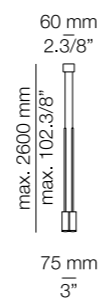
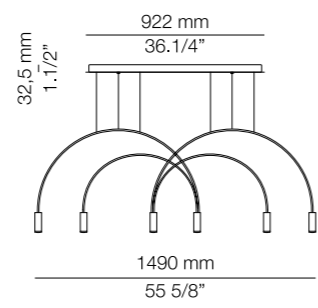
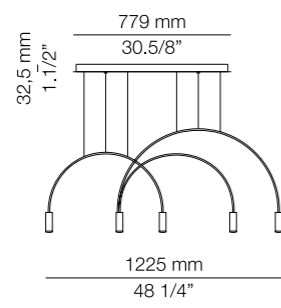
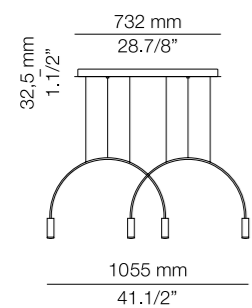
VOLTA L92.2T



VOLTA L165.1D2T

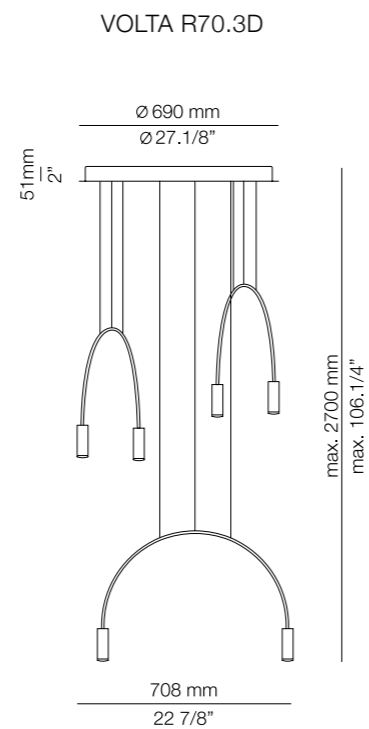
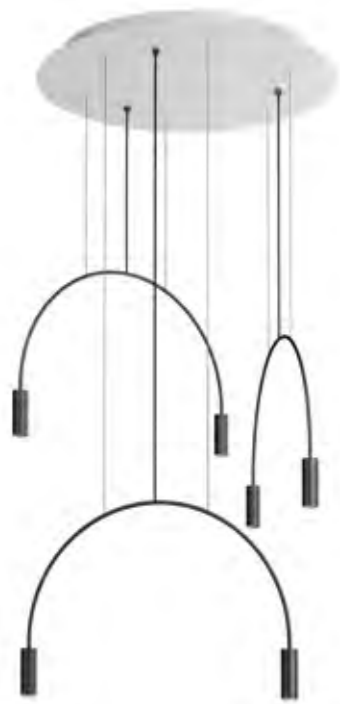
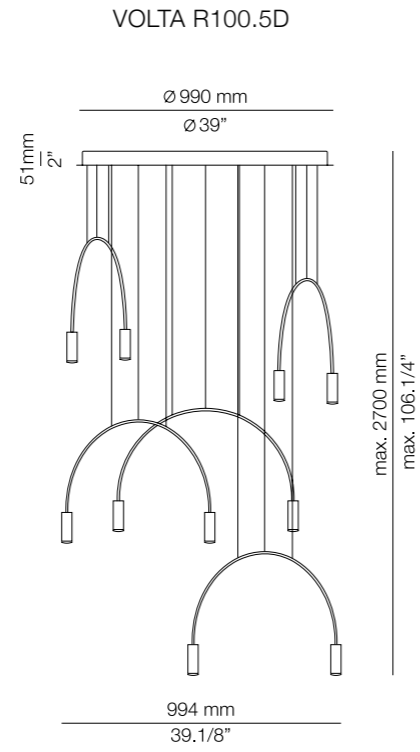


VOLTA L165.3D2T

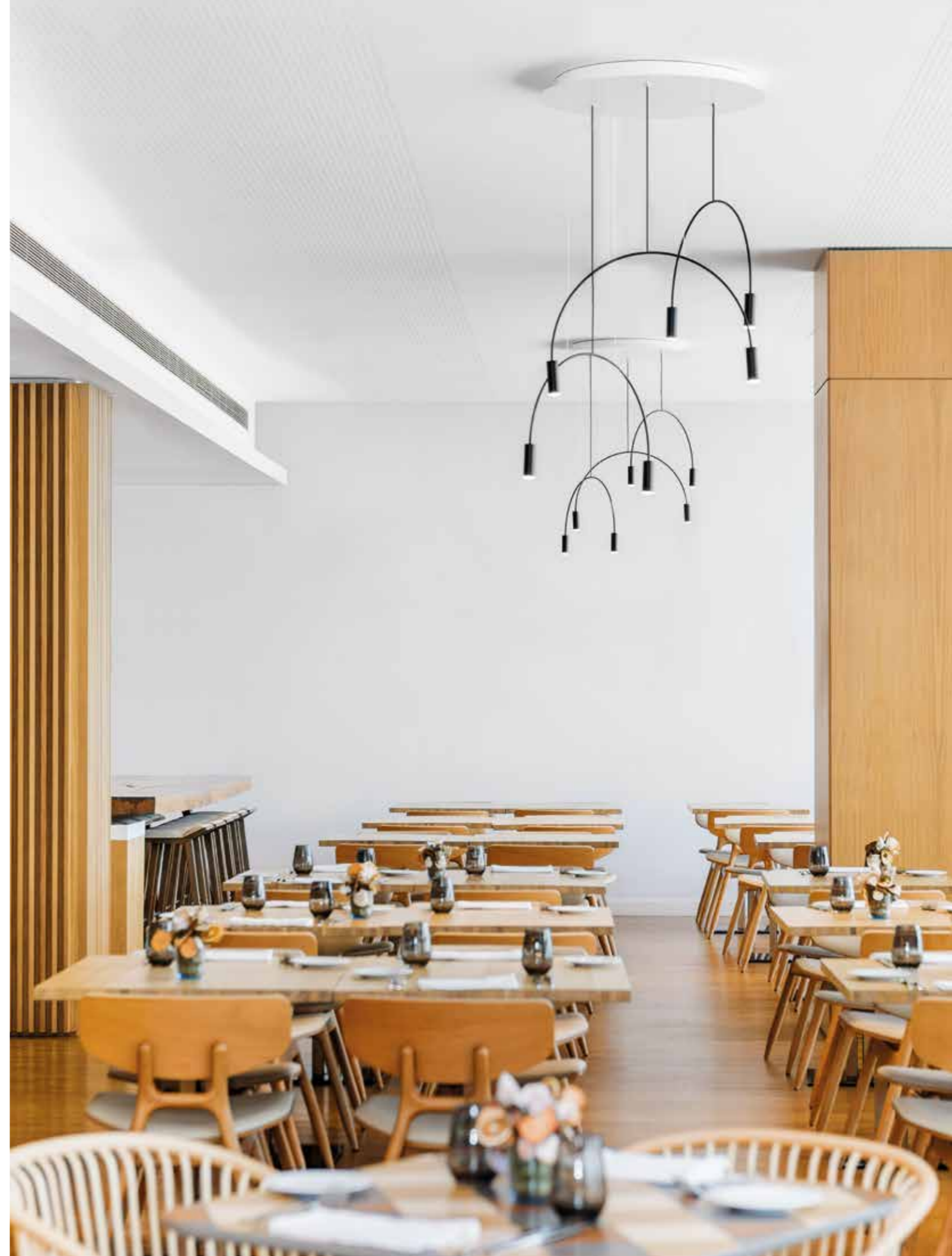




ROUND CANOPY



Hotel Atenea Mar by @carlesgrauches.interiors

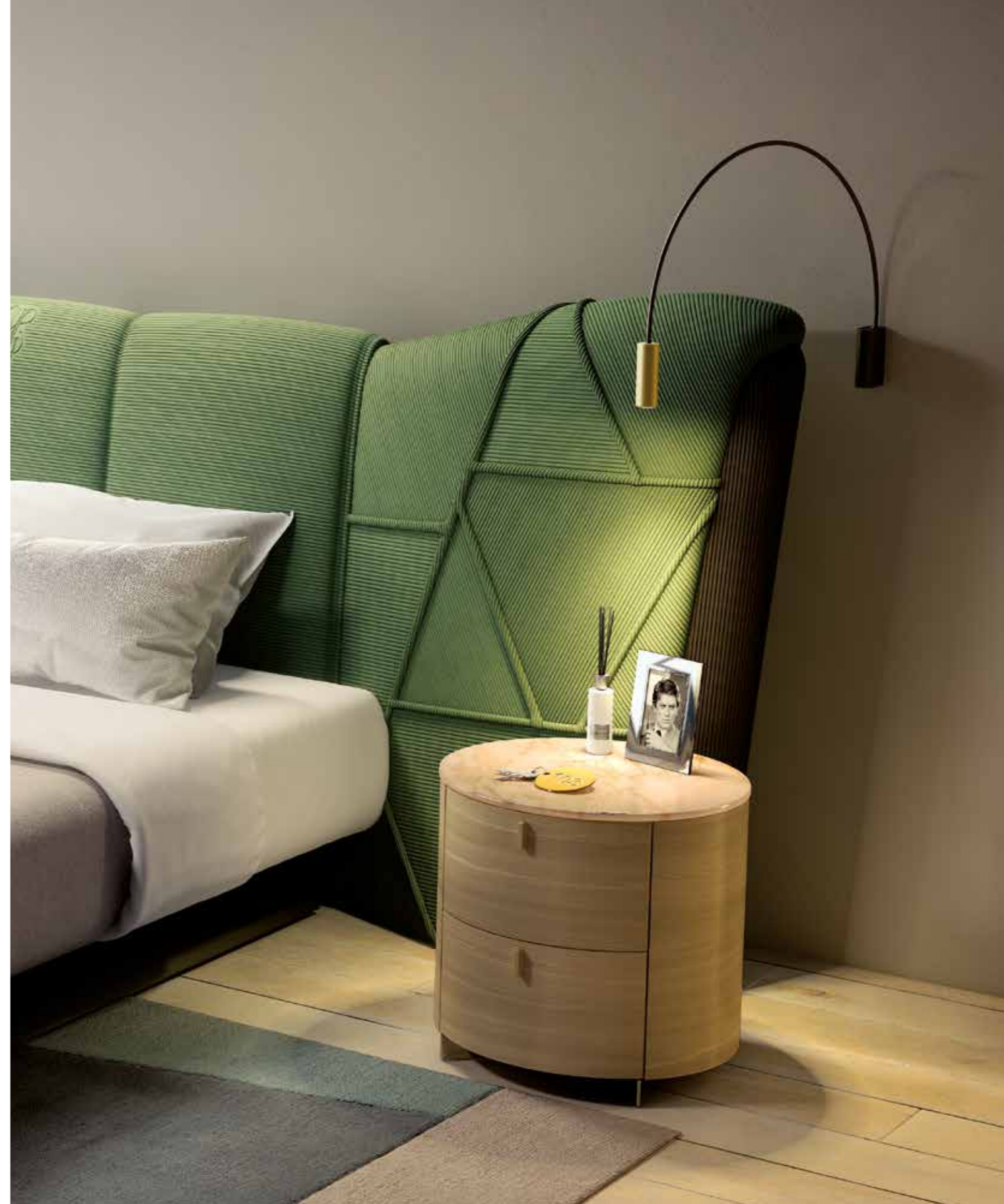




Wall light

190

Volta



Volta

191

Wall light



Hotel Riu Plaza España by #acginteriorismo



Volta

193

Wall light

VOLTA

A-3530-W

LED 6,1W **A+**
 (2700K / Ang.120° / >90CRI
 350mA) / 100V - 240V
 Typ* 565 lumens
 Non Dimmable

Finishes

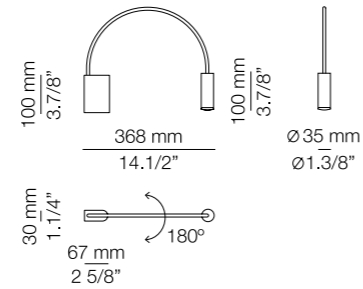
- 26 BLK (Body)
 - 26 BLK (Head)
 - 61 S GLD (Head)
- 71 WH (Body)
 - 71 WH (Head)

A-3530-M

LED 6,1W **A+**
 (3000K / Ang.120° / >90CRI
 350mA) / 100V - 240V
 Typ* 578 lumens
 Non Dimmable

Finishes

- 26 BLK (Body)
 - 26 BLK (Head)
 - 61 S GLD (Head)
- 71 WH (Body)
 - 71 WH (Head)



A-3531-W

LED 6,1W **A+**
 (2700K / Ang.120° / >90CRI
 350mA) / 100V - 240V
 Typ* 565 lumens
 Non Dimmable

Finishes

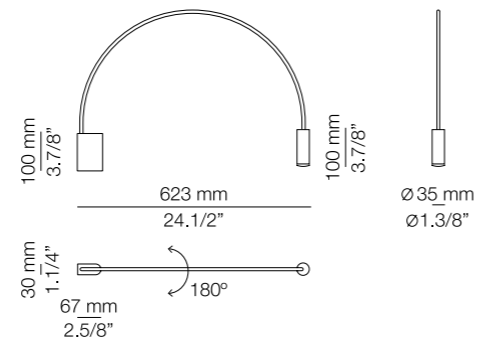
- 26 BLK (Body)
 - 26 BLK (Head)
 - 61 S GLD (Head)
- 71 WH (Body)
 - 71 WH (Head)

A-3531-M

LED 6,1W **A+**
 (3000K / Ang.120° / >90CRI
 350mA) / 100V - 240V
 Typ* 578 lumens
 Non Dimmable

Finishes

- 26 BLK (Body)
 - 26 BLK (Head)
 - 61 S GLD (Head)
- 71 WH (Body)
 - 71 WH (Head)



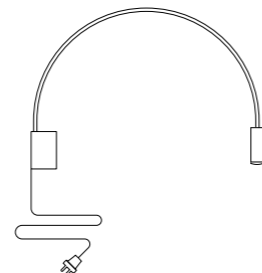
Additional

50° angle acrylic optic lens conversion kit.
 We offer custom finishes, sizes,
 and alternate lamping for projects.

Photographs may show non-standard products.



Cord&Plug accessory



Byron Beach Residence by @byron_beach_abodes @sarahhellisonstudio #jessieprince





196 / Mirazur by @maravillalonpuras 197 / Private residence by @studio_erez_hyatt



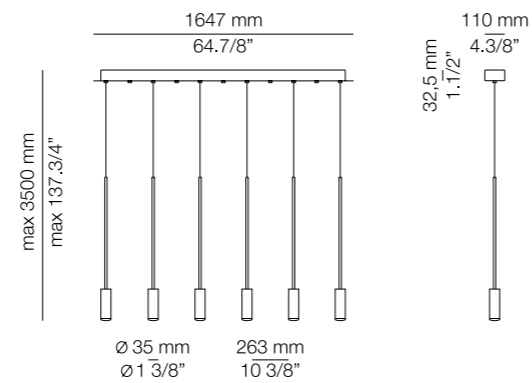
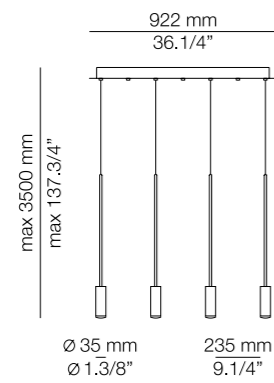
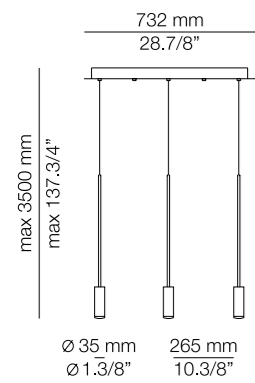
LINEAR CANOPY



VOLTA L73.3S

VOLTA L92.4S

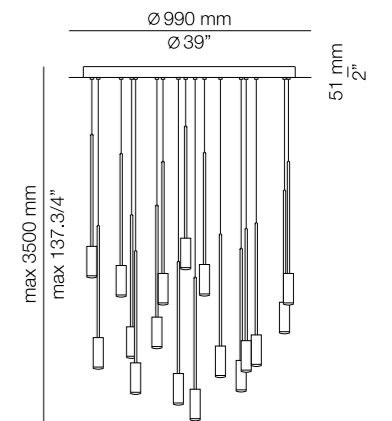
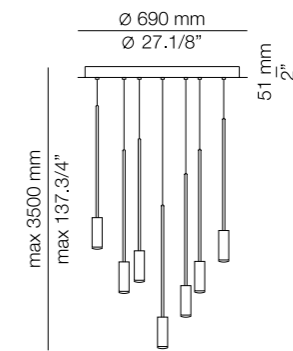
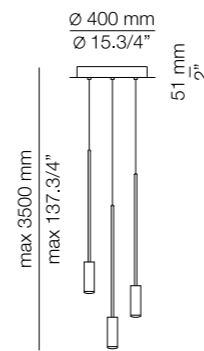
VOLTA L165.6S



VOLTA R40.3S

VOLTA R70.7S

VOLTA R100.17S



ROUND CANOPY



VOLTA

T-3534-W

LED 6,1W **A+**
(2700K / Ang.120° / >90CRI
350mA) / 100V - 240V
Typ* 565 lumens
Non dimmable
(dimmable upon request)
Compositions are dimmable

Finishes

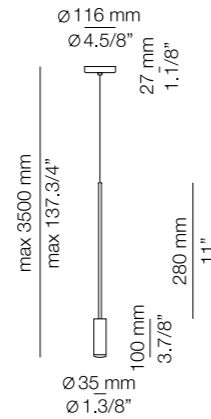
- 26 BLK (Body)
 - 26 BLK (Head)
 - 61 S GLD (Head)
- 71 WH (Body)
 - 71 WH (Head)

T-3534-M

LED 6,1W **A+**
(3000K / Ang.120° / >90CRI
350mA) / 100V - 240V
Typ* 578 lumens
Non dimmable
(dimmable upon request)
Compositions are dimmable

Finishes

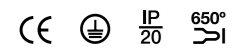
- 26 BLK (Body)
 - 26 BLK (Head)
 - 61 S GLD (Head)
- 71 WH (Body)
 - 71 WH (Head)



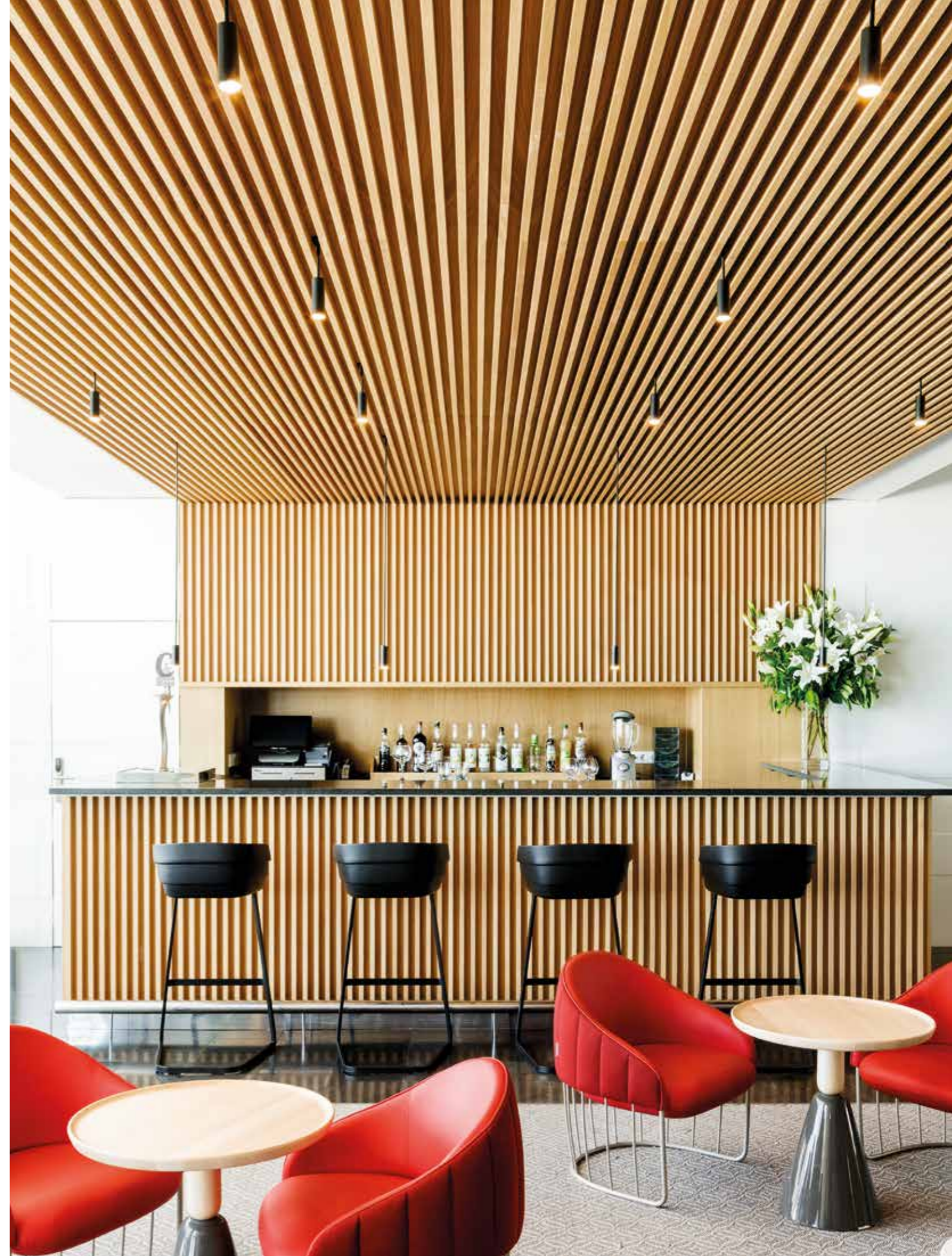
Additional

50° angle acrylic optic lens
conversion kit.
We offer custom finishes, sizes,
and alternate lamping for projects.

Photographs may show non-standard products.



Hotel Atenea Mar @carlesgrauches.interiors





VOLTA

M-3537-W

LED 6,1W **A+**
 (2700K / Ang.120°
 >90CRI / 350mA) / 230V
 Typ* 565 lumens
 On/Off Switch

Finishes

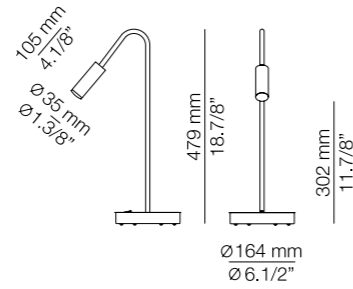
- 26 BLK (Body)
 - 26 BLK (Head)
 - 61 S GLD (Head)
- 71 WH (Body)
 - 71 WH (Head)

M-3537-M

LED 6,1W **A+**
 (3000K / Ang.120°
 >90CRI / 350mA) / 230V
 Typ* 578 lumens
 On/Off Switch

Finishes

- 26 BLK (Body)
 - 26 BLK (Head)
 - 61 S GLD (Head)
- 71 WH (Body)
 - 71 WH (Head)



p-3538-W

LED 6,1W
 (2700K / Ang.120°
 >90CRI / 350mA) / 230V
 Typ* 565 lumens
 Push button dimmer
 on the head

Finishes

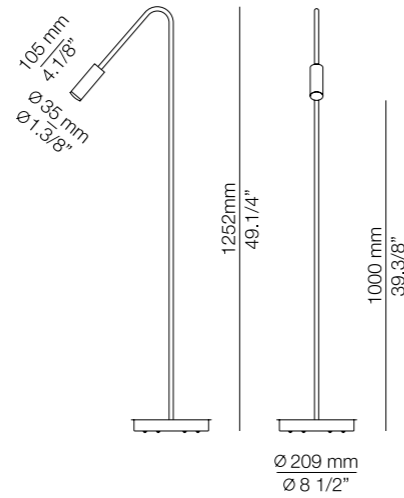
- 26 BLK (Body)
 - 26 BLK (Head)
 - 61 S GLD (Head)
- 71 WH (Body)
 - 71 WH (Head)

p-3538-M

LED 6,1W **A+**
 (3000K / Ang.120°
 >90CRI / 350mA) / 230V
 Typ* 578 lumens
 Push button dimmer
 on the head

Finishes

- 26 BLK (Body)
 - 26 BLK (Head)
 - 61 S GLD (Head)
- 71 WH (Body)
 - 71 WH (Head)



Hotel Atenea Mar @carlasgrauches.interiors



Additional

50° angle acrylic optic lens conversion kit.
 We offer custom finishes, sizes,
 and alternate lamping for projects.

Photographs may show non-standard products.





(ENG) The tactile warmth of natural cork provides a contrast in texture to matt-finished spun aluminium. Acrylic diffuser. (ESP) La calidez del corcho natural contrasta con la textura de la pantalla de aluminio. Difusor de metacrilato.



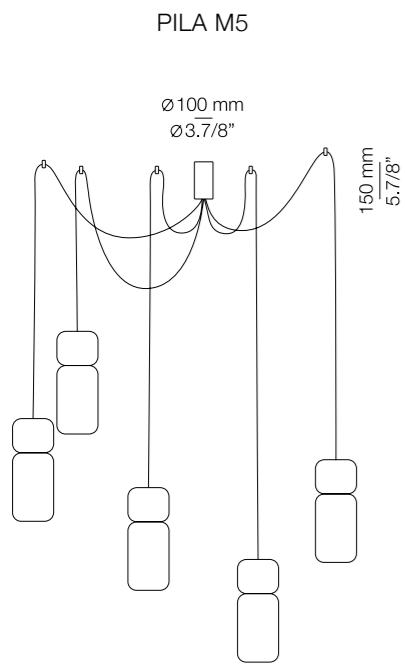
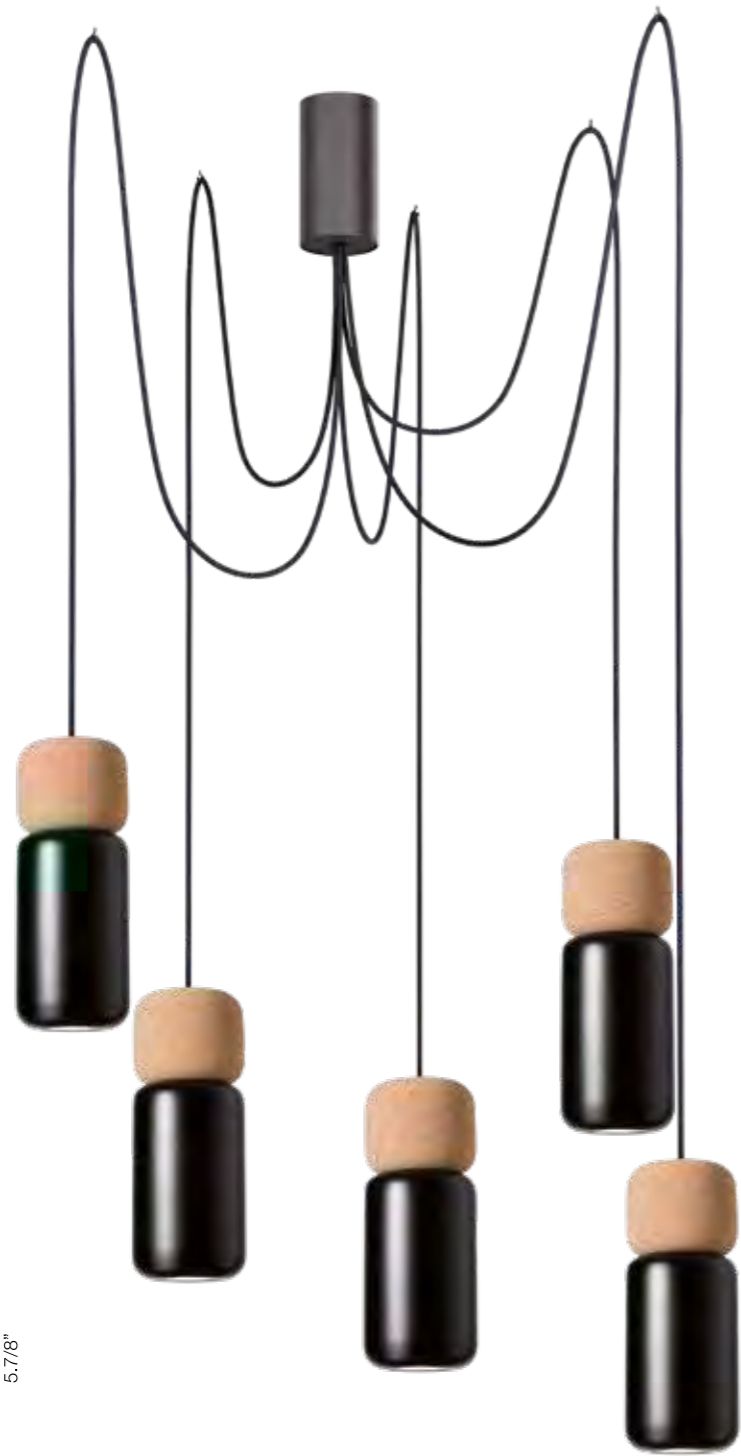
Table lamp

208

Pila

207 / Private residence by @dom_arquitectura 209 / Hotel Magna Ars #margarotgerinteriorisme





Suspension

210

Pila

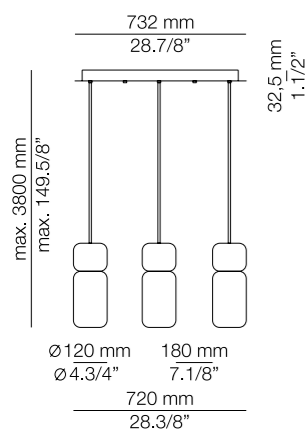
Hotel ME Sitges Terramar @lagranja_design @guillamat



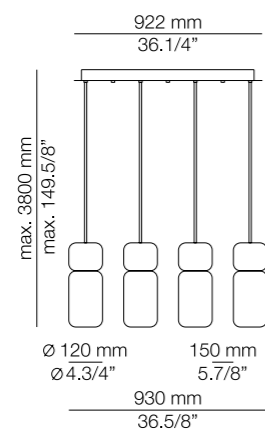
LINEAR CANOPY



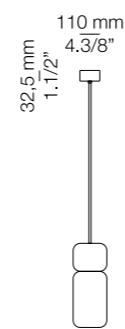
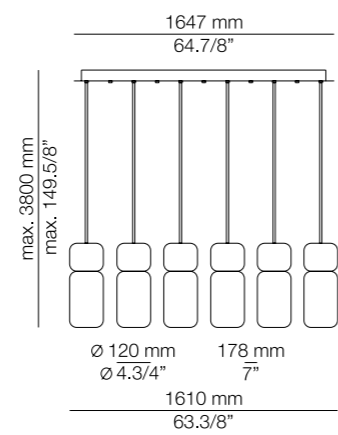
PILA L73.3



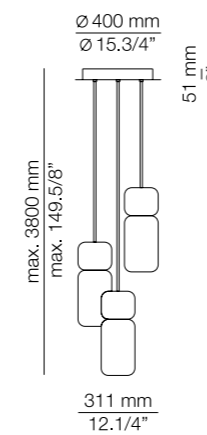
PILA L92.4



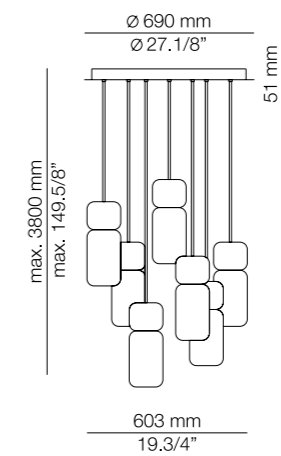
PILA L165.6



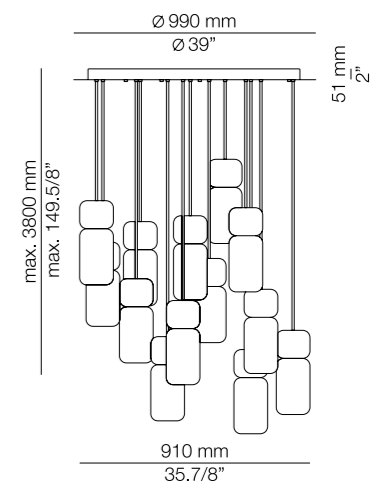
PILA R40.3



PILA R70.7



PILA R100.13



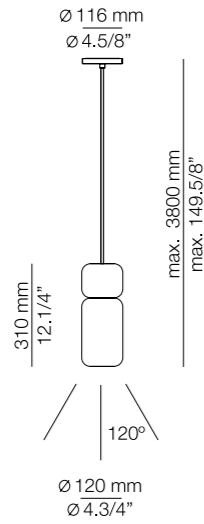
PILA

T-3555S

LED 10W **A+**
(2700K / Ang.120° / >90CRI)
230V / Typ* 730 lumens
Dimmable Triac

Finishes

- 56 BLK
- 74 WH

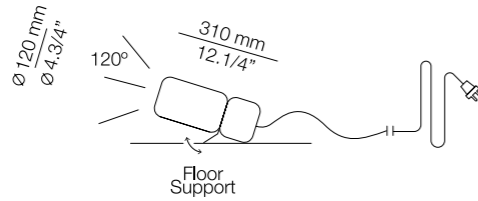


M-3557

LED 10W **A+**
(2700K / Ang.120° / >90CRI)
230V / Typ* 730 lumens
Floor support & Plug
Non Dimmable

Finishes

- 56 BLK
- 74 WH



Additional

We offer custom finishes, sizes,
and alternate lamping for projects.

Photographs may show non-standard products.







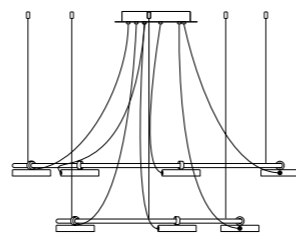
(ENG) Simple to spectacular, Aro offers a minimalist ring of lamps or a single strip of lamps. Aro allows you to create an ambience of beauty and dimension. (ESP) Aro está formada por un conjunto de pantallas minimalistas de aluminio incorporadas a un anillo o a una barra. Esta composición, simple y espectacular, aporta volumen y permite crear una bella atmósfera.



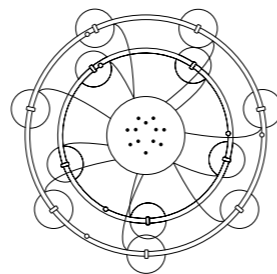




ARO R40.1M1L



Ø1200 mm
48"





(ENG) Aluminium heads with acrylic diffusers rotate 106° on its stem. One Aro ring can be a singularly distinctive pendant, or by combining the two sizes, Aro becomes a chandelier for modern times. Each pendant ring can be installed with its lamps facing upward or downward. (ESP) Pantallas de aluminio con difusores de metacrilato y rotación de 106°. Anillo disponible en dos tamaños que pueden ser combinados para convertirse en una lámpara de araña con múltiples pantallas y un diseño muy actual. Ofrece la posibilidad de instalar cada anillo con sus pantallas dirigidas hacia arriba o hacia abajo.



Hotel Corales Resort by Clickon studio

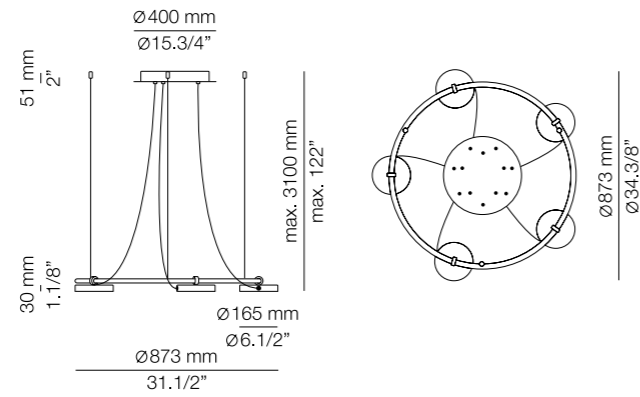
ARO

T-3542

LED 5x10W **A+**
 (2700K / Ang.116° / >90CRI / 24V)
 100V - 277V / Typ* 5x1106 lumens
 Dimmable 0-10V

Finish

● 56 BLK

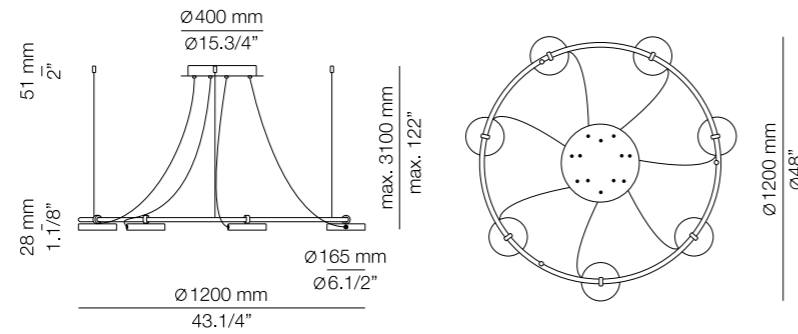


T-3543

LED 7x10W **A+**
 (2700K / Ang.116° / >90CRI / 24V)
 100V - 277V / Typ* 7x1106 lumens
 Dimmable 0-10V

Finish

● 56 BLK

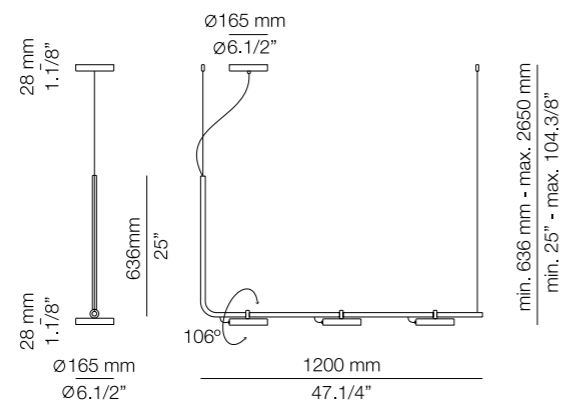


T-3541

LED 3x10W **A+**
 (2700K / Ang.116° / >90CRI / 24V)
 100V - 277V / Typ* 3x1106 lumens
 Dimmable 0-10V

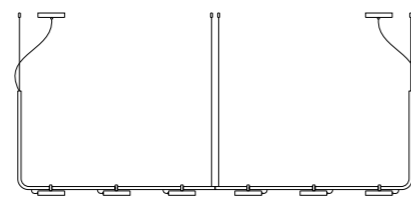
Finish

● 56 BLK



Additional

We offer custom finishes, sizes,
 and alternate lamping for projects.
Photographs may show non-standard products.



Grandvalira by @rosacolet_design





(ENG) Acrylic diffuser and sensor dimmer on the head.
(ESP) Difusor de metacrilato y regulador táctil en la pantalla.

Table lamp

228

Private residence by @dom_arquitectura



Aro

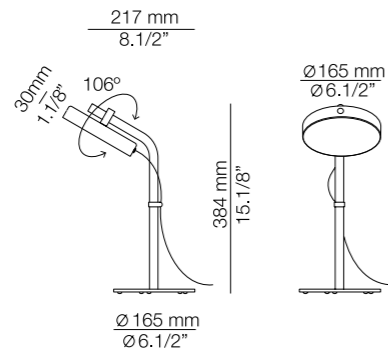
ARO

M-3547

LED 10W **A+**
(2700K / Ang.116° / >90CRI / 700mA)
100V - 240V / Typ* 1106 lumens
Sensor dimmer on the head

Finish

● 56 BLK

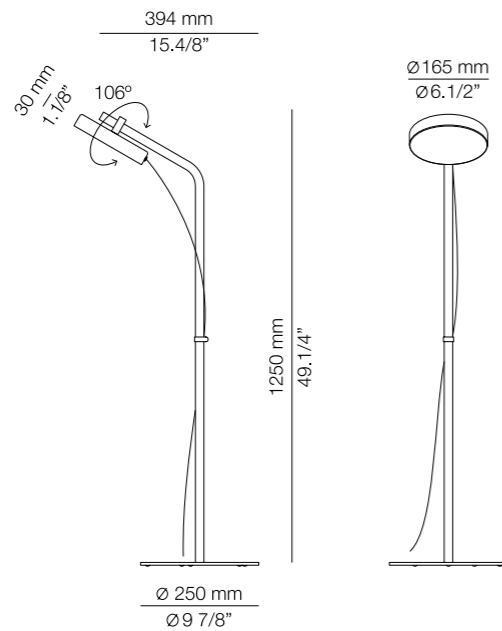


p-3548

LED 10W **A+**
(2700K / Ang.116° / >90CRI / 700mA)
100V - 240V / Typ* 1106 lumens
Sensor dimmer on the head

Finish

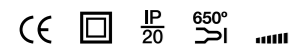
● 56 BLK



Additional

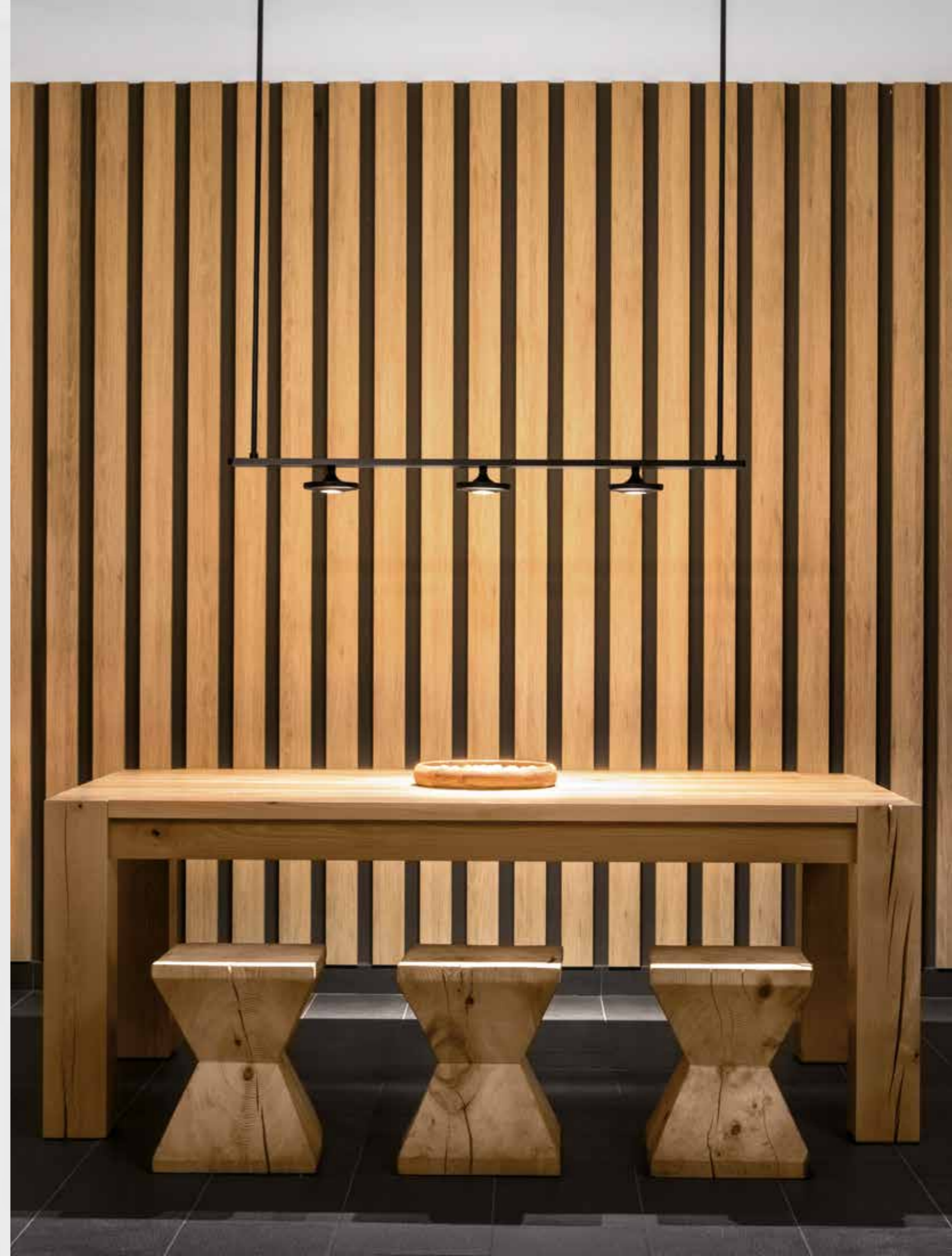
We offer custom finishes, sizes,
and alternate lamping for projects.

Photographs may show non-standard products.



Private residence by @studio_erez_hyatt







(ENG) A suspended track system with independently positionable and dimmable heads also leads a double life as a shelf. The family includes a pendant lamp. (ESP) Carril en forma de suspensión con pantallas que permiten su colocación y regulación de forma independiente y con la versatilidad de poder ser utilizado como estante. La familia incluye una suspensión individual.

233 / Grandvalira by @rosacolet_design 234 / Office by @francescristudio





236 / Private residence by @dom_arquitectura 237 / Showroom Aster Cucine by Studio Novati



(ENG) Display your favorite objects or books on Button's topside shelf. Safely holds up to 30Kg / 65lbs. (ESP) Decora la parte superior del carril con tus objetos favoritos o utilízalo como estantería. Sostiene con seguridad hasta 30Kg.

Suspension

236

Button

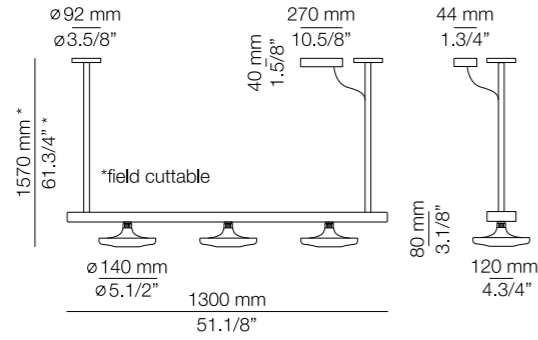
BUTTON

T-3305

LED 3x10W **A+**
 (3000K / Ang.58° / >80CRI / 350mA)
 100V - 240V / Typ* 3x1073 lumens
 Sensor dimmer on each head

Finishes

- 26 BLK
- 71 WH
- 93 GR LM

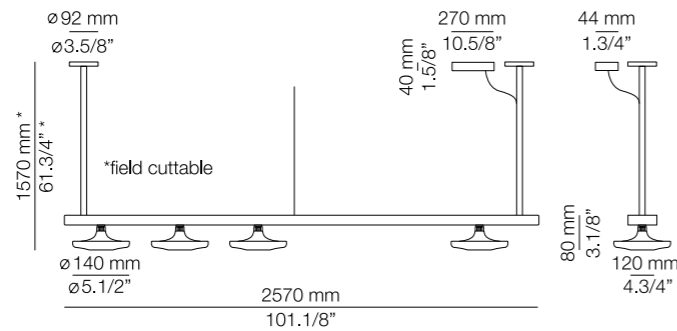


T-3306

LED 4x10W **A+**
 (3000K / Ang.58° / >80CRI / 350mA)
 100V - 240V / Typ* 4x1073 lumens
 Sensor dimmer on each head

Finishes

- 26 BLK
- 71 WH
- 93 GR LM

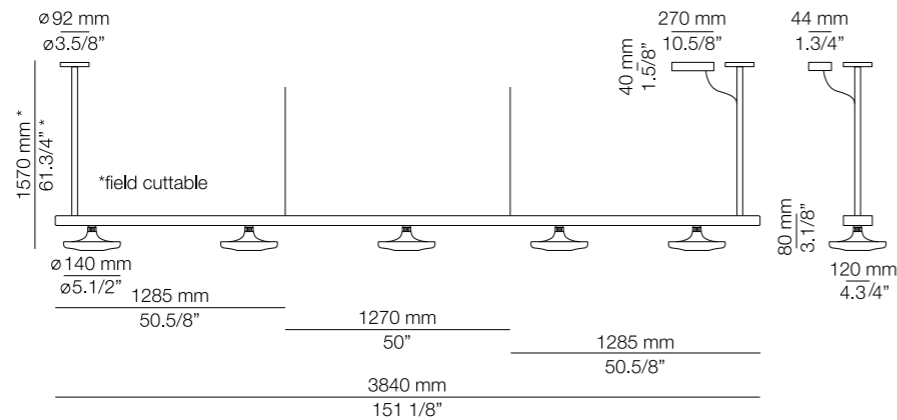


T-3307

LED 5x10W **A+**
 (3000K / Ang.58° / >80CRI / 350mA)
 100V - 240V / Typ* 5x1073 lumens
 Sensor dimmer on each head

Finishes

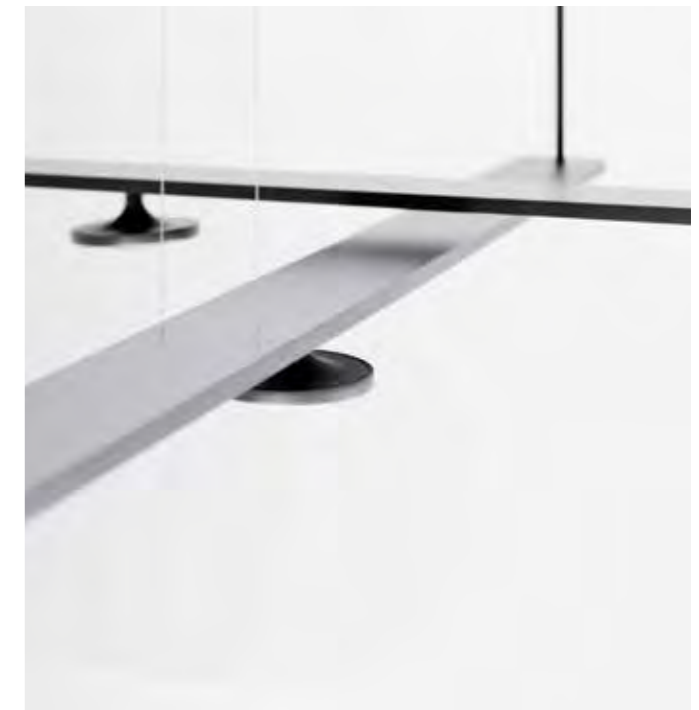
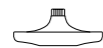
- 26 BLK
- 71 WH
- 93 GR LM



Additional

*Field cuttable stems.
 We offer custom finishes, sizes,
 and alternate lamping for projects.
Photographs may show non-standard products.

Additional heads available



Office by @francescristestudio





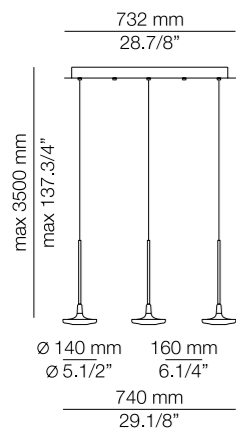
240 / Private residence by @molinsdesign 241 / Bathroom by @cosmicbath



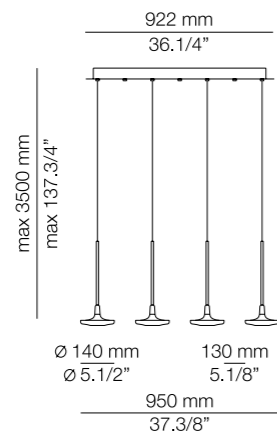
LINEAR CANOPY



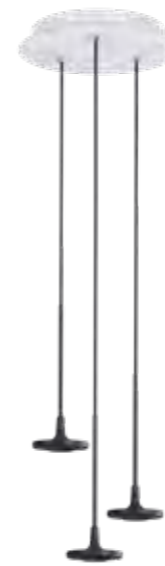
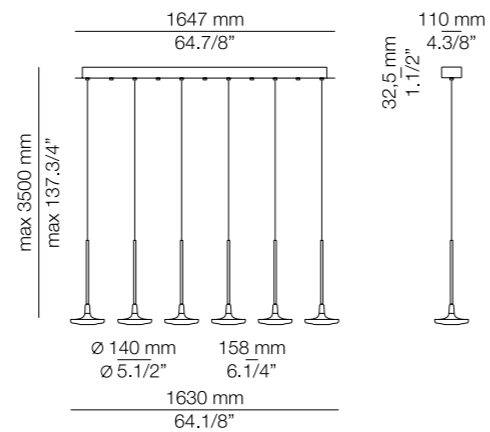
BUTTON L73.3



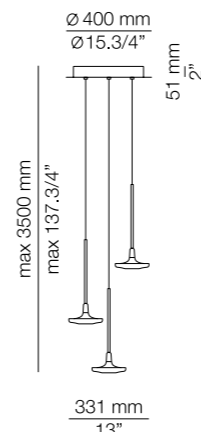
BUTTON L92.4



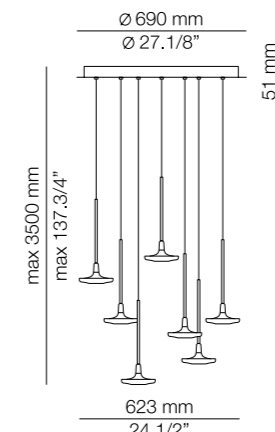
BUTTON L165.6



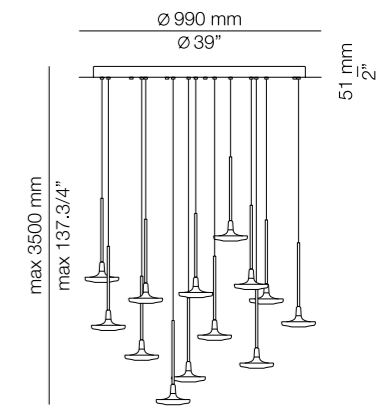
BUTTON R40.3



BUTTON R70.7



BUTTON R100.13



BUTTON

T-3302S

LED 10W **A++**
(3000K / Ang.58° / >80CRI / 350mA)
100V - 240V / Typ* 1073 lumens
Non dimmable (dimmable upon request)
Compositions are dimmable

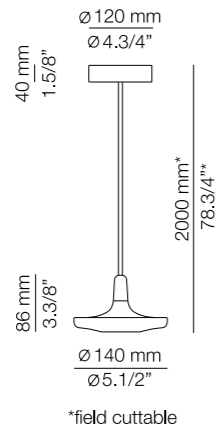
Finishes

- 26 BLK
- 71 WH
- 93 GR LM

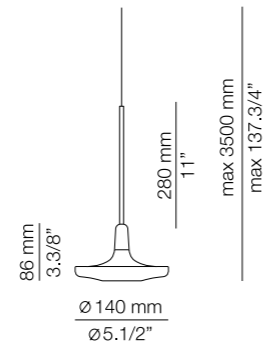
Additional

We offer custom finishes, sizes,
and alternate lamping for projects.

Photographs may show non-standard products.

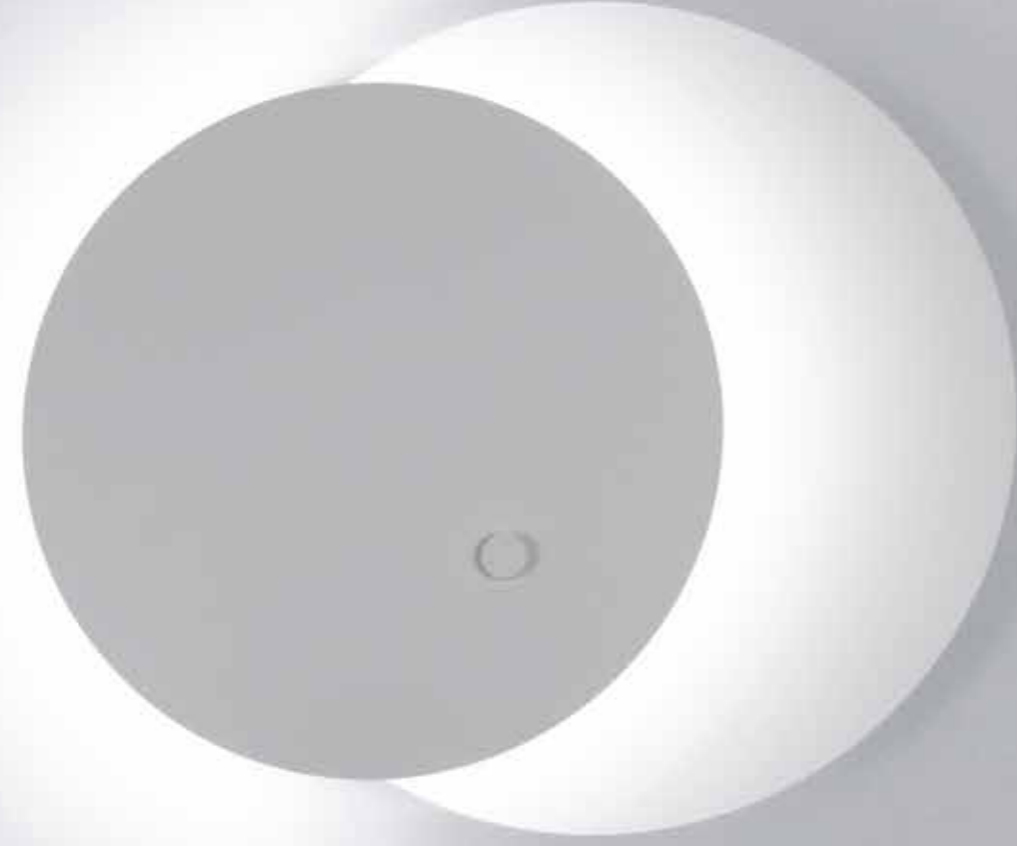


T-3302C



245 / Grandvalira by @rosacoleto_design



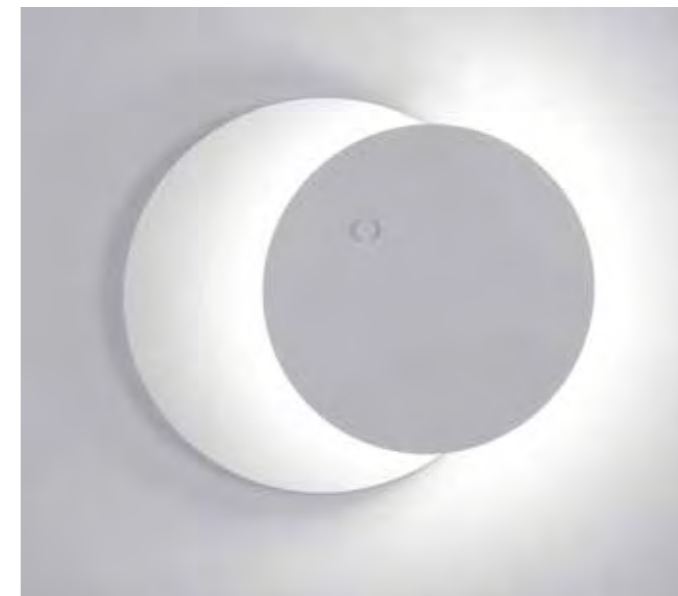






247 / Hotel Terra Domicata by @blackvelvetstudio_bcn 250 / Tast Català Restaurant by @nordiothink_

(ENG) A play of light and shadow through the superposition of two disks. The user creates the illusion of an eclipse by rotating the front disk to reveal soft, indirect light. (ESP) Un juego de luces y sombras a partir de la superposición de dos círculos que, con iluminación indirecta, generan un mágico efecto de eclipse mediante la rotación de la pantalla frontal.



Wall light

250

Ecplisi

Eclipsi

251

Wall light

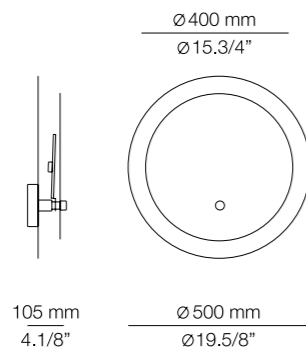
ECLIPSI

A-3700 / t-3700

LED 23W **A+**
(2700K / Ang.120° / >80CRI)
120V - 277V / Typ* 2280 lumens
Dimmable Triac

Finish

○ 74 WH

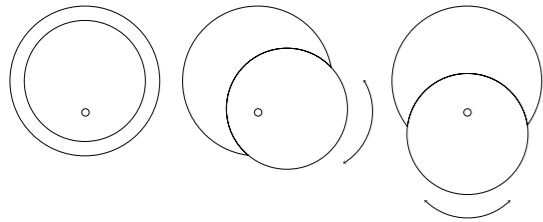
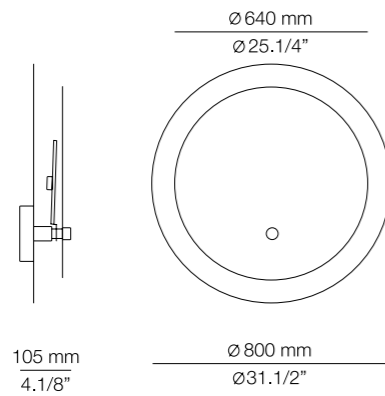


A-3701

LED 34W **A+**
(2700K / Ang.120° / >80CRI)
120V - 277V / Typ* 3305 lumens
Dimmable Triac

Finish

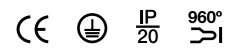
○ 74 WH



Additional

We offer custom finishes, sizes,
and alternate lamping for projects.
Contract option minimum quantity required.

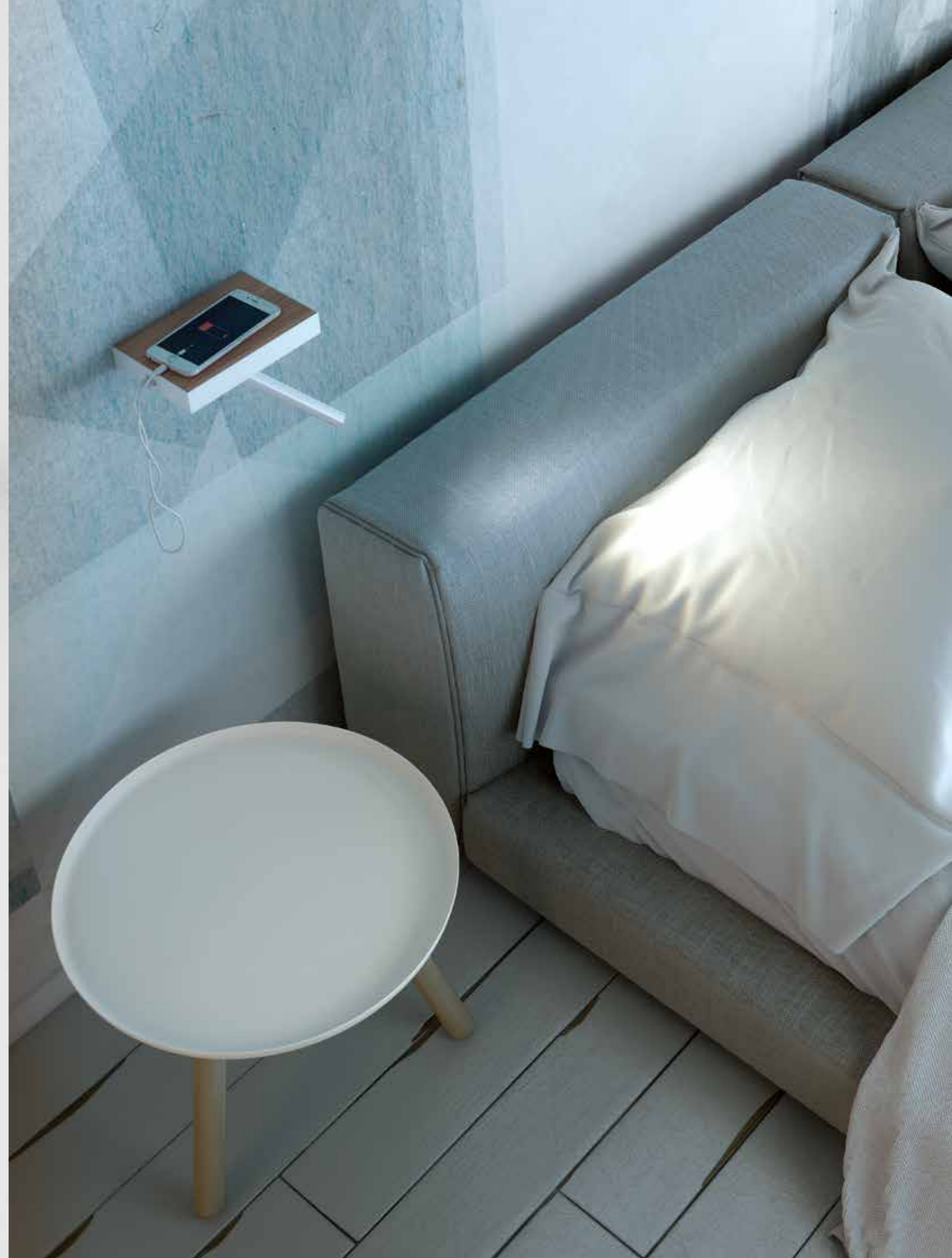
Photographs may show non-standard products.



Contract option

Wall light with laser cut signage





(ENG) Multi-tasking: a pivoting arm reading light with a wood shelf and integrated USB charger. (ESP) Un estante polivalente con un brazo de lectura orientable y cargador USB integrado. Cuerpo metálico y parte superior acabada en madera.

NIT

A-3520

LED 1W **A+**
(3000K / Ang.60° / >80 CRI
350mA) 100V - 240V / Typ* 96 lumens
Non Dimmable
On/Off switch
2 Amp USB Charger

Finish body

○ 74 WH

Finish shelf

○ 74 WH

● 80 FSN 0

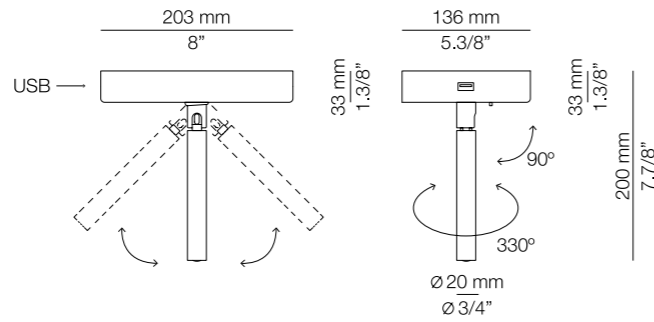
● 81 ZB

Additional

We offer custom finishes, sizes,
and alternate lamping for projects.

Photographs may show non-standard products

CE   

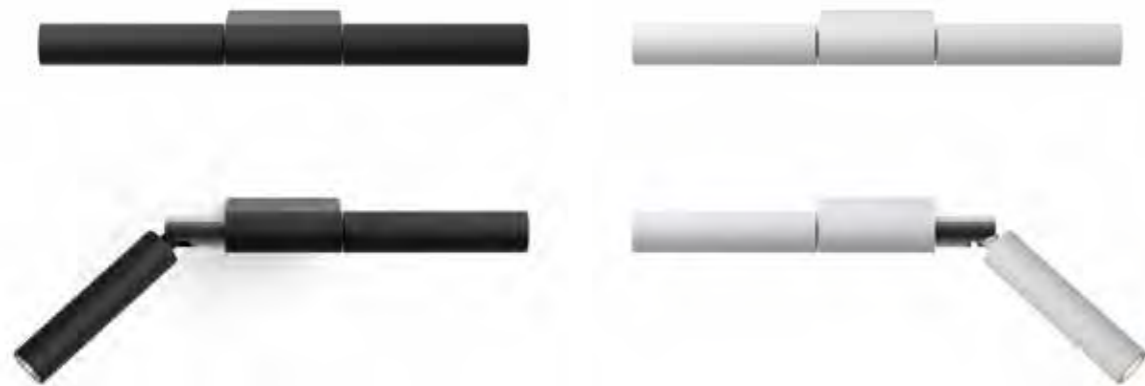


Ximo Roca Diseño

258

CANUT





^(ENG) Two independently adjustable reading lights mounted horizontally allows one to read without disturbing the rest of a sleeping partner. The vertically mounted version has an adjustable reading arm. ^(ESP) Dos brazos orientables montados en horizontal en el centro de la cama proyectan la luz hacia el exterior, permitiendo una lectura agradable y sin molestar. Versión vertical formada por un brazo de lectura orientable e iluminación indirecta.



CANUT

A-3571

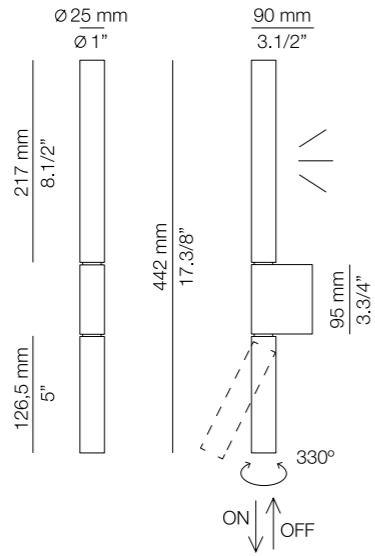
LED 3W **A++**
(2700K / Ang.50° / >90 CRI / 24V)
100V - 240V / Typ* 300 lumens
Non Dimmable
On/Off push button switch

+

LED 1W **A++**
(3000K / Ang.120° / >80 CRI / 350mA)
100V - 240V / Typ* 145 lumens
Non Dimmable

Finishes

- 47 NI M
- 26 BLK
- 74 WH

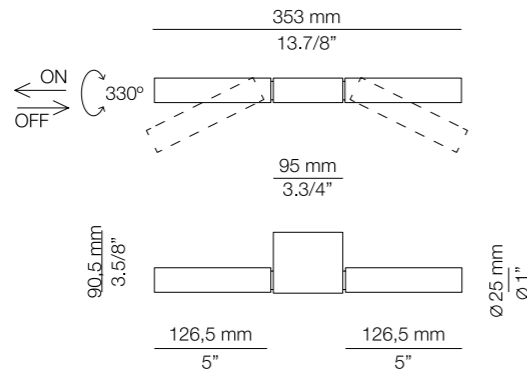


A-3570

LED 2x3W **A++**
(2700K / Ang.50° / >90 CRI / 24V)
100V - 240V / Typ* 2x300 lumens
Non Dimmable
2xOn/Off push button switch

Finishes

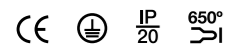
- 47 NI M
- 26 BLK
- 74 WH



Additional

We offer custom finishes, sizes,
and alternate lamping for projects.

Photographs may show non-standard products.







265 / Reception area by @dydinteriorismo 266 & 267 / Residence by @dydinteriorismo

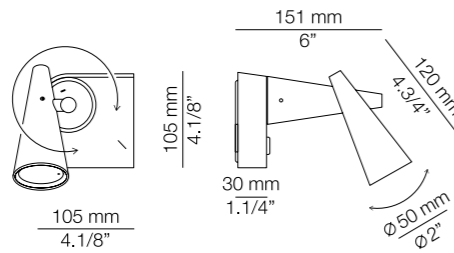


^(ENG) Reading lamp of small dimensions formed by two conical pieces joined at their ends. Its aesthetics and name refer us to a Cornet, the wind instrument that inspired this design. ^(ESP) Aplique de lectura de dimensiones reducidas formado por dos piezas cónicas unidas por sus extremos, una de las cuales es una pantalla orientable para iluminación puntual y de lectura. Su estética y su nombre nos remiten a una corneta, el instrumento de viento que ha servido de inspiración para dar forma a este diseño.

CORNET

A-3330

LED 3W **A+**
(2700K / Ang.120° / >90CRI / 24V)
100V - 240V / Typ* 300 lumens
On/Off Switch



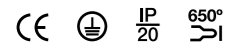
Finishes

- 47 L NI M
- 74 WH

Additional

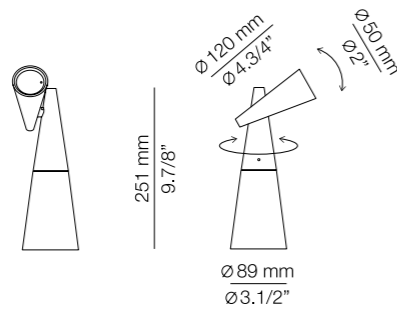
We offer custom finishes, sizes,
and alternate lamping for projects.

Photographs may show non-standard products.



M-3335

LED 3W **A+**
(2700K / Ang.120° / >90CRI / 24V)
230V / Typ* 300 lumens
On/Off Switch



Finishes

- 47 L NI M
- 74 WH

Additional

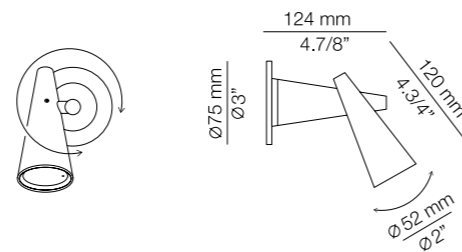
We offer custom finishes, sizes,
and alternate lamping for projects.
Contract option minimum quantity required.

Photographs may show non-standard products.



Contract option

Recessed canopy with remote driver.



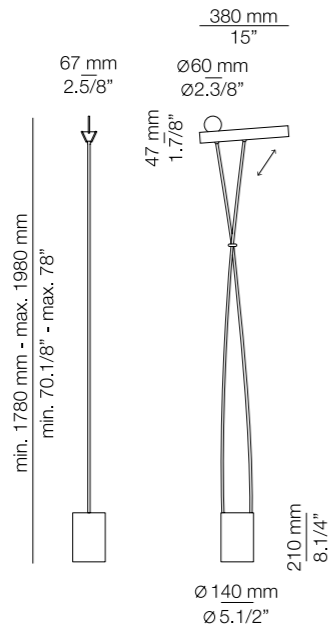


(ENG) Elegant minimalism in a floor lamp which brilliantly illuminates its space with an uplight and a soft downlight. The stem allows adjustment of the head tilt for optimal effect. Adjustment of the head angle changes the mood of the room with its light reflected on the ceiling or wall to create intimate space. (ESP) Minimalismo elegante en una lámpara de pie que ilumina intensamente el espacio con iluminación mayoritariamente indirecta. Las varillas permiten la inclinación de la pantalla para crear un espacio íntimo y potenciar la reflexión de la luz consiguiendo un efecto óptimo.

LEO

P-3568

LED 2x17W **A+**
 (3000K / Ang.120° / >80CRI
 700mA) 230V / Typ* 4120 lumens
 Dimmer on the base
 On/Off foot switch



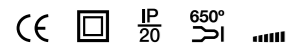
Finish

● 26 BLK

Additional

We offer custom finishes, sizes, and alternate lamping for projects.

Photographs may show non-standard products.



271 & 273 / Office by @dylinteriorismo





(ENG) This collection of small and large lamps with metal shades and diffused lights offers different solutions for lighting spaces both public and private. Acrylic diffuser. (ESP) Esta colección de lámparas grandes y pequeñas con pantalla metálica e iluminación difusa ofrece soluciones para espacios públicos y privados. Pantalla de aluminio con metacrilato inferior.



274 / Tast Català Restaurant by @nordicthink_ 276 / Hotel Bel Air @dennysvonarend 277 / Private Residence by @Dom_arquitectura

Suspension

276

Maine



LINEAR CANOPY

ROUND CANOPY



MAINE L73.3S

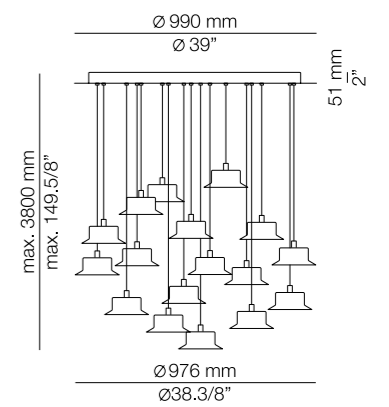
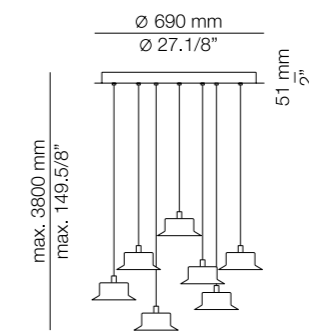
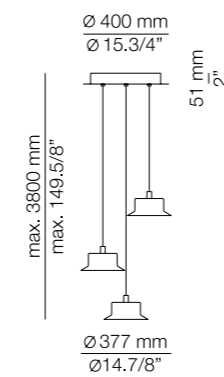
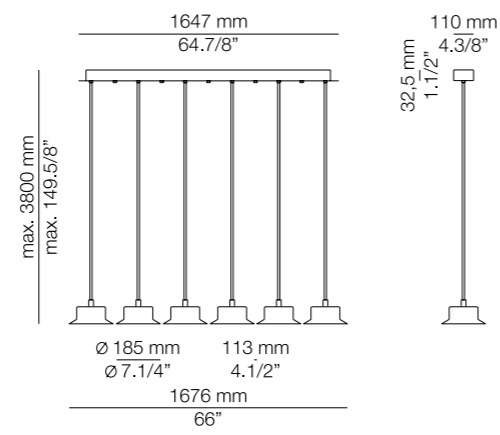
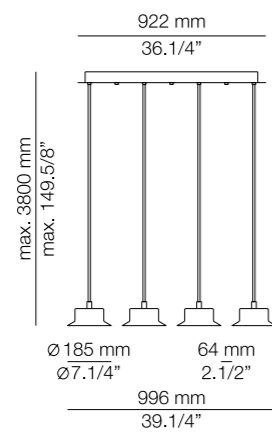
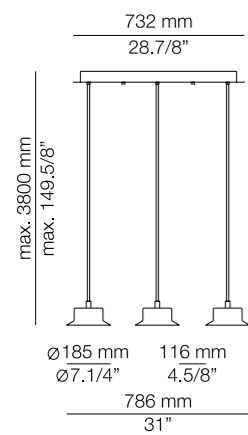
MAINE L92.4S

MAINE L165.6S

MAINE R40.3S

MAINE R70.7S

MAINE R100.17S



LINEAR CANOPY

ROUND CANOPY



MAINE L73.2M

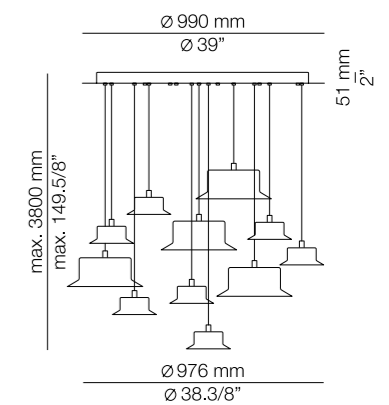
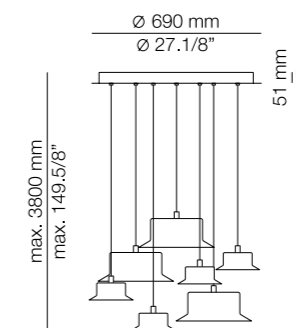
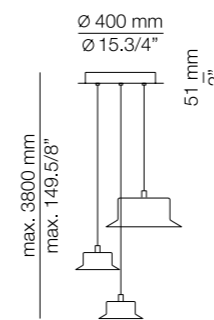
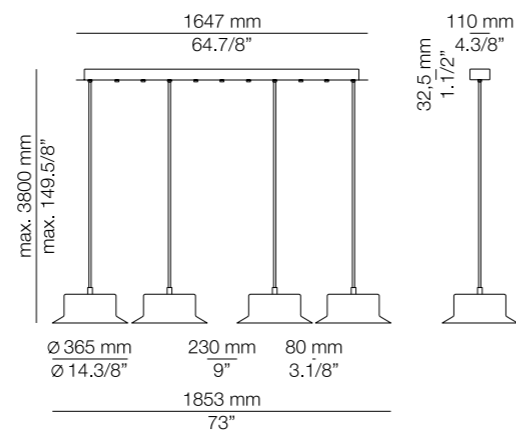
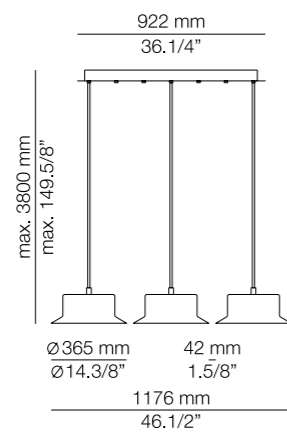
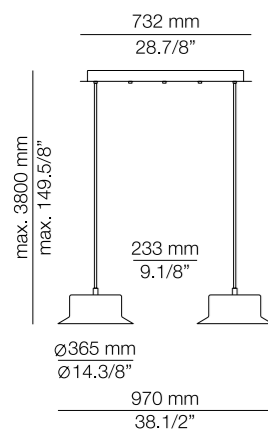
MAINE L92.3M

MAINE L165.4M

MAINE R40.2S1M

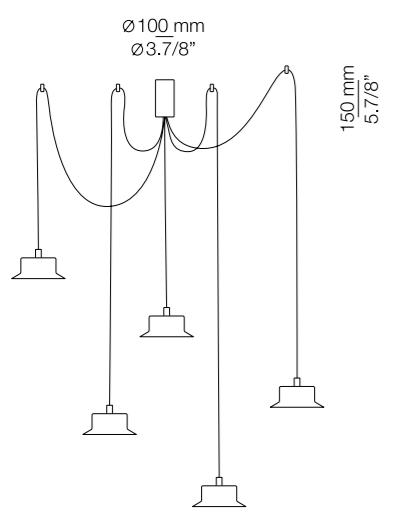
MAINE R70.4S3M

MAINE R100.7S4M





MAINE M5S



Suspension

282

Maine





Ceiling light

284

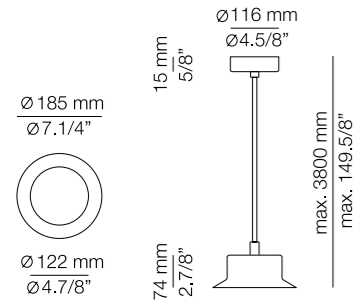
Maine



MAINE

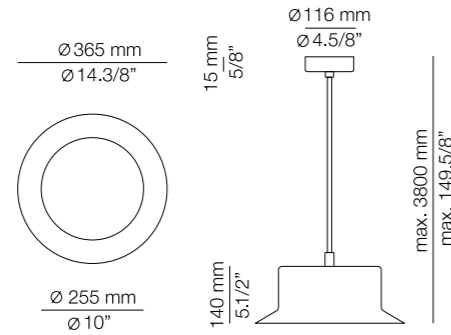
T-3415LS

LED 10W **A+**
 (2700K / Ang.120° / >90CRI)
 230V / Typ* 730 lumens
 Dimmable Triac



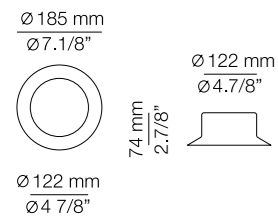
T-3416LS

LED 15W **A+**
 (2700K / Ang.120° / >90CRI)
 230V / Typ* 1092 lumens
 Dimmable Triac



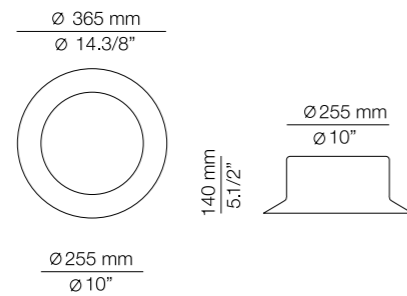
t-3410L / A-3410L

LED 10W **A+**
 (2700K / Ang.120° / >90CRI)
 230V / Typ* 730 lumens
 Dimmable Triac



t-3411L

LED 15W **A+**
 (2700K / Ang.120° / >90CRI)
 230V / Typ* 1092 lumens
 Dimmable Triac



Finish body

- 26 BLK
- 44 CP
- 61 S GLD
- 74 WH

Additional

We offer custom finishes, sizes, and alternate lamping for projects. Contract option minimum quantity required.

Photographs may show non-standard products.

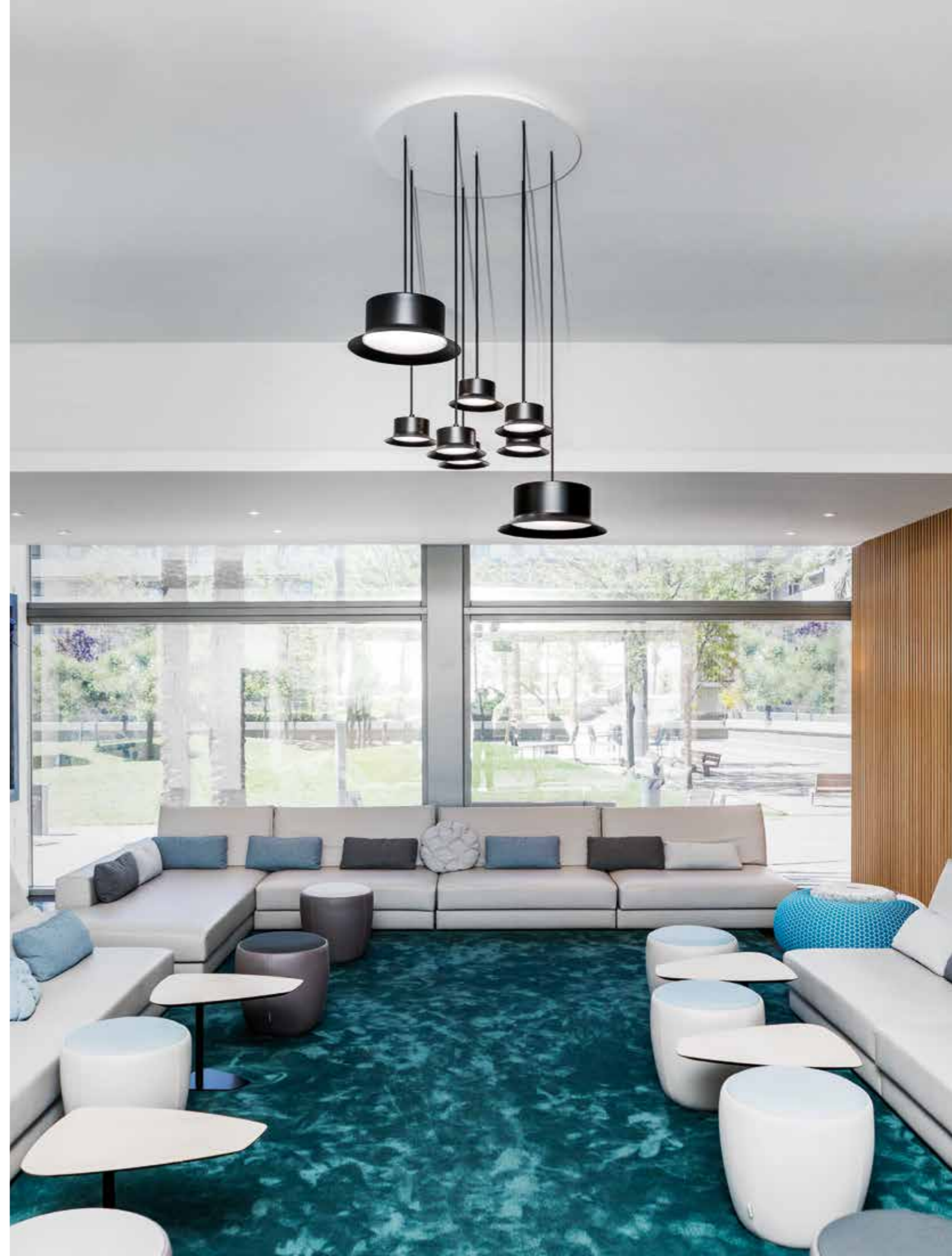


Contract option

Wall light with laser cut signage



Hotel Atenea Mar by @caitesgrauches.interiors







288 / IMM Cologne by @reifrau_moebel

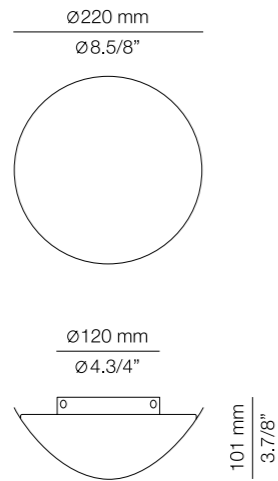


(ENG) Diffused light illuminates and informs. A curved metal front plate offers optional signage for indoor and outdoor use. Satinated polyethylene shade with metal front plate. (ESP) Luz difusa que ilumina e informa. Difusor de polietileno satinado con pantalla frontal metálica, una placa metálica curvada con señalización opcional para interior y exterior.

LUNE

A-3370

LED 10W **A+**
(2700K / Ang.120° / >90CRI)
230V / Typ* 730 lumens
Dimmable Triac



Finishes outdoor

- 26 BLK
- 74 WH
- 80 RT

Finishes indoor

- 61 S GLD
- 37 NI

Additional

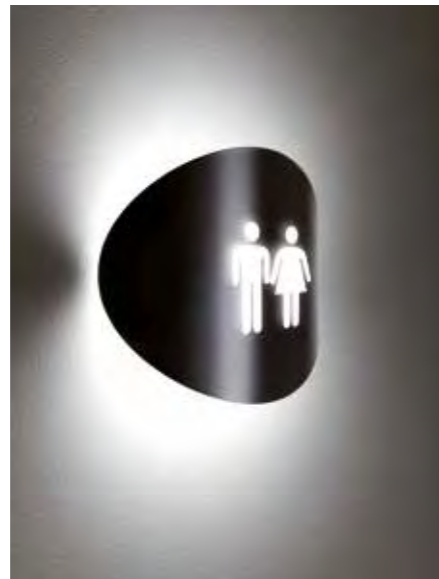
We offer custom finishes, sizes,
and alternate lamping for projects.

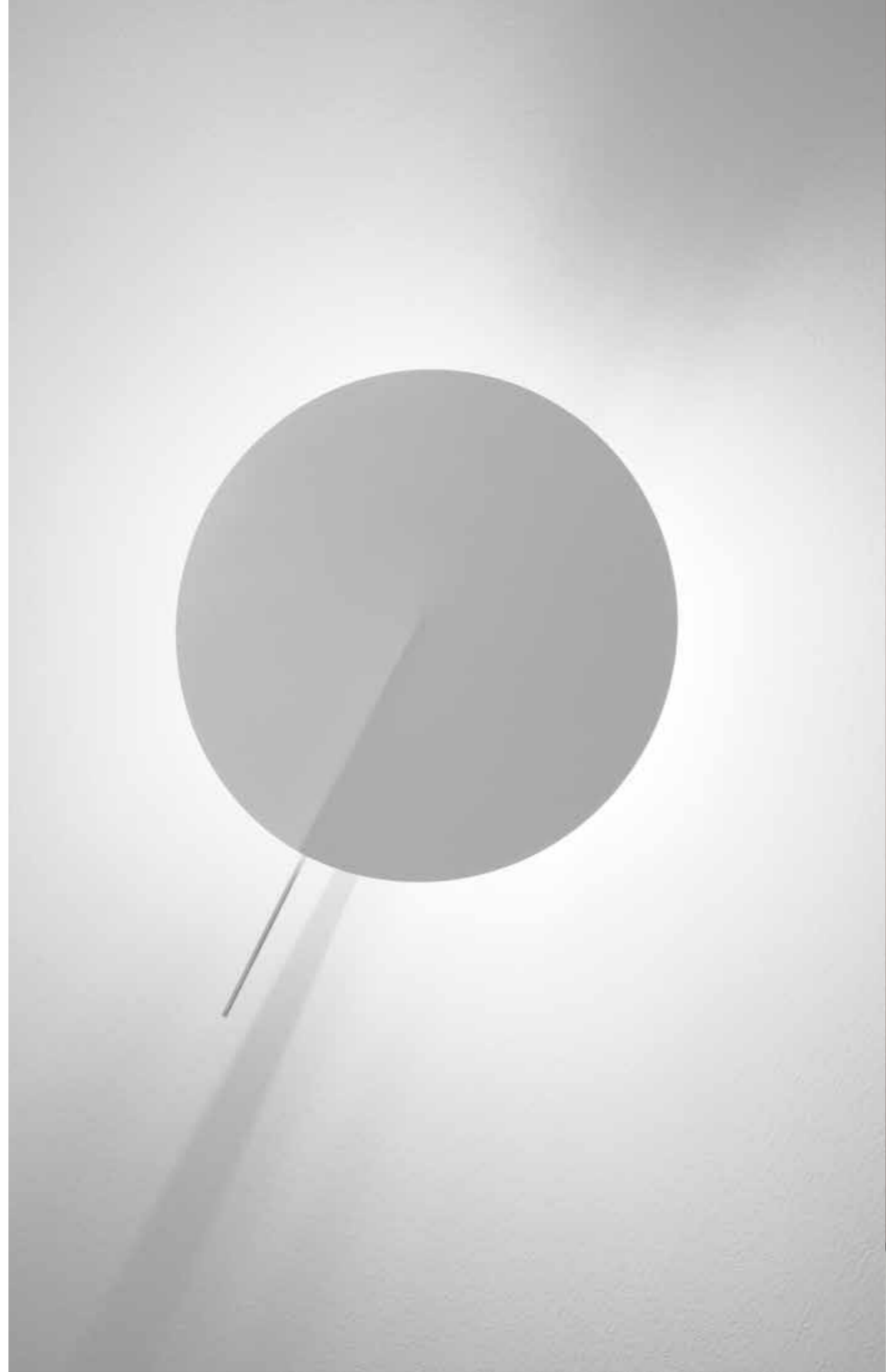
Photographs may show non-standard products.

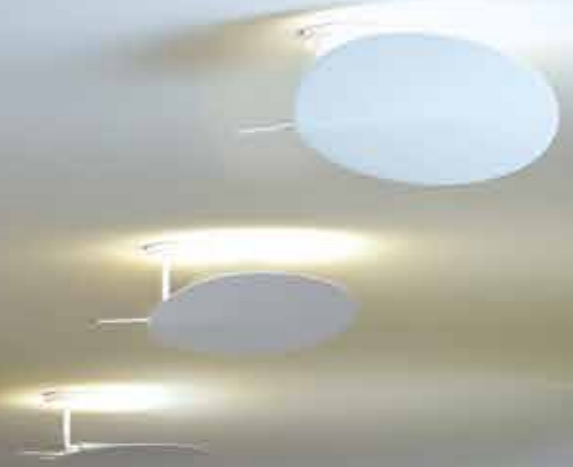


Contract option

Wall light with laser cut signage. Create your own design.
No minimum quantity required.









295 / Space Furniture SP01 by @veronica_leali 298 & 299 / Hotel Riu Plaza España by #adginteriorismo

(ENG) Obs' stylized lines are inspired by natural forms. Its pleasing indirect light is projected onto surfaces, giving a warm ambience to the room. (ESP) Luminaria de líneas estilizadas inspirada en las formas esenciales de la naturaleza. Emite una agradable iluminación indirecta que proporciona una luz cálida a la estancia.

Wall light

298

Obs



Obs

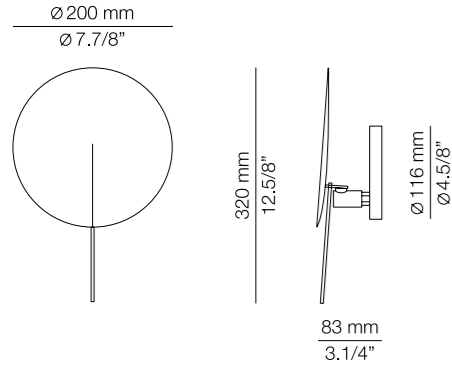
299

Wall light

OBS

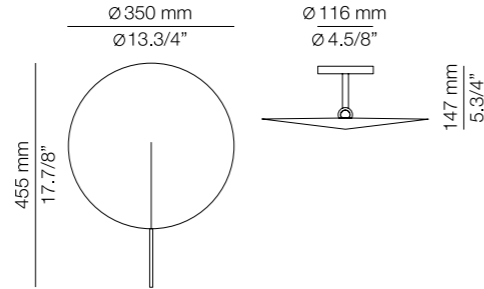
A-3220L

LED 15W **A**
 (2700K / Ang.120° / >90CRI)
 230V / Typ* 1092 lumens
 Dimmable Triac



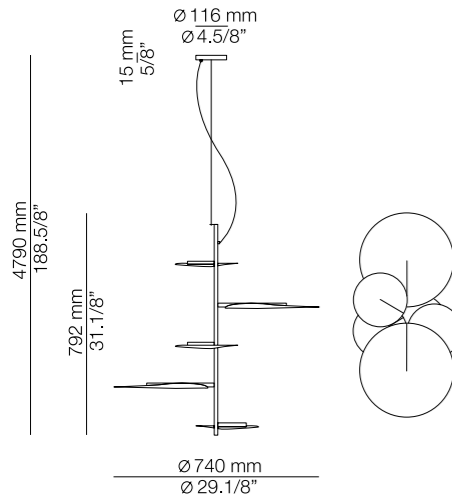
t-3222L

LED 20W **A***
 (2700K / Ang.120° / >80CRI)
 230V / Typ* 1700 lumens
 Dimmable Triac



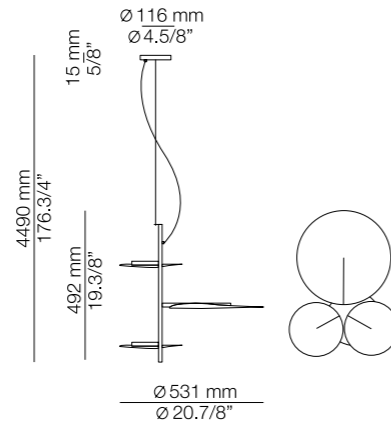
T-3225

LED 5x10W **A***
 (2700K / Ang.120° / >90CRI)
 230V / Typ* 5x730 lumens
 Dimmable Triac



T-3226

LED 3x10W **A***
 (2700K / Ang.120° / >90CRI)
 230V / Typ* 3x730 lumens
 Dimmable Triac



Finishes

- 61 S GLD
- 76 WH
- 44 CP (A-3220L)

Additional

We offer custom finishes, sizes,
 and alternate lamping for projects.
Photographs may show non-standard products.



Hotel Riu Plaza España by #adginteriorismo



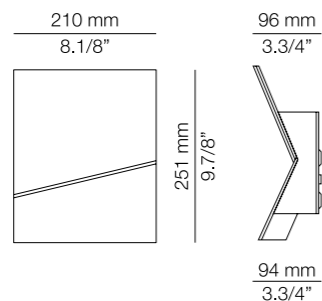


(ENG) Elegantly understated, a rectangle with an asymmetric fold creates a visually rich shape. Architectural minimalism takes on a different look from every angle while subtly casting light above and below. (ESP) Un rectángulo sobrio y elegante dotado de un pliegue asimétrico crea una forma visualmente rica. Su minimalismo arquitectónico adquiere una perspectiva diferente desde todos los ángulos mientras la luz se escapa sutilmente por arriba y por abajo.

PIU

A-3320L

LED 15W **A**
 (2700K / Ang.120° / >90CRI)
 230V / Typ* 1092 lumens
 Dimmable Triac



Finish

○ 74 WH

Additional

We offer custom finishes, sizes, and alternate lamping for projects. Contract option minimum quantity required.

Photographs may show non-standard products.



Outdoor version



Laser cut signage



Signage with vinyl



Rounded edges







(ENG) A generous expanse of diffused light is framed in metal and comprises a family of pendants, sconces, ceiling and floor lamps for every interior. Acrylic diffuser. (ESP) Un despliegue generoso de luz difusa se enmarca en metal y forma una familia de suspensiones, apliques, plafones y lámparas de pie para interior. Difusor de metacrilato.

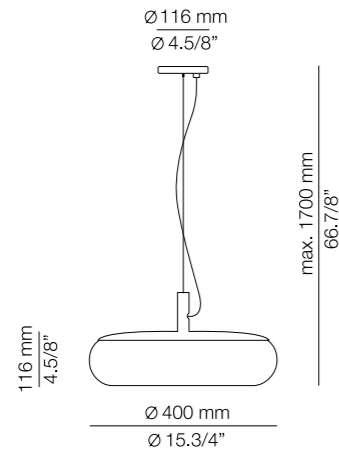
EMMA

T-3405L

LED 20W **A**
(2700K / Ang.120° / >80CRI)
230V / Typ* 1700 lumens
Dimmable Triac

Finishes

- 22 CH
- 71 WH
- 92 MNK

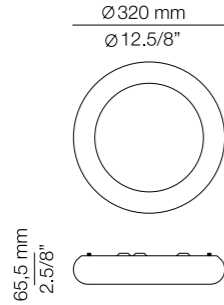


A-3400L / t-3400L

LED 15W **A**
(2700K / Ang.120° / >90CRI)
230V / Typ* 1092 lumens
Dimmable Triac

Finish

- 71 WH

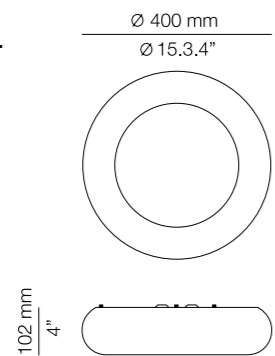


A-3401L / t-3401L

LED 20W **A**
(2700K / Ang.120° / >80CRI)
230V / Typ* 1700 lumens
Dimmable Triac

Finish

- 71 WH

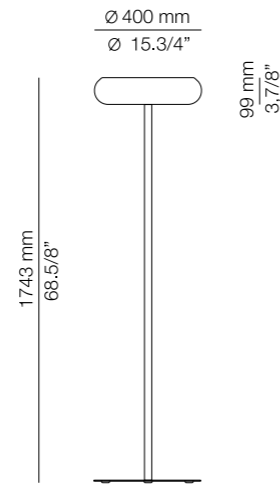


P-3409L

LED 34W **A***
(2700K / Ang.120° / >80CRI)
230V / Typ* 3305 lumens
Dimmable

Finishes

- 71 WH
- 92 MNK



Additional

We offer custom finishes, sizes,
and alternate lamping for projects.

Photographs may show non-standard products.



Habitat Valencia by @sancal @lagaleriaestudio



Ximo Roca Diseño

312

LUCK





313 / Space Furniture SP01 by @veronica_jeali 314 / Hotel Atenea Mar by @carlesgrauches.interiors

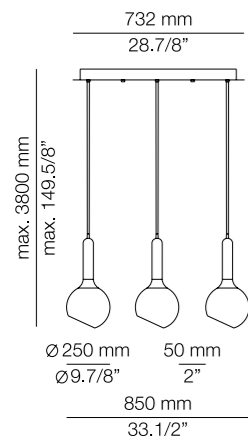


(ENG) A bell-shaped metal structure that holds a transparent crystal globe with a crosscut in the base, similar to an upside down fish bowl. (ESP) Pantalla metálica en forma de campanilla que culmina con un original globo de cristal transparente con un corte en diagonal, similar al de una pecera invertida.

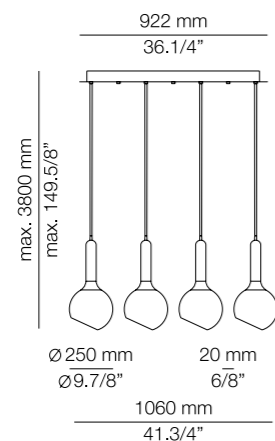
LINEAR CANOPY



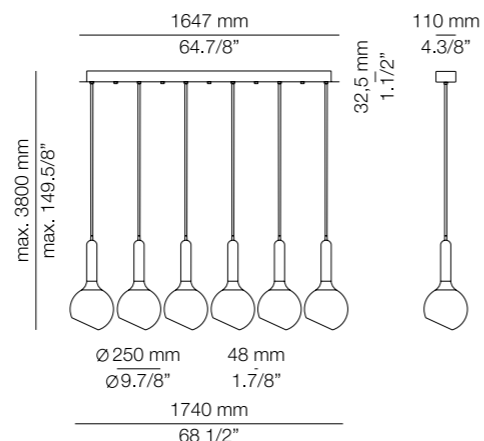
LUCK L73.3



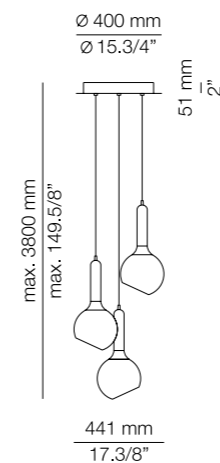
LUCK L92.4



LUCK L165.6



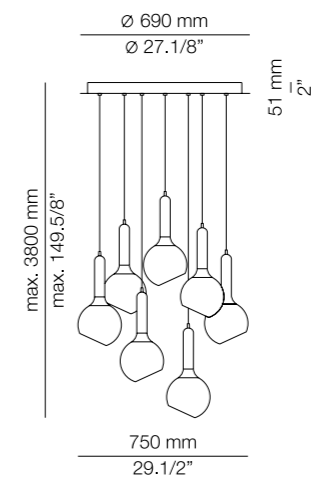
LUCK R40.3



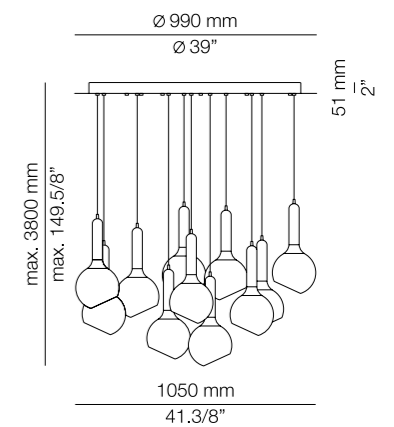
ROUND CANOPY



LUCK R70.7



LUCK R100.11



LUCK

T-2443

LED or C.Fluor up to 20W **A+ > A**
Globe ø95mm / E27 / 120V - 240V
Dimmable when using dim. lamps

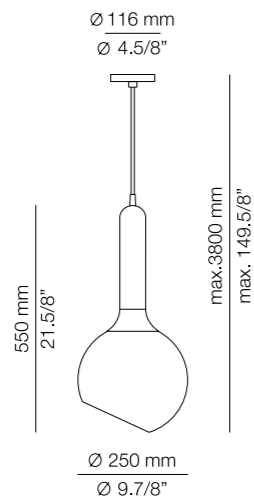
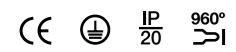
Finishes

- 27 WH
- 37 NI
- 44 CP

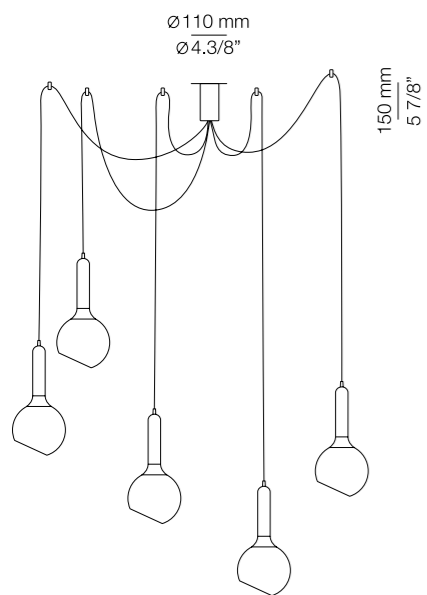
Additional

We offer custom finishes, sizes,
and alternate lamping for projects.

Photographs may show non-standard products.



LUCK M5



Hotel Corales Resort by Clickon studio







321 / Office by @dydinteriorismo 323 / Residence by @harrison_varma_joinery



(ENG) Three bands of polished aluminium describe orbital paths around the satin glass shade of this elegant luminaire. (ESP) Tres anillos de aluminio entrelazados orbitan alrededor de una esfera de cristal satinado formando esta elegante lámpara.

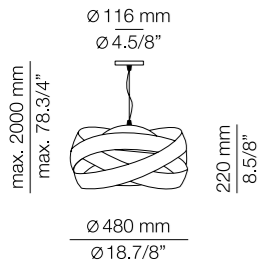
SISO

T-2995

LED or Fluor. up to 3x20W **A+ > A**
E27 / 120V - 240V
Dimmable when using dim. lamps

Finishes

- 44 CP
- 22 CH
- 71 WH

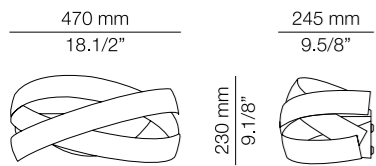


A-2990

LED or Fluor. up to 20W **A+ > A**
E27 / 120V - 240V
Dimmable when using dim. lamps

Finish

- 22 CH



Additional

We offer custom finishes, sizes, and alternate lamping for projects.
Photographs may show non-standard products.

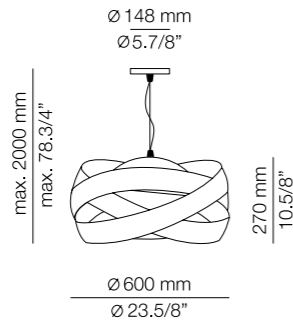


T-2996

LED or Fluor. up to 3x20W **A+ > A**
E27 / 120V - 240V
Dimmable when using dim. lamps

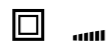
Finishes

- 44 CP
- 22 CH
- 71 WH



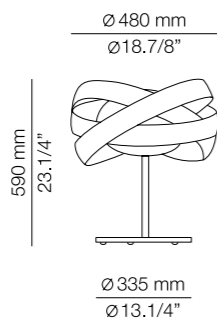
M-2997

LED or Fluor. up to 2x20W **A+ > A**
E27 / 230V
Dimmable when using dim. lamps

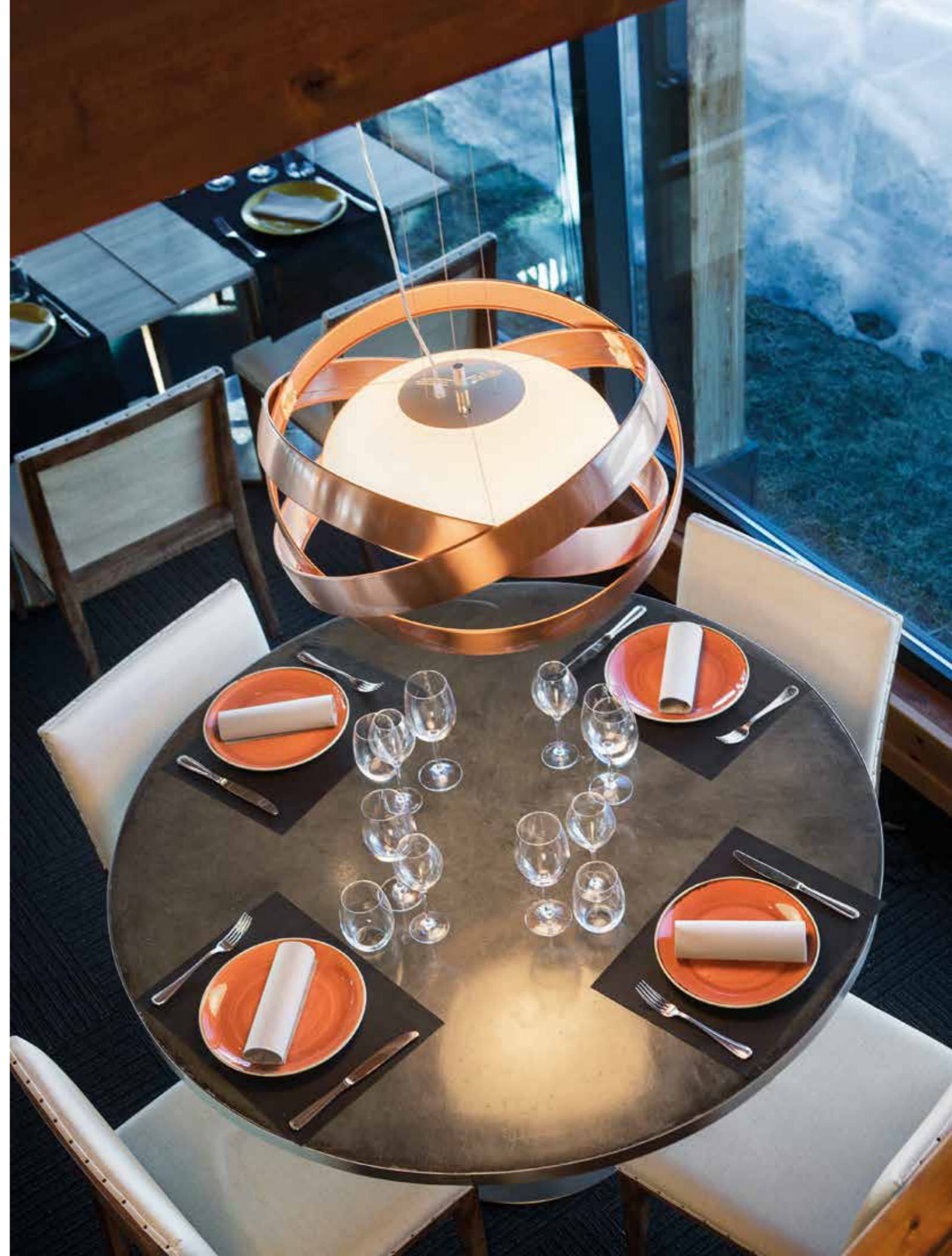


Finishes

- 22 CH
- 71 WH



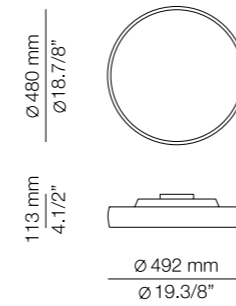
Grandvalira by @rosacoleto_design





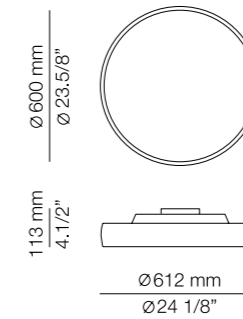
t-3212L

LED 34W **A+**
 (2700K / Ang.120° / >80CRI)
 120V - 277V / Typ* 3305 lumens
 Dimmable Triac



t-3213L

LED 34W **A+**
 (2700K / Ang.120° / >80CRI)
 120V - 277V / Typ* 3305 lumens
 Dimmable Triac



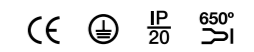
Finishes

- 44 CP
- 22 CH
- 71 WH

Additional

We offer custom finishes, sizes,
 and alternate lamping for projects.

Photographs may show non-standard products.





IRIS

T-2714

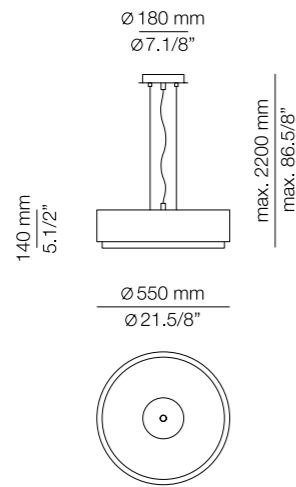
LED or Fluor. up to 3x20W **A+>A**
E27 / 120V - 240V
Dimmable when using dim. lamps

Finish body

● 37 NI

Finish shade

● 26 BLK
○ 27 WH
● 38 GR



T-2711

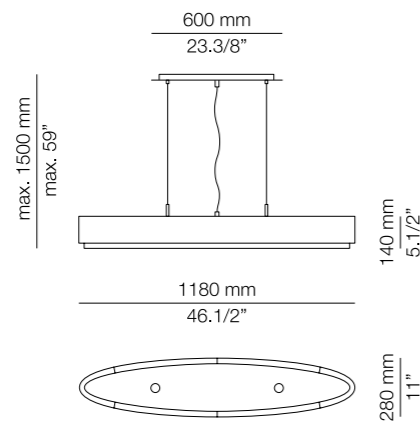
LED or Fluor. up to 6x11W **A+>A**
Candle / E14 / 120V - 240V
Dimmable when using dim. lamps

Finish body

● 37 NI

Finish shade

● 26 BLK
○ 27 WH
● 38 GR



Additional

We offer custom finishes, sizes,
and alternate lamping for projects.

Photographs may show non-standard products.

CE IP 20 850°



^(ENG) Textures complement each other in a comprehensive family of lamps. A satin-finished glass diffuser glows with light above and below, enclosed within a woven polyester shade and polished metal ring. ^(ESP) Diferentes texturas que se complementan en una amplia familia de lámparas. Los difusores de cristal satinado superior e inferior se iluminan intensamente dentro de una pantalla de tejido de poliéster decorada con un anillo metálico.



IRIS

P-2719

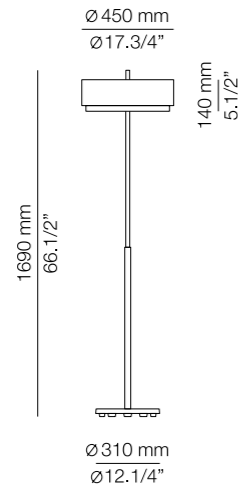
LED or Fluor. up to 3x20W **A+>A**
E27 / 230V
Dimmable when using dim. lamps

Finish body

- 37 NI
- 22 CH

Finish shade

- 26 BLK
- 27 WH
- 38 GR



t-2712

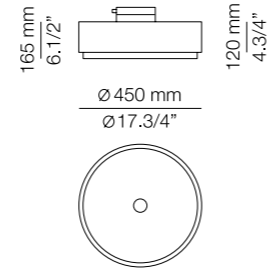
LED or Fluor. up to 3x20W **A+>A**
E27 / 120V - 240V
Dimmable when using dim. lamps

Finish body

- 37 NI

Finish shade

- 26 BLK
- 27 WH
- 38 GR



M-2717

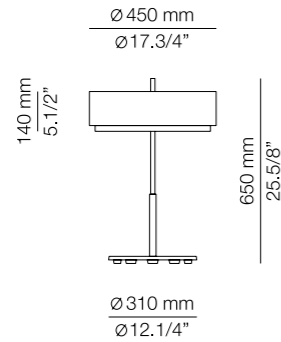
LED or Fluor. up to 3x20W **A+>A**
E27 / 230V
Dimmable when using dim. lamps

Finish body

- 37 NI
- 22 CH

Finish shade

- 26 BLK
- 27 WH
- 38 GR



t-2713

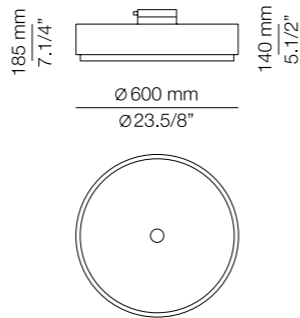
LED or Fluor. up to 3x20W **A+>A**
E27 / 120V - 240V
Dimmable when using dim. lamps

Finish body

- 37 NI

Finish shade

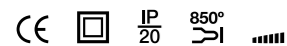
- 26 BLK
- 27 WH
- 38 GR



Additional

We offer custom finishes, sizes, and alternate lamping for projects.

Photographs may show non-standard products.



Additional

We offer custom finishes, sizes, and alternate lamping for projects.

Photographs may show non-standard products.





Grandvalira by @rosacolet_design

Floor lamp

336

Iris

Iris

337

Floor lamp

IRIS

A-2710L

LED 15W **A**
(2700K / Ang. 120° / >90 CRI)
230V / Typ* 1092 lumens
Dimmable Triac

Finish body

● 37 NI

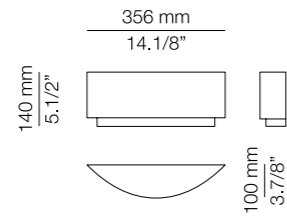
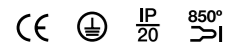
Finish shade

- 26 BLK
- 27 WH
- 38 GR

Additional

We offer custom finishes, sizes,
and alternate lamping for projects.

Photographs may show non-standard products.



P-2718

LED or Fluor. up to 3x20W **A+ > A**
E27 / 230V
Dimmable when using dim. lamps

Finish body

- 37 NI
- 22 CH

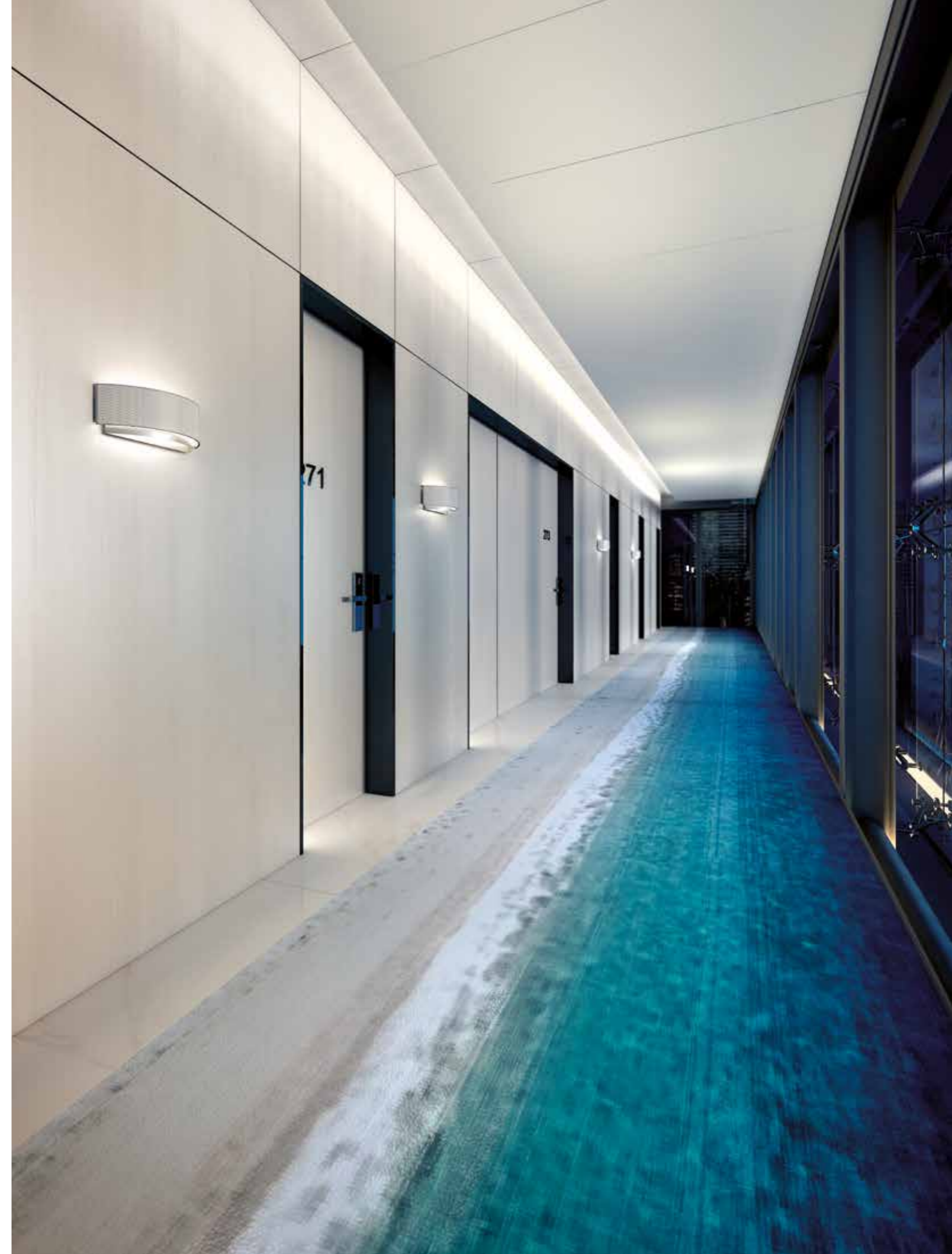
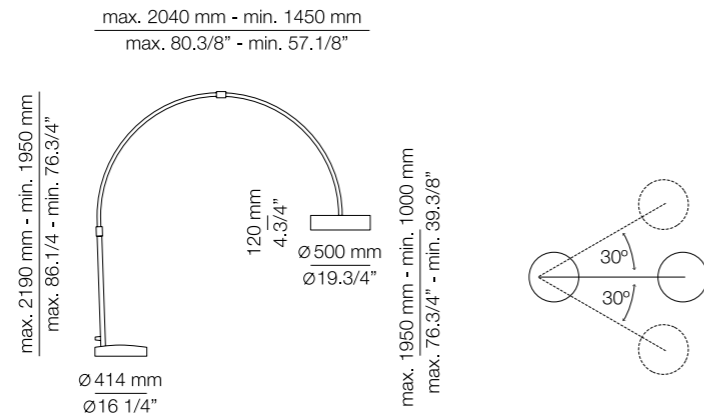
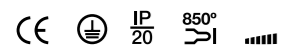
Finish shade

- 26 BLK
- 27 WH
- 38 GR

Additional

We offer custom finishes, sizes,
and alternate lamping for projects.

Photographs may show non-standard products.



SMILE

340

Joan Cinca / laproduqtora



(ENG) A stroke of light that can be mounted horizontally or vertically to provide subtle yet bright illumination. Metal front plate can be solid or with additional cut-out for brighter direct light; with acrylic diffuser. (ESP) Un trazo de luz horizontal o vertical con iluminación sutil pero intensa. Pantalla frontal íntegramente metálica o con recorte para mayor iluminación directa y difusor de metacrilato translúcido.

Smile

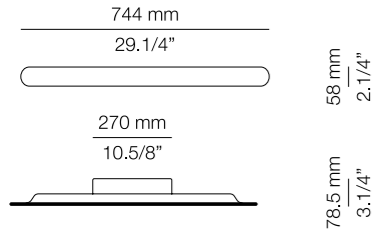
341

Wall light

SMILE

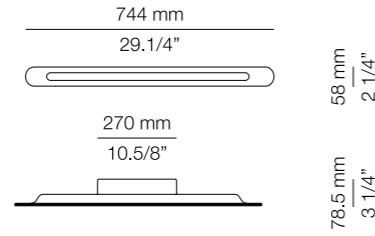
A-3350

El. Fluorescent 24W **A**
T5 / 220V - 240V / Non dimmable



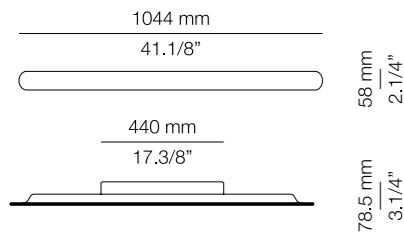
A-3350A

El. Fluorescent 24W **A**
T5 / 220V - 240V / Non dimmable



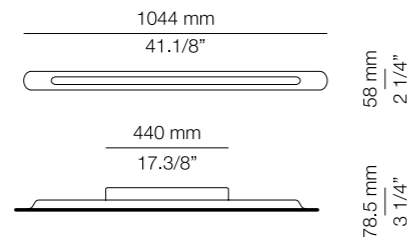
A-3351

El. Fluorescent 39W **A**
T5 / 100V - 277V / Non dimmable



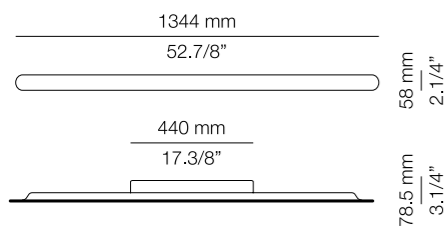
A-3351A

El. Fluorescent 39W **A**
T5 / 100V - 277V / Non dimmable



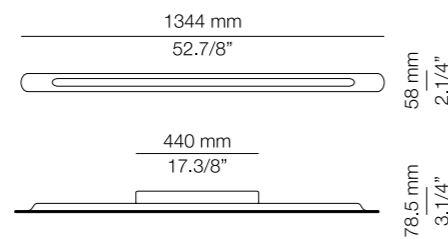
A-3352

El. Fluorescent 54W **A**
T5 / 100V - 277V / Non dimmable



A-3352A

El. Fluorescent 54W **A**
T5 / 100V - 277V / Non dimmable



Finishes

- 22 CH
- 74 WH

Additional

We offer custom finishes, sizes, and alternate lamping for projects. Contract option minimum quantity required.

Photographs may show non-standard products.



Contract Option

Laser cut signage.



Residence by @dydinteriorismo





ROUND CANOPY

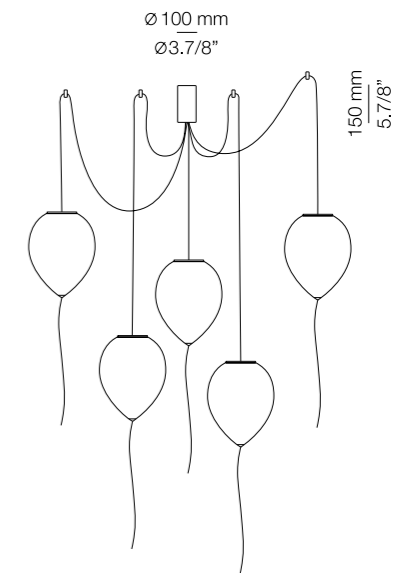
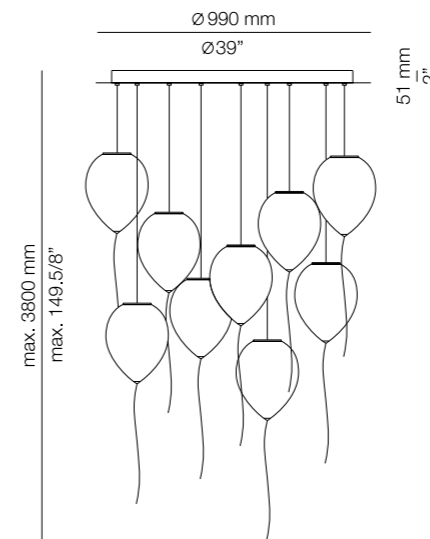
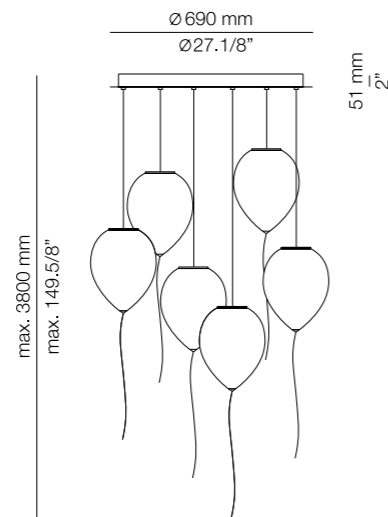
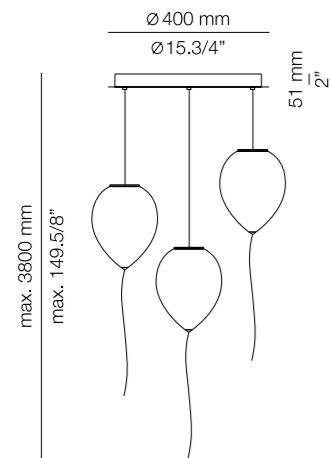


BALLOON R40.3

BALLOON R70.6

BALLOON R100.9

BALLOON M5



(ENG) A childhood memory is happily recalled in this charming lamp. Appearing to float effortlessly on wall or from the ceiling, the shade of translucent, satinated polyethylene provides a uniform glowing light. (ESP) Esta encantadora lámpara parece flotar sin esfuerzo en el techo o la pared, evocando recuerdos de una infancia feliz. Su pantalla de polietileno satinado translúcido proporciona una luz intensa y uniforme.

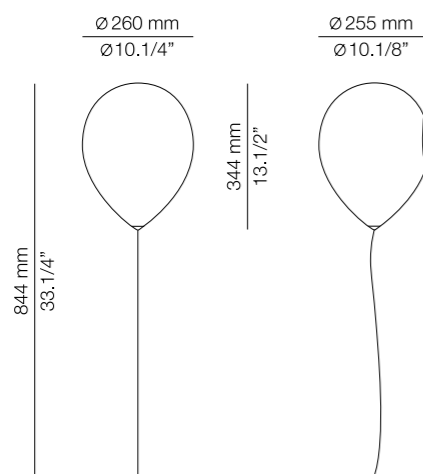
BALLOON

A-3050

LED or Fluor. up to 20W **A+>A**
E27 / 120V - 240V
On/Off Switch

Finish

○ 74 WH



A-3050L

LED or Fluor. up to 20W **A+>A**
E27 / 230V

+

LED 0,5W / E14
230V / nightlight

3-way switch

Finish

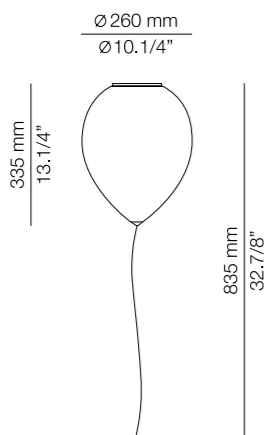
○ 74 WH

t-3052

LED or Fluor. up to 20W **A+>A**
E27 / 120 - 240V
Dimmable when using dim. lamps

Finish

○ 74 WH

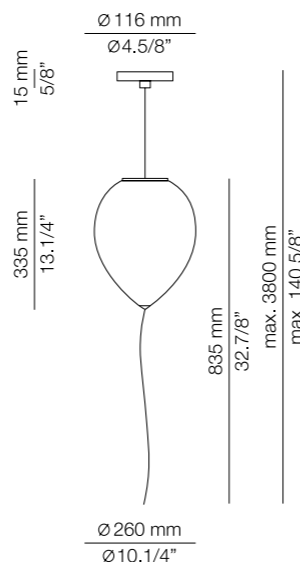


T-3055

LED or Fluor. up to 20W **A+>A**
E27 / 120V - 240V
Dimmable when using dim. lamps

Finish

○ 74 WH



Additional

We offer custom finishes, sizes, and alternate lamping for projects.

Photographs may show non-standard products.



Additional

We offer custom finishes, sizes, and alternate lamping for projects.

Photographs may show non-standard products.



Residence by @hadalopezdesign



DOT

350

Serra&delarocha



Private residence by @dom_arquitectura



(ENG) A single element “formed exclusively by light, a body without matter.” The shade of white matt satinated polyethylene takes on many different variations in this family of light. (ESP) Un solo elemento “formado exclusivamente por luz, un cuerpo sin materia”. La pantalla de polietileno satinado blanco se presenta en diferentes variantes en esta familia de lámparas.

Dot

351

Floor & Table lamp

DOT

M-2907X

LED or Fluor. up to 2x30W **A+>A**
E27 / 230V

Finish body

○ 79 WH

Finish table top

● 64 BLK L

CE IP 54 850°

P-2909X

LED or Fluor. up to 2x20W **A+>A**
E27 / 230V

Finish body

○ 79 WH

CE IP 54 850°

Additional

We offer custom finishes, sizes, and alternate lamping for projects.
Photographs may show non-standard products.

M-2907BT

LED 2.5W **A+**
(3000K / Ang.120°
>80CRI / 2x2500mAh) 230V
Typ* 290 lumens

Li ion battery / Induction charging base / Three position dimming / Remote control
Battery charging time 8-10h
Battery life over 6h maximum brightness

Finish body

○ 79 WH

Finish table top

● 64 BLK L

CE IP 67 850°

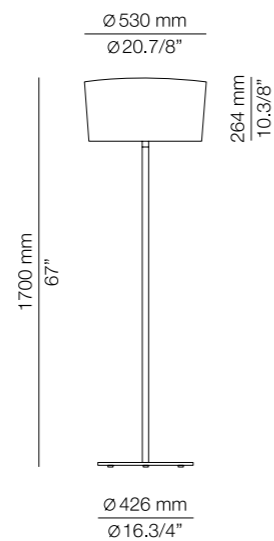
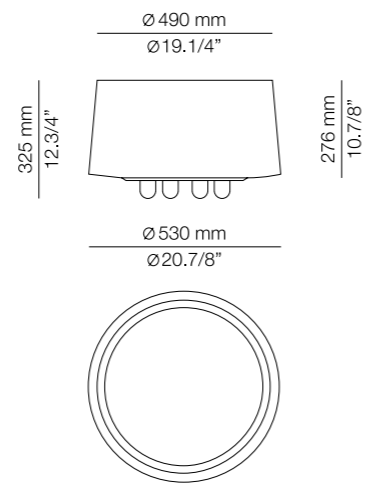
P-2909

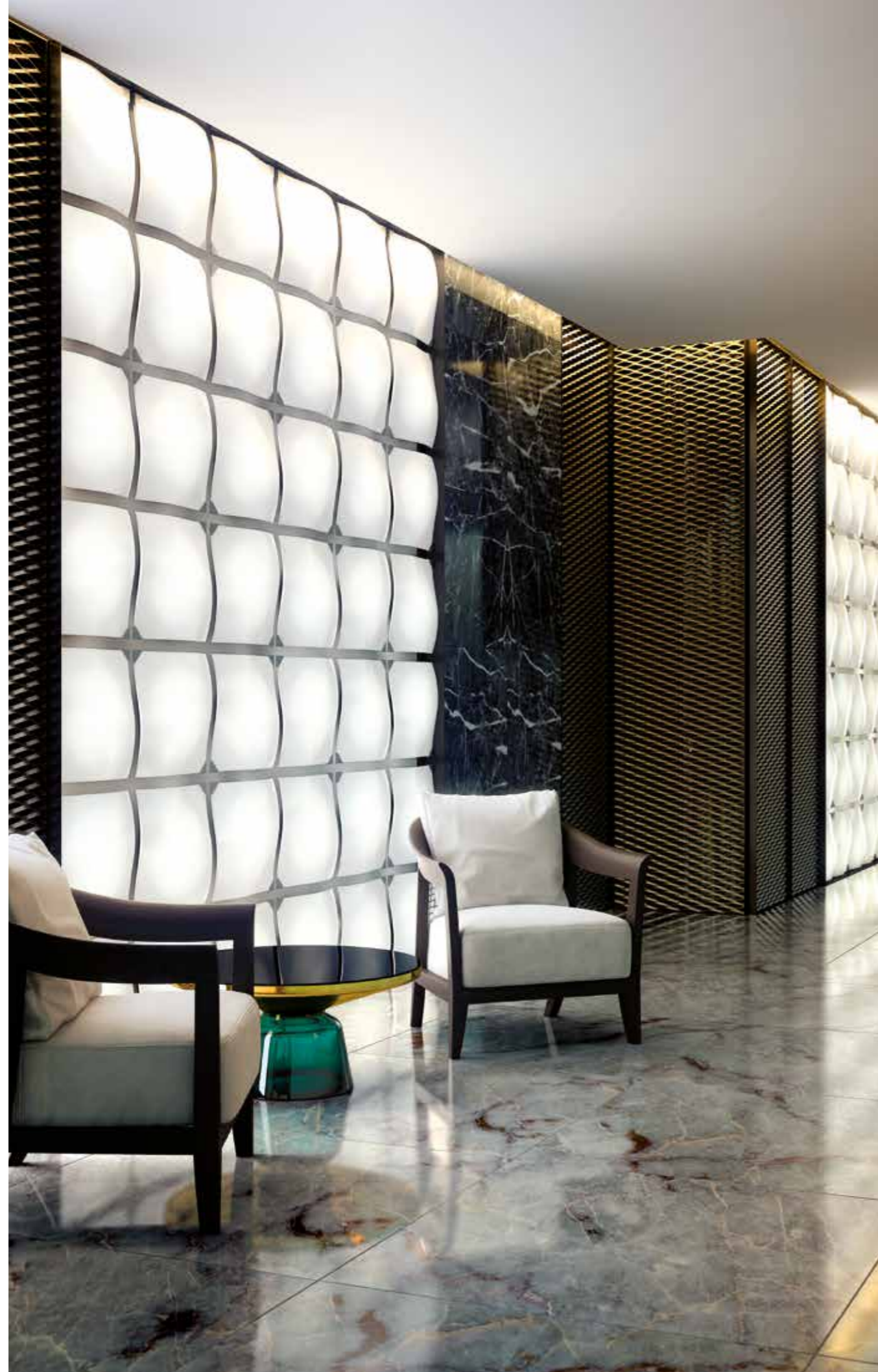
LED or Fluor. up to 2x30W **A+>A**
E27 / 230V
On/Off switch

Finish body

○ 79 WH

CE IP 20 850°





t-2752L / A-2752L

LED 20W **A**
 (2700K / Ang.120° / >80 CRI)
 230V / Typ* 1700 lumens
 Dimmable Triac

Finishes

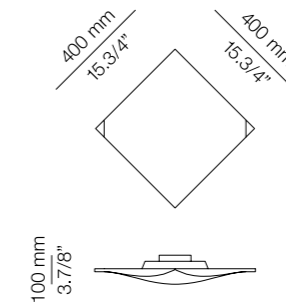
- 37 NI
- 22 CH

Additional

We offer custom finishes, sizes,
 and alternate lamping for projects.

Photographs may show non-standard products.

CE   



(ENG) Acrylic diffuser shaped like a billowed sail and fitted with a metal backplate transforms a space. Used in multiples, Bent creates an undulating wall of soft light. Combining a smaller number creates a flower of glowing petals.

(ESP) Pantalla de metacrilato en forma de vela ondulada acompañada por una sujeción metálica de idéntica forma. La combinación de múltiples unidades crea una pared iluminada con ondulaciones. Con sólo unas pocas, crea una espectacular flor de pétalos brillantes.



(ENG) The luminaire looks like an enormous metal bracelet that widens as it approaches the wall. The diffuser glass at the top and bottom create a diaphanous, pleasant light projected vertically on the wall. (ESP) Este aplique representa una enorme pulsera que se ensancha al aproximarse a la pared. El cristal difusor en la parte superior e inferior crea una luz diáfana y agradable proyectada verticalmente en la pared.

A-2520

LED or Fluor. up to 20W **A+>A**
 max. 112mm / E27 / 120V - 240V
 Dimmable when using dim. lamps

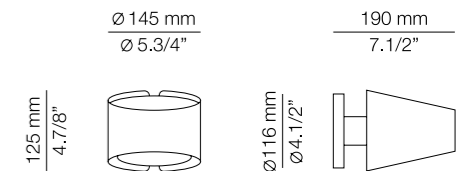
Finish

● 37 NI

Additional

We offer custom finishes, sizes, and alternate lamping for projects.
 Photographs may show non-standard products.

CE IP20





P-3259

Hal. up to 200W **C>D**
 118mm / R7s base / 230V
 Dimmable

+

Compatible with Dimmable
 LED bulb **A***
 118mm /R7s base / 230V

LED or Hal. up to 2x50W
A>A*>A>B>C**
 PAR16 / GU-10 base / 230V
 On/Off Switch

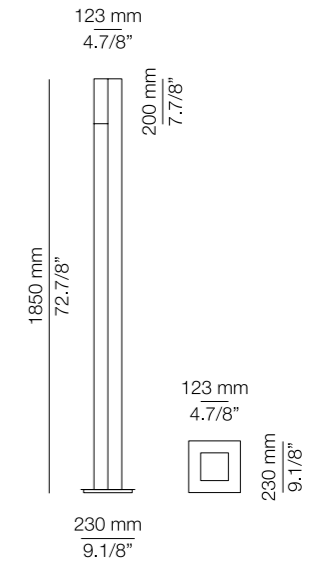
Finishes

- 26 BLK
- 74 WH

Additional

We offer custom finishes, sizes,
 and alternate lamping for projects.

Photographs may show non-standard products.



^(ENG) The sleek metal structure provides a dual lighting effect, offering both direct and background illumination at the same time. ^(ESP) La esbelta estructura metálica produce un doble efecto lumínico, creando un ambiente único con iluminación directa e indirecta.





A-3260L / A-3260R

LED 6W **A++**
 (3000K / Ang.120° / >80CRI)
 230V / Typ* 570 lumens
 On/Off Switch

Finishes

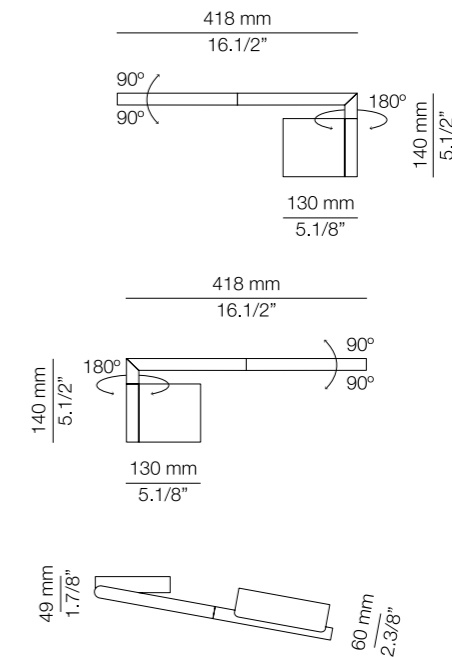
- 22 CH
- 74 WH

Additional

We offer custom finishes, sizes,
 and alternate lamping for projects.

Photographs may show non-standard products.

CE



(ENG) Simple straight lines shows architectural purity in this reading light. The swing-arm and adjustable head are both practical and elegant details.
 (ESP) Diseños simples y rectilíneos dibujan una arquitectura de formas puras en esta lámpara de lectura. La pantalla basculante y regulable es un detalle práctico y elegante.



M-3245

LED 8W **A+**
 (2700K / Ang.120° / >90 CRI)
 230V / Typ* 554 lumens
 On/Off Switch

Finishes

- 56 BLK
- 74 WH

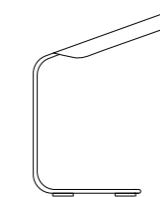
Additional

We offer custom finishes, sizes,
 and alternate lamping for projects.

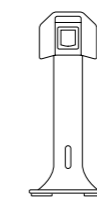
Photographs may show non-standard products.

CE □ IP 20 650°

247 mm
9.3/4"



184 mm
7.1/4"



320 mm
12.5/8"

133 mm
5.1/4"

(ENG) Folio is an aluminium minimalist lamp with clean lines. Lateral folds, which serve as a shade while hiding the LED source, protect users from glare and offer precise lighting. (ESP) Folio es una lámpara de aluminio de líneas limpias y estilo minimalista. Sus formas puristas y pliegues laterales han sido cuidadosamente estudiados para ocultar el led e impedir que deslumbre, ofreciendo una iluminación precisa.



PLUMA

T-2955

LED or Fluor. up to 20W **A+ > A**
E27 / 120V - 240V
Dimmable when using dim. lamps

Finish body

- 26 BLK

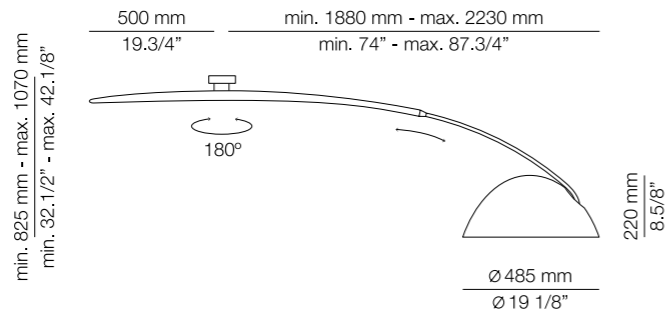
Finish shade

- 64 BLK L
- 27 WH

Additional

Optional bottom acrylic diffuser kit for black shade.
We offer custom finishes, sizes, and alternate lamping for projects.

Photographs may show non-standard products.



P-2959

LED or Fluor. up to 20W **A+ > A**
E27 / 230V
Dimmable when using dim. lamps

Finish body

- 22 CH
- 26 BLK

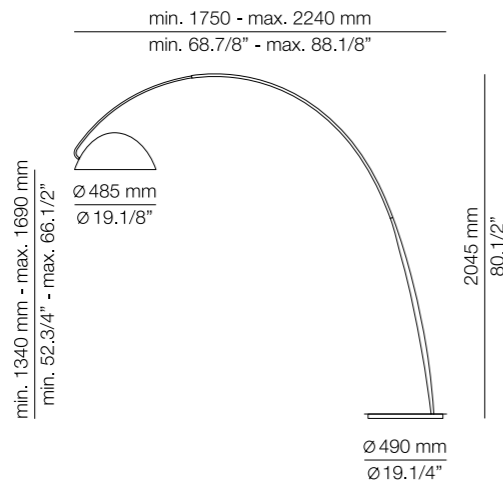
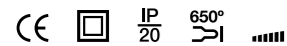
Finish shade

- 64 BLK L
- 27 WH

Additional

Optional bottom acrylic diffuser kit for black shade.
We offer custom finishes, sizes, and alternate lamping for projects.

Photographs may show non-standard products.



364 / Office by @diyinteriorismo



^(ENG) A collection that re-defines the cantilever lamp. The shade is poised at the end of a graceful extendable arch for the floor lamp. A variation on the theme for the ceiling version features an adjustable extendable rotating arm. ^(ESP) Una colección de lámparas con un brazo fino, curvado y extensible en las que la pantalla reposa elegantemente en un solo punto al final del arco, potenciando la imagen esbelta y la sensación de equilibrio. La versión de techo también ofrece rotación del brazo.



POULPE

P-2949

LED or Fluor. up to 20W **A+ > A**
E27 / 230V
Dimmable when using dim. lamps

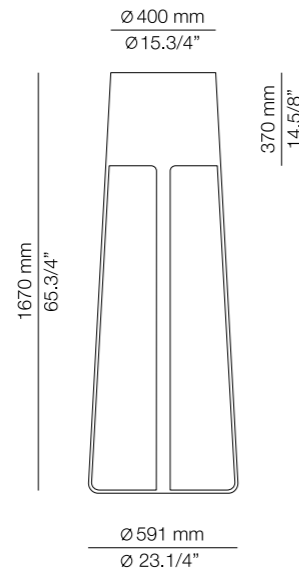
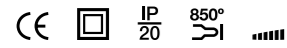
Finishes

- 26 BLK
- 74 WH L

Additional

We offer custom finishes, sizes,
and alternate lamping for projects.

Photographs may show non-standard products.



T-2945

LED or Fluor. up to 20W **A+ > A**
E27 / 120V - 240V
Dimmable when using dim. lamps

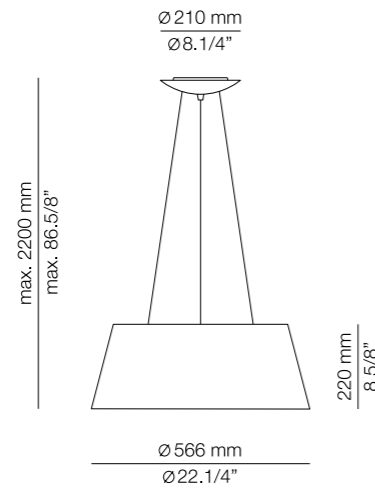
Finishes

- 26 BLK
- 74 WH L

Additional

We offer custom finishes, sizes,
and alternate lamping for projects.

Photographs may show non-standard products.



(ENG) The poulpe lamp sheds a subtle and delicate light under its large, evocative shape. Its conical polyurethane foam shade emerges gently from four legs that join it to the base. (ESP) Poulpe envuelve la luz de forma sutil y delicada dejándola escurrir a través de su voluminoso y sugestivo cuerpo. Su pantalla cónica de espuma de poliuretano emerge de forma natural de las cuatro patas que la unen con la base.





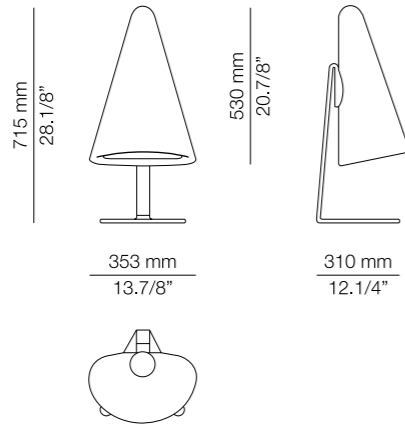
NAN

M-3044X

LED or Fluor. up to 20W **A+ > A**
E27 / 230V

Finish

○ 79 WH

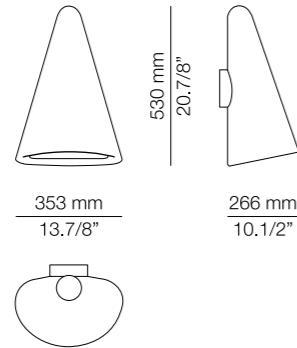


A-3040LX

LED 20W **A+ > A**
(2700K / Ang. 120° / >80 CRI)
230V / Typ 1700 lumens
Dimmable Triac

Finish

○ 79 WH



INDOOR
&
OUTDOOR

Additional

We offer custom finishes, sizes,
and alternate lamping for projects.

Photographs may show non-standard products.



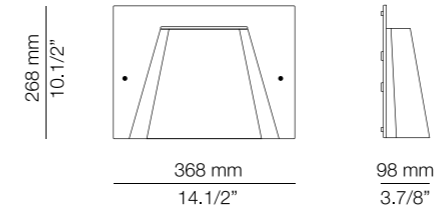
(ENG) A smooth, glowing cone of light, Nan goes outdoors too. The translucent shade is white satinated polyethylene, fixed to a slender metal base. (ESP) Un cono suave y resplandeciente de luz: la lámpara Nan de exterior. Su pantalla translúcida es de polietileno satinado blanco, fijado a una esbelta base de metal.





A-2910L

LED 15W **A**
 (2700K / Ang.120° / >90CRI)
 230V / Typ* 1092 lumens
 Dimmable Triac

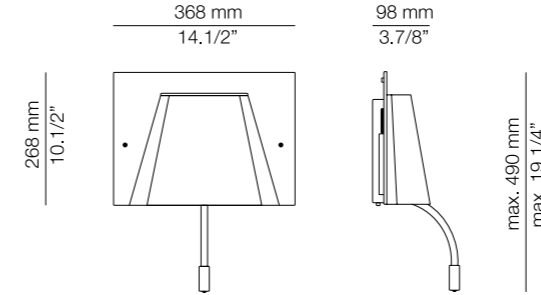


A-2911L

LED 15W **A**
 (2700K / Ang.120° / >90CRI)
 230V / Typ* 1092 lumens
 On/Off Switch

+

LED 1W **A++**
 (3000K / Ang.60° / >80CRI
 350mA) 230V / Typ* 96 lumens
 On/Off Switch



Finish

○ 74 WH

Additional

We offer custom finishes, sizes,
 and alternate lamping for projects.

Photographs may show non-standard products.



(ENG) A glowing translucent rectangle with a molded shade that softly illumines. The bedside version has an adjustable reading arm that focuses light. Made of thermoformed acrylic that is smoothly malleable and strong. (ESP) Carpet parte de la deformación de un metacrilato blanco termoconformado que se integra de manera natural en cualquier espacio mediante una suave curvatura. El aplique para cabezal de cama incluye un brazo de lectura orientable.



p-3007

LED 6,1W **A++**
 (2700K / Ang.120° / >90CRI
 350mA) 100V - 240V / Typ* 565 lumens
 Sensor Dimmer / Universal plug

Finish

● 22 CH

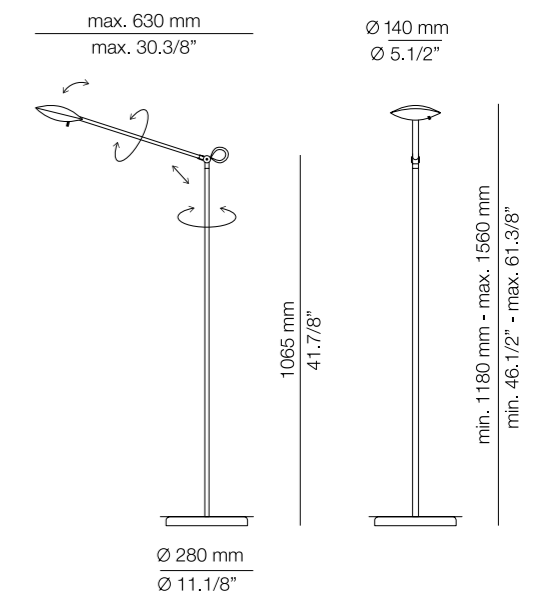
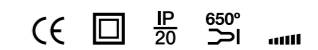
Trim cover

● 26 BLK

Additional

We offer custom finishes, sizes,
 and alternate lamping for projects.

Photographs may show non-standard products.



(ENG) A reading lamp composed of two shallow metal and acrylic shades mounted atop an articulated stem. The versatile Moon is easily adjusted for precisely-directed illumination. (ESP) Una lámpara de lectura con una fina pantalla de metal y metacrilato, situada en el extremo de un brazo articulado, que proporciona una iluminación muy precisa.



t-3133

LED or Fluor. up to 3x20W **A+ > A**
 E27 / 120V - 240V
 Dimmable when using dim. lamps

Finish

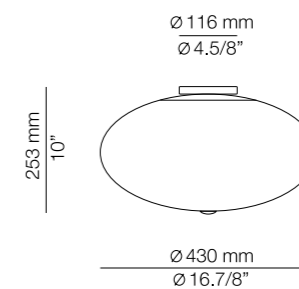
○ 74 WH

Additional

We offer custom finishes, sizes,
 and alternate lamping for projects.

Photographs may show non-standard products.

CE   



(ENG) A glowing ceiling light with satin glass shade provides a bright direct and indirect light.
 (ESP) Un plafón con pantalla de cristal satinado que proporciona una brillante y homogénea luz directa e indirecta.

Leonardo Marelli

382

ICONS





Grandvalira by @rosacoleto_design



(ENG) This collection of classic icons derives its timelessness from the organic shape of its shade. Mounted off-center top a slender stem, light emanates from below and above. On its articulated arm, light is precisely directed.

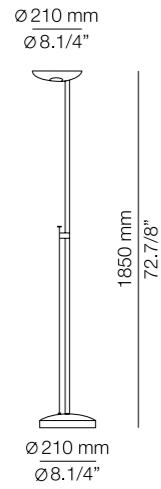
(ESP) Esta colección de iconos clásicos debe su atemporalidad a la forma orgánica de su pantalla. Descentrada en la parte superior de una delgada varilla, la luz emana verticalmente. En el brazo articulado, la luz es dirigida de forma precisa y funcional.

ICONS

P-1129

Hal. up to 200W **C>D**
118mm / R7s base
230V / Dimmable

Compatible with Dimmable
LED bulb **A+**
118mm / R7s base / 230V



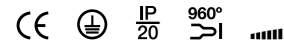
Finishes

- 61 S GLD
- 21 GLD
- 36 BR
- 22 CH
- 37 NI
- 23 BLK P
- 26 BLK
- 74 WH M

Additional

We offer custom finishes, sizes,
and alternate lamping for projects.

Photographs may show non-standard products.



P-1127

Hal. up to 200W **C>D**
118mm / R7s base
230V / Dimmable

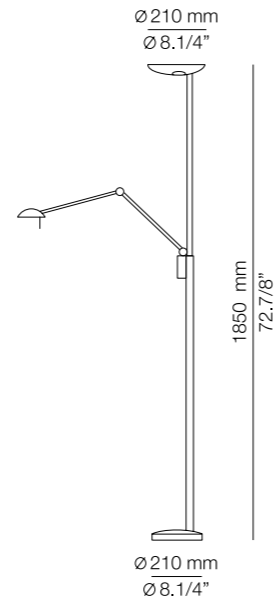
Compatible with Dimmable
LED bulb **A+**
118mm / R7s base / 230V

+

LED 6,1W **A++**
(2700K / Ang. 120°
>90 CRI / 350mA) / 230V
Typ* 565 lumens
On/Off Switch

Finishes

- 61 S GLD
- 37 NI
- 26 BLK



p-1139L

LED 6,1W **A++**
(2700K / Ang. 120°
>90 CRI / 350mA) / 230V
Typ* 565 lumens
Push button dimmer

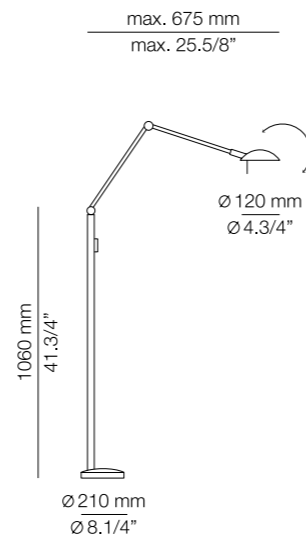
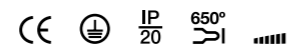
Finishes

- 61 S GLD
- 36 BR
- 37 NI

Additional

We offer custom finishes, sizes,
and alternate lamping for projects.

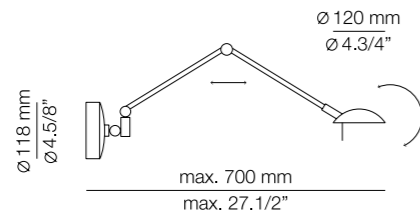
Photographs may show non-standard products.



ICONS

A-1136L

LED 6,1W **A+**
(2700K / Ang. 120°
>90 CRI / 350mA) / 120V - 240V
Typ* 565 lumens
Push button dimmer

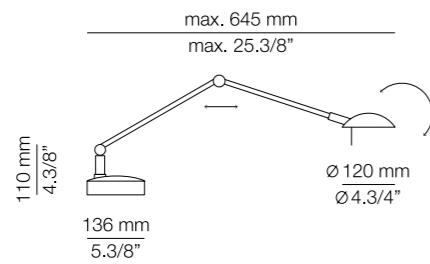


Finish

● 37 NI

M-1137L

LED 6,1W **A+**
(2700K / Ang. 120°
>90 CRI / 350mA) / 230V
Typ* 565 lumens
Push button dimmer



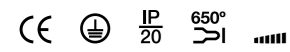
Finish

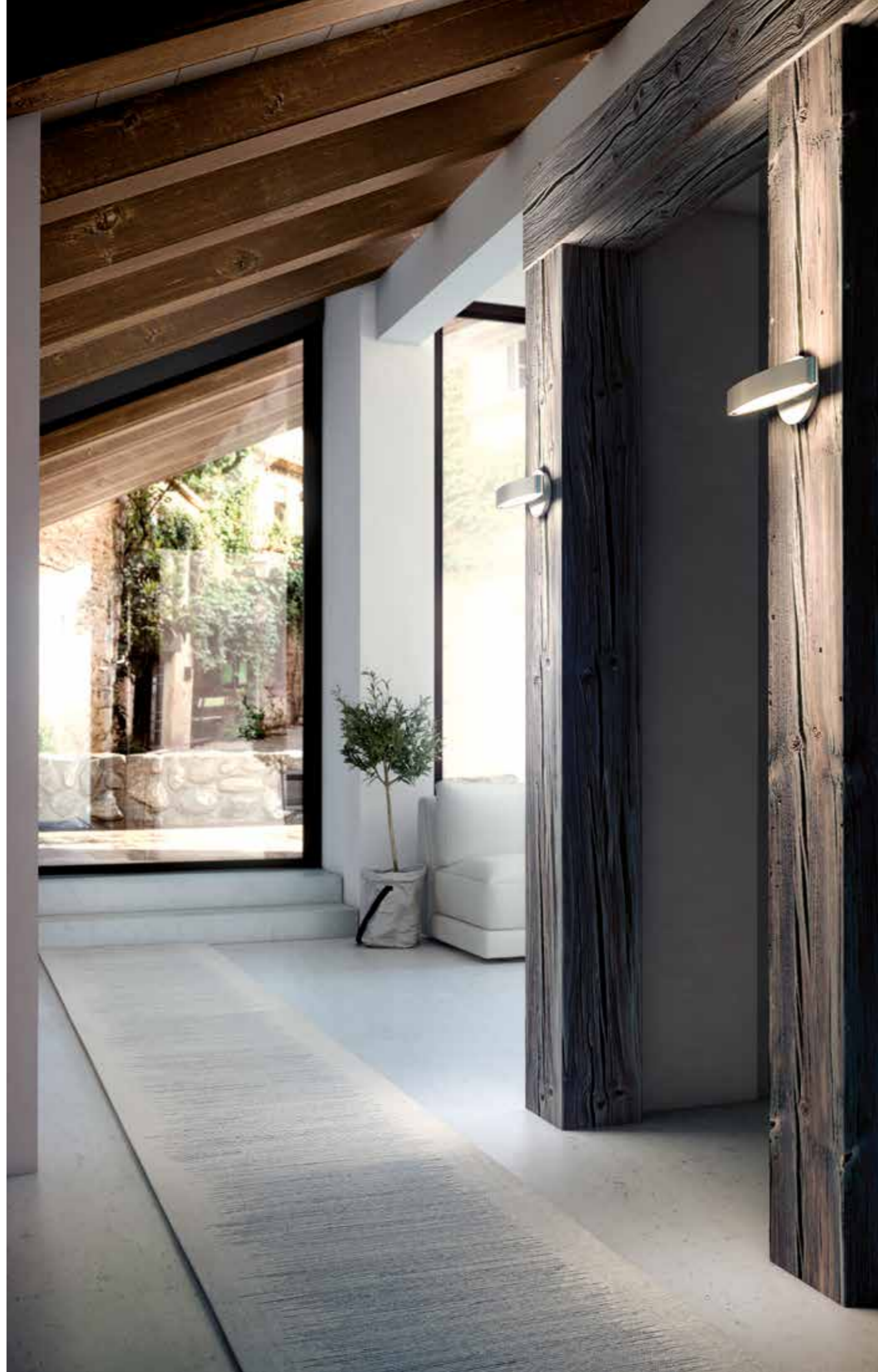
● 37 NI

Additional

We offer custom finishes, sizes,
and alternate lamping for projects.

Photographs may show non-standard products.





A-2530

Hal. up to 130W **C > D**
118mm / R7s base
230V / Dimmable

Compatible with
Dimmable LED bulb **A***
118mm / R7s base / 230V

Finish

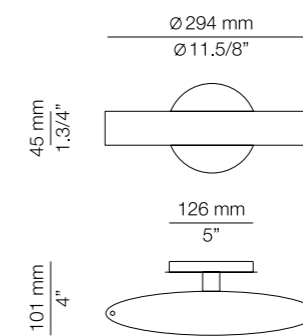
● 37 NI

Additional

We offer custom finishes, sizes,
and alternate lamping for projects.

Photographs may show non-standard products.

CE    



(ENG) The simplest forms offering up/down light. So simple, so basic that it merges with the background. (ESP) Una forma simple en la que la luz se propaga con intensidad hacia arriba y hacia abajo. Tan básico que se integra con el fondo.



A-8000L

LED 15W **A**
 (2700K / Ang.120° / >90CRI
 230V / Typ* 1092 lumens
 Dimmable Triac

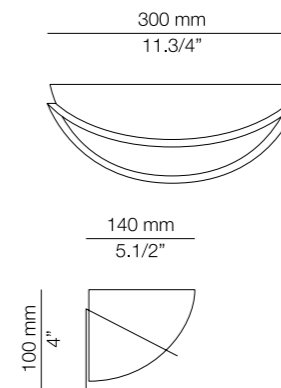
Finishes

- 37 NI
- 61 S GLD

Additional

We offer custom finishes, sizes,
 and alternate lamping for projects.

Photographs may show non-standard products.



(ENG) A glass hemisphere
 within an asymmetrical ring
 illuminates a room or a pass-
 age with classic elegance.

(ESP) Una semiesfera de cristal
 en el interior de un anillo asi-
 métrico ilumina una habita-
 ción o un pasillo con elegancia
 clásica.

TECHNICAL
FEATURES

DATOS
TÉCNICOS

SYMBOLS / SÍMBOLOS

CE (ENG) Products manufactured according to the European safety and electromagnetic standards (EN 60598-1 and EN 60598-2-1). (ESP) Productos fabricados acorde con las directrices de seguridad y emisiones electromagnéticas según la legislación europea aplicable (EN 60598-1 y EN 60598-2-1).

650°
850°
960°
YI (ENG) This product has passed successfully the test of the glow wire test at this temperature (standards NF C 20-455 and EN-60-598-1). (ESP) Productos que han superado con éxito el ensayo de hilo incandescente a la temperatura indicada (normas NF C 20-455 y EN-60-598-1).

IP 20 (ENG) Product protected against the penetration of solid bodies equal or bigger than 12 mm and against the access with a finger. No protection to the water (standard NF C 20 010). (ESP) Producto protegido contra la penetración de cuerpos sólidos de diámetro superior o igual a 12 mm. No accesible con los dedos. Sin protección al agua (norma NF C 20 010).

IP 44 (ENG) Protected against the penetration of solid bodies equal or bigger than 1mm and against water sprayed from all directions - limited ingress permitted. (ESP) Producto protegido contra la penetración de cuerpos sólidos de diámetro superior o igual a 1 mm y contra agua pulverizada.

IP 54 (ENG) Protected against dust limited ingress (no harmful deposit) and against water sprayed from all directions - limited ingress permitted. (ESP) Protegido contra la suciedad (sin sedimentos nocivos) y contra agua pulverizada.

IP 55 (ENG) Protected against dust limited ingress (no harmful deposit) and against jetting water in all directions. (ESP) Protegido contra la suciedad (sin sedimentos nocivos) y contra chorros de agua en todas las direcciones.

IP 65 (ENG) Totally protected against the entry of dust and against jetting water in all directions. (ESP) Totalmente estanco al polvo y protegido contra chorros de agua en todas las direcciones.

IP 67 (ENG) Totally protected against the entry of dust and against the effects of immersion in water between 15cm and 1m for 30 minutes. (ESP) Totalmente estanco al polvo y protegido contra la inmersión completa en agua entre 15cm y 1m durante 30 minutos.

⊕ (ENG) Basic insulation with earth wire (products class I). (ESP) Aislamiento básico con toma de tierra (productos de clase I).

□ (ENG) Reinforced or double insulation, without earth wire (products class II). (ESP) Aislamiento reforzado o doble, sin toma de tierra (productos de clase II).

⚡ (ENG) Luminaire with very low voltage power supply which doesn't require earth wire (products class III). (ESP) Aislamiento en el que no se generan tensiones superiores a la muy baja tensión, sin toma de tierra (productos de clase III).

|||| (ENG) Dimmer. (ESP) Regulador.

T_{yp}* (ENG) Typical performance (average). (ESP) Rendimiento típico (promedio).

Ang.(x)° (ENG) Beam angle. (ESP) Ángulo de apertura.

⊗ (ENG) Sound Absorption Coefficient - the fraction of randomly incident sound energy absorbed or otherwise not reflected off a surface. (ESP) Coeficiente de absorción de sonido - fracción de energía acústica absorbida o de lo contrario no reflejada en una superficie.

FINISHES / ACABADOS

● 21 GLD	24 Carat gold / Oro 24q
● 22 CH	Polished chrome / Cromo
● 23 BLK P	Black pearl / Perla negro
● 26 BLK	Black matt / Negro mate
○ 27 WH	White satin, RAL 9010 / Blanco lacado satinado, RAL 9010
● 36 BR	Bronze / Bronce
● 37 NI	Brushed Nickel / Níquel
● 44 CP	Satin Copper / Cobre satinado
● 46 M GN	Moss Green RAL 6005 / Verde Musgo RAL 6005
● 47 NI M	Nickel matt / Níquel mate
● 47 L NI M	Grey metallic / Gris metalizado
● 56 BLK	Black matt / Negro mate
● 61 S GLD	24 carat satin gold / Oro 24 q. Satinado
● 64 BLK L	Black lacquered, glossy / Negro lacado brillante
○ 71 WH	White satin, RAL 9010 / Blanco lacado satinado, RAL 9010
○ 74 WH	White satin, RAL 9010 / Blanco lacado satinado, RAL 9010
○ 74 WH L	White lacquer: glossy RAL 9003 / Blanco lacado brillante, RAL 9003
○ 76 WH	White satin, RAL 9010 / Blanco lacado satinado, RAL 9010
● 78 OX RD	Oxide Red RAL 3009 / Rojo óxido RAL 3009
○ 79 WH	White satin, RAL 9010 / Blanco lacado satinado, RAL 9010
○ 79 WH L	White lacquer: glossy, RAL 9003 / Blanco lacado brillante, RAL 9003
● 80 RT	Rust / Óxido
● 85 CN	Cinder / Ceniza
● 92 MNK	Mink / Visón
● 93 GR LM	Grey-limestone / Gris pardo

SHADES / PANTALLAS

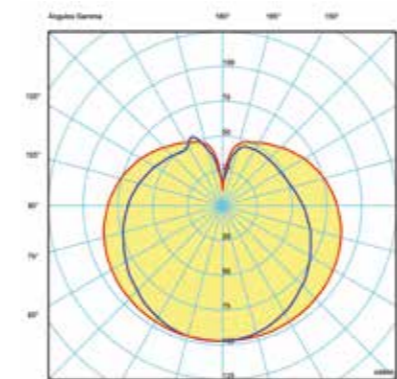
● 64 BLK L	Black acrylic, glossy / Metacrilato negro brillante
● 26 BLK	Black screen / Screen negro
○ 27 WH	White screen / Screen blanco
● 38 GR	Gray / Gris

ACCESSORIES / ACCESORIOS

● 00 PLAIN	Colourless / Incoloro
● 23 GR F	Grey fumé / Gris fumé
● 26 BLK	Black / negro
● 55 BG	Beige / Beige
● 65 BR F	Bronze fumé / Bronce fumé

● 80 FSN O	Olive ash / Fresno olivado
● 81 ZB	Zebra wood / Zebrano
● 82 BL	Blue / Azul
● 83 EGP	Eggplant / Berenjena
● 84 SLM	Salmon / Salmón

PHOTOMETRICS / CURVAS FOTOMÉTRICAS



Available at / Disponibles en
www.estiluz.com/en/downloads
www.estiluz.com/es/downloads

RESPONSIBILITY FOR THE PLANET / RESPONSABILIDAD CON EL PLANETA

(ENG) Responsibility for the planet is part of our corporate philosophy. Estiluz is aware of the impact of our daily activities and has formed a committee to create a culture that embraces all the processes of sustainability for our environment. (ESP) La responsabilidad con el planeta forma parte de nuestra filosofía corporativa. Conscientes del impacto de nuestras actividades diarias en el entorno, hemos formado un comité para crear una cultura que abarque todos los procesos de sostenibilidad.

More at / Más información
www.estiluz.com



MODIFICATIONS / MODIFICACIONES

(ENG) Estiluz reserves the right to modify or discontinue, without previous notice, products in the catalog. Please check our web for current product availability and specifications. Lumens on LED's indicate the lumen output without diffuser.

(ESP) Estiluz se reserva el derecho a modificar o anular, sin previo aviso, productos de este catálogo. Por favor visite nuestra web para conocer los productos y especificaciones actuales. Los lúmenes indicados son de salida, sin difusor.

COMMENTS / OBSERVACIONES

All ESTILUZ, S.A. products are designed and manufactured to keep customers satisfied, consequently please note the following:

1. Due to the high quality of our finishes, we recommend using a soft dry polish cloth for cleaning, avoiding the use of special cleaning products that could damage the finish.
2. Do not use lamps of a higher power than indicated.
3. All models are patent protected.
4. Conformity Certificates and technical information of our products are available upon request.

Los productos de ESTILUZ, S.A han sido diseñados y fabricados para satisfacer al máximo a nuestros clientes, debiendo por ello informarles de:

1. Dada la alta calidad de nuestros acabados, aconsejamos efectuar la limpieza exclusivamente con una gamuza seca, evitando el uso de productos especiales que podrían dañar la superficie.
2. No deberán utilizarse bombillas de potencia superior a la indicada.
3. Modelos protegidos por el Registro de la Propiedad Industrial.
4. Certificados de Conformidad e información técnica de nuestros productos disponibles bajo consulta.

NUMERICAL INDEX

Ref:	Page:	Ref:	Page:	Ref:	Page:
P-1127	386	T-3305	238	T-3636	162
P-1129	386	T-3306	238	M-3637	174
A-1136L	388	T-3307	238	A-3700	252
M-1137L	388	A-3220L	300	A-3701	252
p-1139L	386	t-3222L	300	A-3702	90
T-2443	318	T-3225	300	A-3703	90
A-2520	357	T-3226	300	A-3706	90
A-2530	391	A-3320L	304	T-3714	60
A-2710L	338	A-3330	268	T-3715	60
T-2711	330	M-3335	268	T-3716	60
t-2712	334	A-3350	342	A-3720X	50
t-2713	334	A-3351	342	A-3722X	50
T-2714	330	A-3352	342	M-3725X	40
M-2717	334	A-3370	292	M-3726X	30
P-2718	338	t-3400L	310	M-3727X	30
P-2719	334	t-3401L	310	M-3728X	40
t-2752L	355	T-3405L	310	p-3729X	40
M-2907X	352	P-3409L	310	A-3730	146
P-2909X	352	t-3410L	286	T-3734	140
A-2910L	377	t-3411L	286	T-3735	140
A-2911L	377	T-3415L	286	T-3736	140
T-2945	370	T-3416L	286	A-3740A	120
P-2949	370	A-3520	256	P-3748	104
T-2955	366	A-3530	194	P-3768	130
P-2959	366	A-3531	194	P-3769	130
A-2990	324	T-3534	200	T-3805	152
T-2995	324	T-3535	182	T-3806	152
T-2996	324	T-3536	182	T-3810	66
M-2997	324	M-3537	204	T-3811	66
p-3007	379	p-3538	204	T-3815	66
A-3040LX	374	T-3541	226	T-3816	66
M-3044X	374	T-3542	226	T-3810A	68
A-3050	348	T-3543	226	T-3811A	68
t-3052	348	M-3547	230	T-3815A	68
T-3055	348	p-3548	230	T-3816A	68
t-3133	381	T-3555	214	t-3820	80
t-3212L	327	M-3557	214	t-3820X	82
t-3213L	327	P-3568	272	t-3821	80
M-3245	363	A-3570	262	t-3821X	82
P-3259	359	A-3571	262	t-3825	76
A-3260	361	A-3630	174	M-3826X	30
T-3302	244	T-3635	162	A-8000L	393

ALPHABETIC INDEX

A		F	
Alfi	92	Flow	132
Aro	216	Folio	362
Asana	122		
B		I	
Balloon	344	Icons	382
Bent	354	Iris	328
Button	232		
C		K	
Carpet	376	Kant	360
Canut	258		
Circ	20	L	
Cornet	264	Laverd	148
		Leo	270
D		Luck	312
Dot	350	Lune	288
Duo	358		
		M	
E		Maine	274
Eclipsi	246	Mikonos	356
Emma	306	Moon	378
Essentials	392		
		N	
		Nan	372
		Nèbula	380
		Nit	254
		O	
		Obs	294
		P	
		Pila	206
		Piu	302
		Pluma	364
		Poulpe	368
		R	
		Revolta	154
		S	
		Siso	320
		Siss	326
		Smile	340
		V	
		Volta	176
		Venezia	390

ESTILUZ (Headquarters) / Carretera d'Ogassa s/n
E-17860 St Joan de les Abadesses (Girona) Spain
T + 34 972 720 125 / F + 34 972 720 796 / estiluz@estiluz.com

ESTILUZ Inc. USA & CANADA / 330 West 38th St. Suite 710
New York, NY 10018 USA / T +1 (646) 454 - 1285
F + 1 (646) 454 - 1799 / info@estiluzusa.com

www.estiluz.com

