

50 YEARS: Estiluz has brought emotions to life through the art of light. Our collection continues to grow and we give you a taste of our news for 2021.

# ESTILUZ / NEWS



**estiluz**<sup>®</sup>

# NEWS 2021

<sup>(ENG)</sup> Our collection of lighting for homes and commercial spaces continues to grow, expanding our vocabulary of elegance and simplicity of form. This aesthetic quality allied with efficiency in the use of LED technology forms the essence of our brand. With this catalogue, we give you a taste of our news for 2021, an appetizer for what will follow. <sup>(ESP)</sup> Nuestra gama de iluminación para el hogar y espacios comerciales sigue aumentando, ampliando así nuestro vocabulario de elegancia y simplicidad. Esta cualidad estética junto con la eficiencia en el uso de la tecnología LED forma la esencia de nuestra marca. Con este catálogo, mostramos algunas novedades para 2021, un avance de lo que está por llegar.







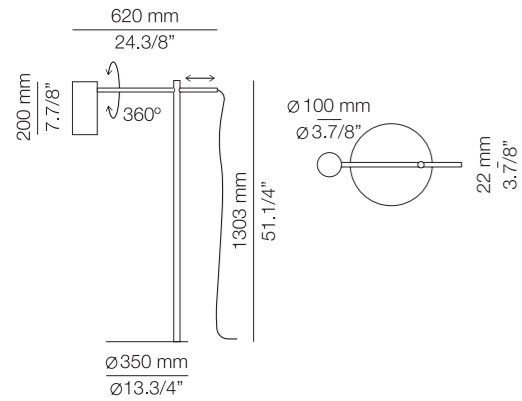
(ENG) A simple cylindrical shade is fixed to an extended arm and rotates to direct its light. The slender stem is balanced on a circular steel or a polished marble base. Add a polyester fiber shade and Cyls glows with warm and diffused light to romantically illumine the space. (ESP) La pantalla cilíndrica permite su rotación para dirigir la luz. El brazo extensible se equilibra sobre una base circular de acero o mármol pulido. Añadiendo una pantalla de poliéster, Cyls brillará con luz cálida y difusa iluminando románticamente cualquier espacio.



# CYLS

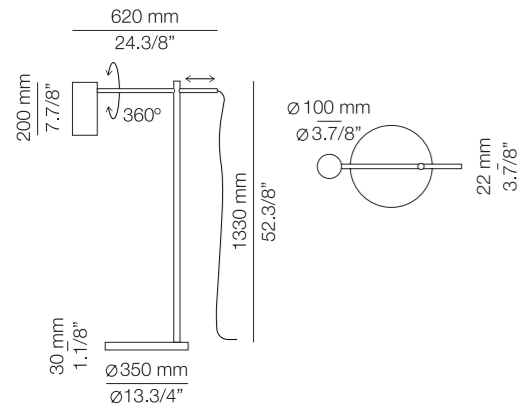
## p-3908

LED or Fluor. up to 20W **A+>A**  
E27 / 230V  
On/Off cord switch



## p-3908M

LED or Fluor. up to 20W **A+>A**  
E27 / 230V  
On/Off cord switch  
Marble base



### Finish

- 26 BLK
- 55 BG

### Additional

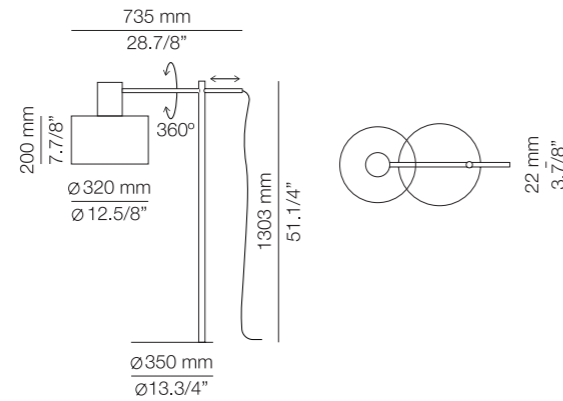
We offer custom finishes, sizes, and alternate lamping for projects.

*Photographs may show non-standard products.*



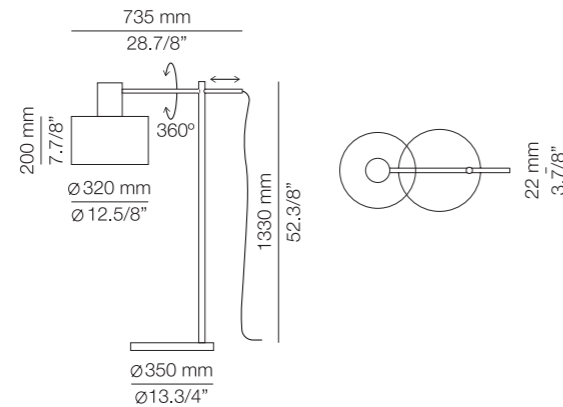
## p-3908P

LED or Fluor. up to 20W **A+>A**  
E27 / 230V  
On/Off cord switch  
White pearl translucent polyester shade



## p-3908MP

LED or Fluor. up to 20W **A+>A**  
E27 / 230V  
On/Off cord switch  
White pearl translucent polyester shade and marble base



### Finish

- 26 BLK
- 55 BG

### Additional

We offer custom finishes, sizes, and alternate lamping for projects.

*Photographs may show non-standard products.*



Private residence by @rosacolei.interiordesign



(ENG) Scaled to sit atop a desk or side table, Cyls' technic-inspired, minimalist design makes it the perfect office partner. (ESP) Con las proporciones perfectas para escritorio y un carácter técnico-decorativo, Cyls es la perfecta compañera para una mesa de oficina.



Table lamp

12

Cyls

Hotel Yuribban Passage by @raquelisogorb





Private residence by @rosacolei.interiordesign



<sup>(ENG)</sup> Pared to its essential volume, as a table lamp with its translucent shade, Cyls takes on a more sociable aspect. Without its shade Cyls provides a dramatic up-light as it is positioned on floor or table. <sup>(ESP)</sup> La lámpara de sobremesa con pantalla translúcida adquiere un aspecto más acogedor. Sin la pantalla, Cyls proporciona una iluminación espectacular cuando se coloca en el suelo o encima de una mesa.





Hotel Yurbban Passage by @raquelsogorb

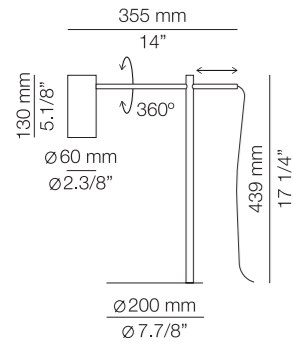
<sup>(ENG)</sup> Reduced to its simplest forms, a cylinder on a disk, the smaller sconce spreads a wide fan of light to illuminate art, an alcove or architectural feature. <sup>(ESP)</sup> El aplique Cyls reducido a su forma más simple, un cilindro en un disco, proyecta un amplio haz de luz para iluminar una obra de arte, un detalle arquitectónico o simplemente una mesita de noche.



# CYLS

## M-3907

LED or Fluor. up to 20W **A+ > A**  
E14 / 230V  
On/Off cord switch



### Additional

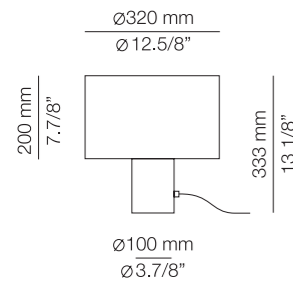
We offer custom finishes, sizes, and alternate lamping for projects.

*Photographs may show non-standard products.*



## M-3906P

LED or Fluor. up to 20W **A+ > A**  
E27 / 230V  
On/Off cord switch  
White pearl translucent polyester shade



### Additional

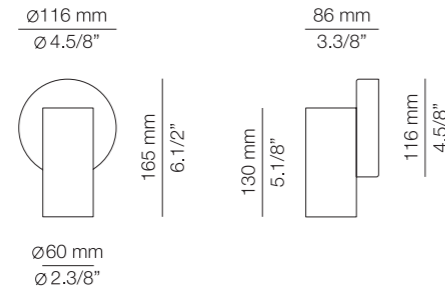
We offer custom finishes, sizes, and alternate lamping for projects.

*Photographs may show non-standard products.*



## A-3900

LED or Fluor. up to 20W **A+ > A**  
E14 / 230V  
Dimmable when using dim. Lamps



### Additional

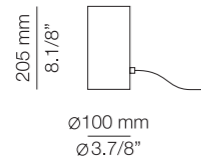
We offer custom finishes, sizes, and alternate lamping for projects.

*Photographs may show non-standard products.*



## M-3906

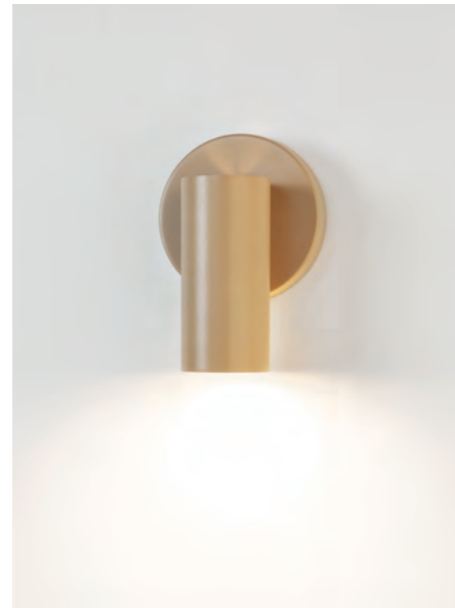
LED or Fluor. up to 20W **A+ > A**  
E27 / 230V  
On/Off cord switch



### Additional

We offer custom finishes, sizes, and alternate lamping for projects.

*Photographs may show non-standard products.*



### Finish

- 26 BLK
- 55 BG



<sup>(ENG)</sup> Suspended, Cyls directs its light to any chosen area. Add a translucent shade to create elegant, softer lighting for seating or dining areas. <sup>(ESP)</sup> Cyls de suspensión ilumina cualquier área. Añadiendo una pantalla translúcida se consigue una iluminación más suave y elegante para las zonas de descanso o el comedor.

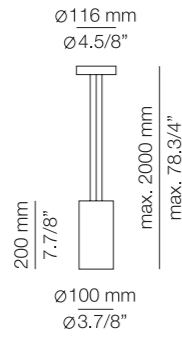




# CYLS

## T-3905

LED or Fluor. up to 20W  
E27 / 230V  
Dimmable when using dim. Lamps



### Finish

- 26 BLK
- 55 BG

### Additional

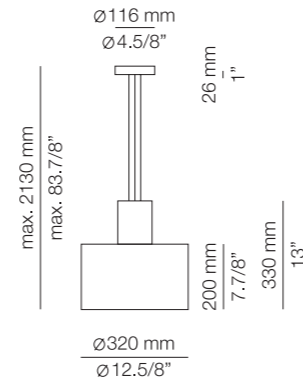
We offer custom finishes, sizes, and alternate lamping for projects.

*Photographs may show non-standard products.*



## T-3905P

LED or Fluor. up to 20W  
E27 / 230V  
Dimmable when using dim. Lamps  
White pearl translucent polyester shade



### Finish

- 26 BLK
- 55 BG

### Additional

We offer custom finishes, sizes, and alternate lamping for projects.

*Photographs may show non-standard products.*



Private residence by @rosacolei.interiordesign







<sup>(ENG)</sup> Suspended above work or social spaces, Gada possesses perfect balance. On the level, symmetry is satisfied. Tilted, it shows a playful side while keeping its efficiency. A palette of finishes and textures for the shade allows this minimalist light to adapt to its surroundings. <sup>(ESP)</sup> Suspendida en espacios de trabajo o reunión, Gada posee un equilibrio perfecto. En posición horizontal proporciona una bonita simetría e inclinada muestra su faceta más informal sin perder su funcionalidad. Una paleta de acabados y vinilos texturizados permiten que esta lámpara minimalista se adapte a su entorno.



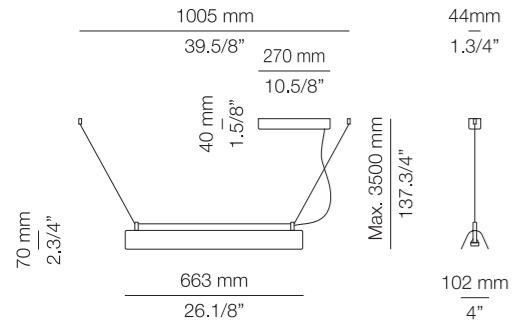




# GADA

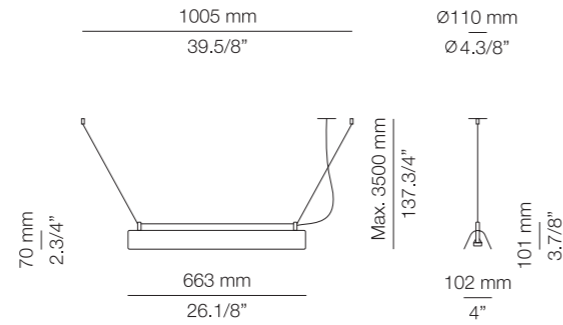
## T-3924S

LED 15,5W **A+**  
 ( 2700K / Ang.120° / >90CRI  
 500mAh ) 230V / Typ\* 1917 lumens  
 Non Dimmable



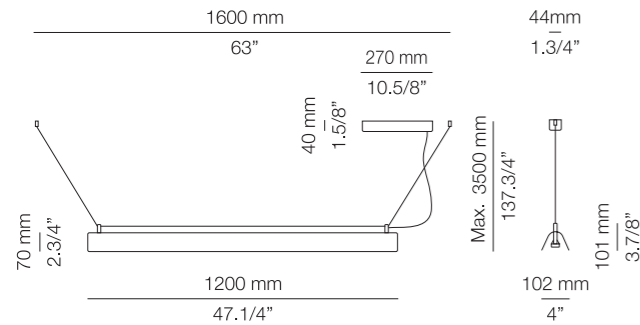
## T-3924R

LED 15,5W **A+**  
 ( 2700K / Ang.120° / >90CRI  
 500mAh ) 230V / Typ\* 1917 lumens  
 Non Dimmable



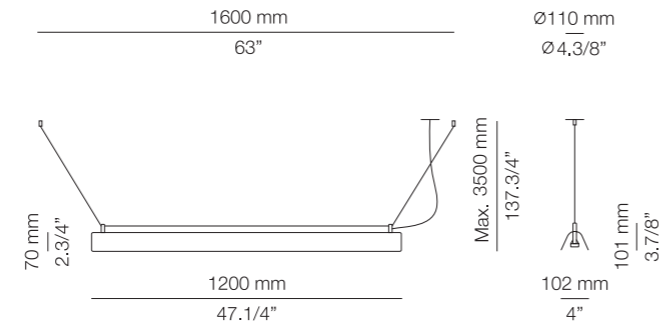
## T-3925S

LED 21,5W **A+**  
 ( 2700K / Ang.120° / >90CRI  
 700mAh ) 230V / Typ\* 2450 lumens  
 Non Dimmable



## T-3925R

LED 21,5W **A+**  
 ( 2700K / Ang.120° / >90CRI  
 700mAh ) 230V / Typ\* 2450 lumens  
 Non Dimmable



### Additional

We offer custom finishes, sizes, and alternate lamping for projects.

*Photographs may show non-standard products.*



### Finish

- 50 MM (Marble textured vinyl)
- 51 CT (Concrete textured vinyl)
- 52 WD (Wood textured vinyl)
- 74 WH (white metal)





(ENG) The simplicity of its aspect also makes Gada a sophisticated desk or table lamp. Its intense illumination provides glare-free, comfortable light.  
(ESP) La sencillez de su diseño convierte a Gada en una sofisticada lámpara de sobremesa con mucha personalidad y proporciona una luz confortable que ilumina sin deslumbrar.





<sup>(ENG)</sup> Gada lends itself perfectly to wall sconces, casting its penumbra of light effortlessly and efficiently. Signage can be seamlessly incorporated into the design, with custom perforations for easy-to-read directions and information. <sup>(ESP)</sup> Gada se integra perfectamente como aplique, proyectando su luz elegantemente a la pared. Su diseño permite incorporar señalización con información personalizada y fácil de leer.



# GADA

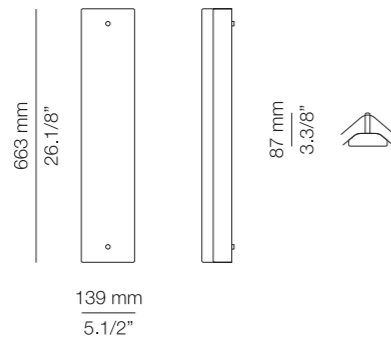
## A-3921

LED 15,5W **A+**  
( 2700K / Ang.120° / >90CRI  
500mAh ) 230V / Typ\* 1917 lumens  
Non Dimmable

### Additional

We offer custom finishes, sizes, and alternate lamping for projects.

*Photographs may show non-standard products.*



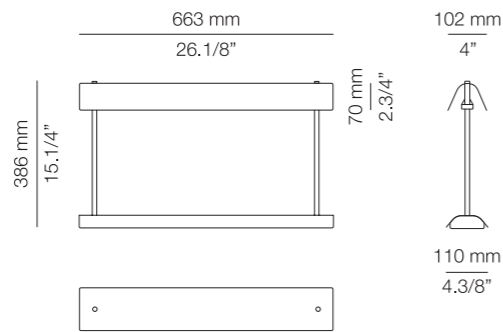
## M-3927

LED 15,5W **A+**  
( 2700K / Ang.120° / >90CRI  
500mAh ) 230V / Typ\* 1917 lumens  
Non Dimmable

### Additional

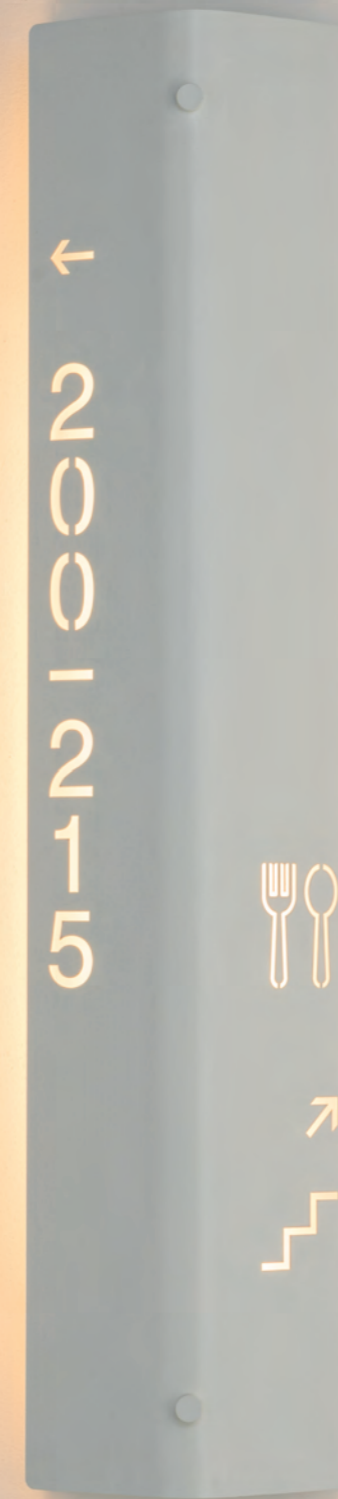
We offer custom finishes, sizes, and alternate lamping for projects.

*Photographs may show non-standard products.*



### Finish

- 50 MM (Marble textured vinyl)
- 51 CT (Concrete textured vinyl)
- 52 WD (Wood textured vinyl)
- 74 WH (white metal)



MORSE

40

Aparentment

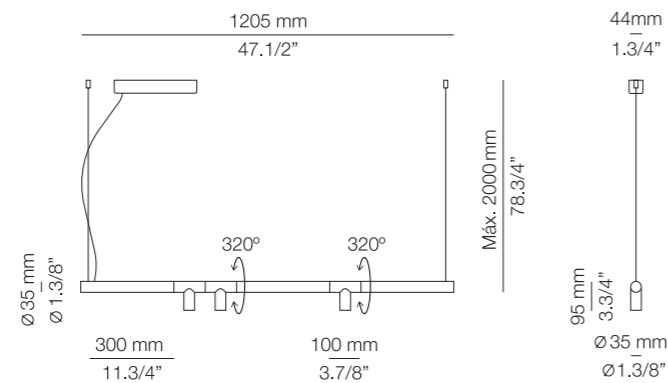


(ENG) Morse offers multifunctional minimalism. Light segments rotate independently along the slender dash of the rail to allow direct and indirect illumination. (ESP) Morse ofrece un minimalismo multifuncional en el que los segmentos de luz giran de forma independiente a lo largo de la estilizada estructura y permiten la iluminación directa e indirecta.

## MORSE

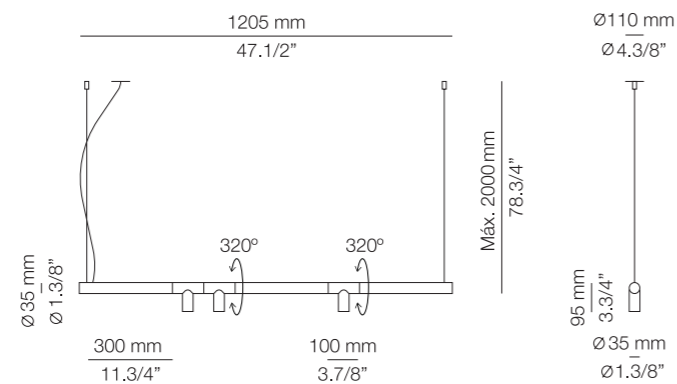
### T-3915S

LED 3x6,1W **A+**  
 ( 2700K / Ang.120° / >90CRI  
 350mAh ) 230V / Typ\* 3x565 lumens  
 Dimmable Triac



### T-3915R

LED 3x6,1W **A+**  
 ( 2700K / Ang.120° / >90CRI  
 350mAh ) 230V / Typ\* 3x565 lumens  
 Dimmable Triac



### Additional

We offer custom finishes, sizes, and alternate lamping for projects.

*Photographs may show non-standard products.*



### Finish

● 26 BLK



Private residence by @rosacolet.interiordesign







(ENG) Indirect, dimmable light sculpture is suspended overhead with magical effect. Alfi shows its versatility as a galaxy of orbs or as single planetary lights. (ESP) Una esbelta escultura de luz indirecta crea un efecto mágico y proporciona una iluminación suave. Alfi muestra su versatilidad pudiéndose integrar de forma individual en un espacio íntimo o formando grandes composiciones como si de lluvia se tratara.

44 & 45 / HasHotel by @uaucollectiv



Alfi

47

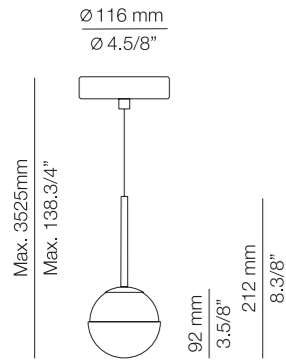
Suspension



# ALFI

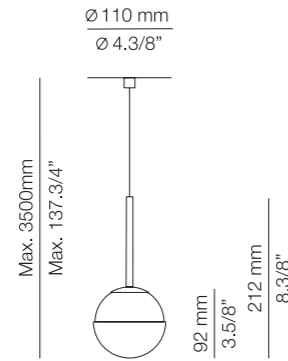
## T-3744AS

LED 3W **A++**  
 ( 2700K / Ang.120° / >90CRI / 24V )  
 100V-240V / Typ\* 300 lumens  
 Non Dimmable  
 Glass shade with cap



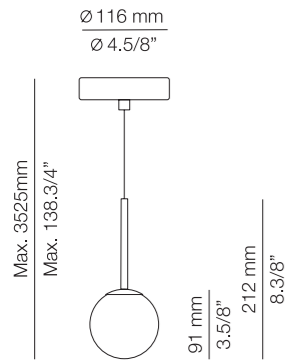
## T-3744AR

LED 3W **A++**  
 ( 2700K / Ang.120° / >90CRI / 24V )  
 220V - 240V / Typ\* 300 lumens  
 Dimmable Triac  
 Glass shade with cap



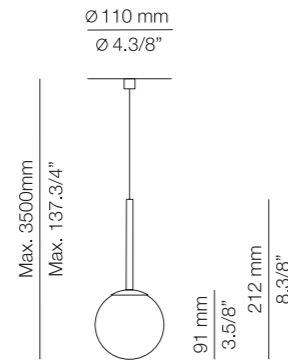
## T-3744S

LED 3W **A++**  
 ( 2700K / Ang.120° / >90CRI / 24V )  
 100V - 240V / Typ\* 300 lumens  
 Non Dimmable  
 Plain glass shade



## T-3744R

LED 3W **A++**  
 ( 2700K / Ang.120° / >90CRI / 24V )  
 220V-240V / Typ\* 300 lumens  
 Dimmable Triac  
 Plain glass shade



### Finishes

- 26 BLK
- 20 GLD M

### Additional

We offer custom finishes, sizes, and alternate lamping for projects. Contract option minimum quantity required.

*Photographs may show non-standard products.*



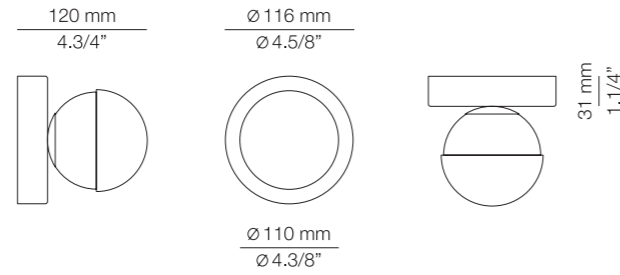
Private residence by @rosacolei.interiordesign



# ALFI

## A-3740AS / t-3740AS

LED 3W  
( 2700K / Ang.120° / >90CRI / 24V )  
100V - 240V / Typ\* 300 lumens  
Non dimmable  
Glass shade with cap

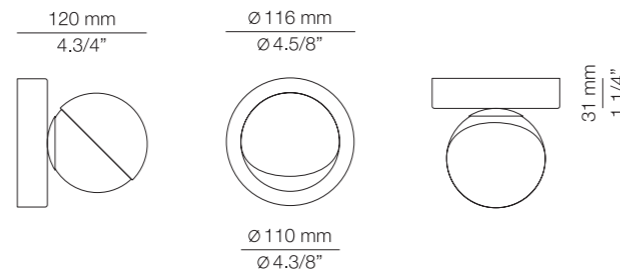


### Finishes

- 26 BLK
- 20 GLD M

## A-3740A1S / t-3740A1S

LED 3W  
( 2700K / Ang.120° / >90CRI / 24V )  
100V - 240V / Typ\* 300 lumens  
Non dimmable  
Glass shade with cap at 45°

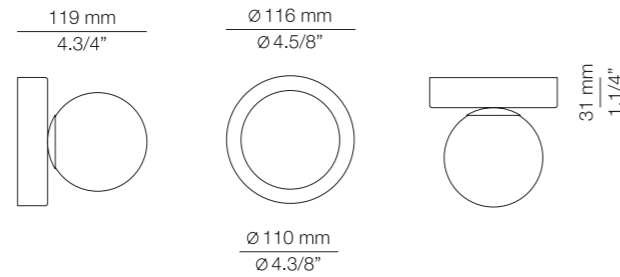


### Finishes

- 26 BLK
- 20 GLD M

## A-3740S / t-3740S

LED 3W  
( 2700K / Ang.120° / >90CRI / 24V )  
100V - 240V / Typ\* 300 lumens  
Non dimmable  
Plain glass shade



### Finishes

- 26 BLK
- 20 GLD M

## Additional

We offer custom finishes, sizes,  
and alternate lamping for projects.  
Contract option minimum quantity required.

*Photographs may show non-standard products.*



# FLOWER POT



(ENG) Greenery adds life to interiors and light brings life to plants: Flower Pot is the perfect pairing of plants with the light they need to live. Incorporate living or artificial plants with suspended light fixtures, either as a circular planter for large chandeliers or with individual globes that can be used singly or in clusters. (ESP) El verde da vida a los interiores y la luz da vida a las plantas: Flower Pot es la combinación perfecta para incorporar plantas vivas o artificiales a tus lámparas de suspensión: una jardinera circular para suspensiones grandes o macetas pequeñas que se pueden usar individualmente o en grupos.





54 / Hotel Terra Dominicana by @blackvelvetstudio\_bcn 55 / Catena Abogados offices by @ynterium

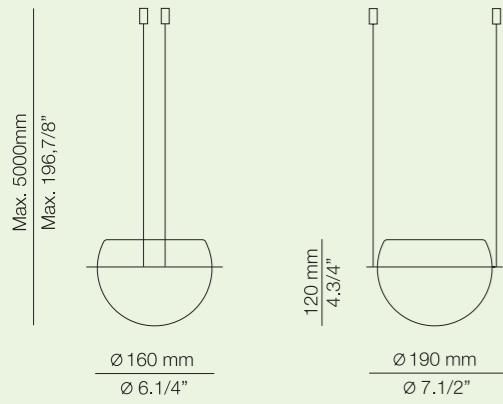


(ENG) Small globes (left), easily accessed for care and maintenance, are perfect for living plants, while we've filled the large planter ring (above) with natural-looking artificial plants. (ESP) La jardinera (ver foto superior) se puede adquirir con o sin nuestra selección de plantas artificiales de aspecto muy real, mientras que la maceta de polietileno (ver foto izquierda) está pensada para incorporar tus plantas naturales preferidas.

# FLOWER POT

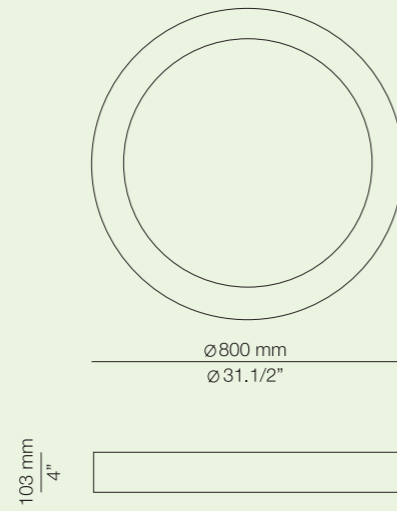
## FLOWER POT

Flower pot KIT for greenery in black anthracite polyethylene.  
Waterproof / Maximum 1,5kg.  
Plants not included.



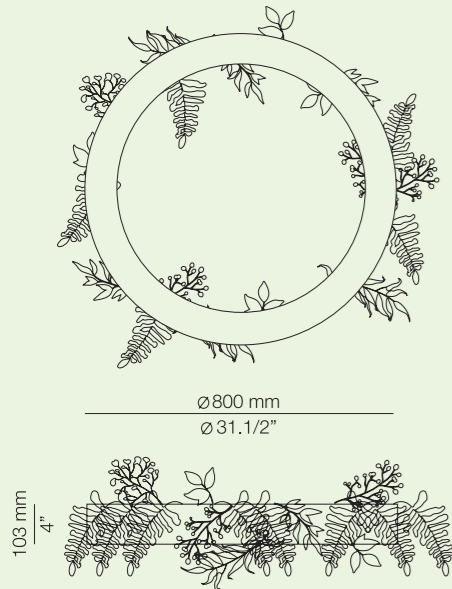
## PLANTER

Planter KIT for artificial greenery.  
Plants not included.  
Not waterproof / Maximum 30kg.



## PLANTER

Planter KIT with artificial greenery included.  
Not waterproof



The Melody House by @alon\_cohen\_architecture



# TECHNICAL FEATURES

# DATOS TÉCNICOS

## SYMBOLS / SÍMBOLOS

CE (ENG) Products manufactured according to the European safety and electromagnetic standards (EN 60598-1 and EN 60598-2-1). (ESP) Productos fabricados acorde con las directrices de seguridad y emisiones electromagnéticas según la legislación europea aplicable (EN 60598-1 y EN 60598-2-1).

650°  
850°  
960°  
VI (ENG) This product has passed successfully the test of the glow wire test at this temperature (standards NF C 20-455 and EN-60-598-1). (ESP) Productos que han superado con éxito el ensayo de hilo incandescente a la temperatura indicada (normas NF C 20-455 y EN-60-598-1).

IP  
20 (ENG) Product protected against the penetration of solid bodies equal or bigger than 12 mm and against the access with a finger. No protection to the water (standard NF C 20 010). (ESP) Producto protegido contra la penetración de cuerpos sólidos de diámetro superior o igual a 12 mm. No accesible con los dedos. Sin protección al agua (norma NF C 20 010).

⊕ (ENG) Basic insulation with earth wire (products class I). (ESP) Aislamiento básico con toma de tierra (productos de clase I).

□ (ENG) Reinforced or double insulation, without earth wire (products class II). (ESP) Aislamiento reforzado o doble, sin toma de tierra (productos de clase II).

## FINISHES / ACABADOS

- 20 GLD M 24 Carat gold / Oro 24q
- 26 BLK Black matt / Negro mate
- 50 MM Marble textured vinyl / Vinilo texturizado Mármol
- 51 CT Concrete textured vinyl / Vinilo texturizado Hormigón
- 52 WD Wood textured vinyl / Vinilo texturizado Madera
- 55 BG Beige / Beige
- 74 WH White satin, RAL 9003 / Blanco lacado satinado, RAL 9003

## MODIFICATIONS / MODIFICACIONES

(ENG) Estiluz reserves the right to modify or discontinue, without previous notice, products in the catalog. Please check our web for current product availability and specifications. Lumens on LED's indicate the lumen output without diffuser.

(ESP) Estiluz se reserva el derecho a modificar o anular, sin previo aviso, productos de este catálogo. Por favor visite nuestra web para conocer los productos y especificaciones actuales. Los lúmenes indicados son de salida, sin difusor.

## COMMENTS / OBSERVACIONES

All ESTILUZ, S.A. products are designed and manufactured to keep customers satisfied, consequently please note the following:

1. Due to the high quality of our finishes, we recommend using a soft dry polish cloth for cleaning, avoiding the use of special cleaning products that could damage the finish.
2. Do not use lamps of a higher power than indicated.
3. All models are patent protected.
4. Conformity Certificates and technical information of our products are available upon request.

Los productos de ESTILUZ, S.A han sido diseñados y fabricados para satisfacer al máximo a nuestros clientes, debiendo por ello informarles de:

1. Dada la alta calidad de nuestros acabados, aconsejamos efectuar la limpieza exclusivamente con una gamuza seca, evitando el uso de productos especiales que podrían dañar la superficie.
2. No deberán utilizarse bombillas de potencia superior a la indicada.
3. Modelos protegidos por el Registro de la Propiedad Industrial.
4. Certificados de Conformidad e información técnica de nuestros productos disponibles bajo consulta.

**ESTILUZ (Headquarters) / Carretera d'Ogassa s/n**  
E-17860 St Joan de les Abadesses (Girona) Spain  
T + 34 972 720 125 / F + 34 972 720 796 / [estiluz@estiluz.com](mailto:estiluz@estiluz.com)

**ESTILUZ Inc. USA & CANADA / 330 West 38th St. Suite 710**  
New York, NY 10018 USA / T +1 (646) 454 - 1285  
F + 1 (646) 454 - 1799 / [info@estiluzusa.com](mailto:info@estiluzusa.com)

[www.estiluz.com](http://www.estiluz.com)

