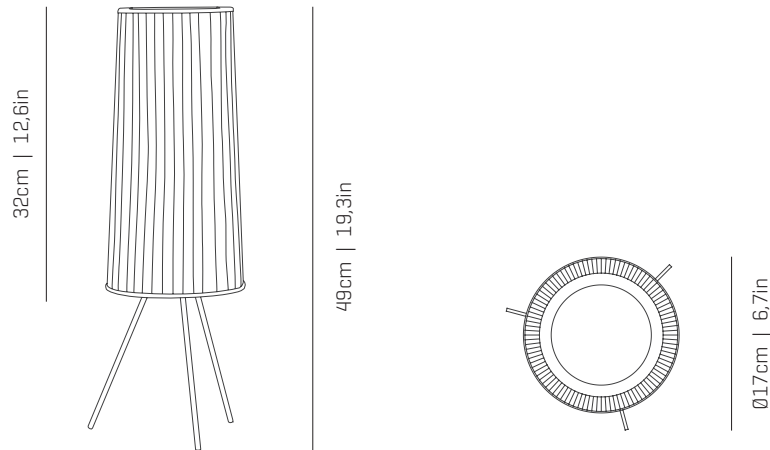


a

by arturo alvarez

ura collection



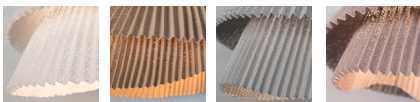
ref. UR01



MATERIALS & COMPONENTS | MATERIALES & COMPONENTES

LAMP SHADE | TULIPA

Painted stainless steel | One color to choose
Acero inoxidable pintado | Un color a elegir



BL

BE

G

T

CUSTOM
COLOR

SUPPORT AND CABLE

SOPORE Y CABLE

Stainless steel
Acero inoxidable

Transparent or black cable
Cable transparente o negro
Standard: 120cm | 47,2in

RECOMMENDED BULBS

BOMBILLAS RECOMENDADAS

230V - 50Hz

- E27 LED Vintage - Max. 1x12 W
- E27 LED Standard - Max. 1x12 W

120V - 60Hz

- E26 LED- Max. 1x12 W

ENERGY EFFICIENCY

EFICIENCIA ENERGÉTICA

from A++ to E
desde A++ a E

OTHER DATA | OTROS DATOS

NET WEIGHT | PESO NETO

1kg | 2,2lb

PACKAGING | EMBALAJE

66x32x23cm | 26x 12,6x 9,1in
1,8kg | 3,9lb

ELECTRICAL FEATURES

CARACTERÍSTICAS ELÉCTRICAS



CERTIFICATIONS

CERTIFICACIONES

