

## SAFETY WARNINGS

The Installation should only be undertaken by a qualified electrician. The light source contained in this luminaire is integrated and shall only be replaced by the manufacturer or his service agent or a similar qualified person.

L'installation du luminaire doit se faire par un ingénieur électricien agréé. La source lumineuse contenue dans ce luminaire est intégrée et ne peut être remplacé que par le fabricant ou un de ses agents de service ou une personne qualifiée.

La instalación sólo debe ser realizada por un electricista calificado. La fuente de luz incluida en esta luminaria está integrada y sólo debe ser sustituida por el fabricante o su agente de servicio o una persona cualificada similar.

L'installazione deve essere eseguita solo da un elettricista qualificato. La sorgente luminosa contenuta in questo apparecchio è integrata e deve essere sostituita solo dal produttore o dal suo agente di servizio o da una persona qualificata simile.

Die Installation darf nur von einem Elektrofachmann durchgeführt werden. Die in dieser Leuchte enthaltene Lichtquelle ist integriert und darf nur durch den Hersteller oder seinen Kundendienst oder eine ähnlich qualifizierte Person ersetzt werden.

Монтаж должен выполняться только квалифицированным электриком. Источник света, содержащийся в этом светильнике, интегрирован и заменяется только изготовителем или его сервисным агентом или аналогичным квалифицированным персоналом.

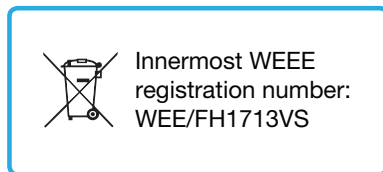
## TECHNICAL INFORMATION

Brixton Wall (EU) - 220v, DC 6W LED Unit CE certified, CRI 90, 375/600 Lumen 2700K , Triac / Lutron Dimmable Compatible with Casambi bluetooth control system


## CLEANING AND CARE

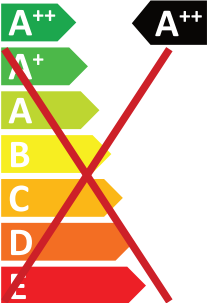
Use a non abrasive cloth to keep your Brixton Wall clean.

Our continually updated product documentation can be accessed at [www.innermost.net](http://www.innermost.net)




**innermost**  
Brixton Wall WB108105XX

 This luminaire is compatible with bulbs of the energy classes:



This lamp cannot be changed in the luminaire.

874/2012 



For further information, please contact: [info@innermost.net](mailto:info@innermost.net)

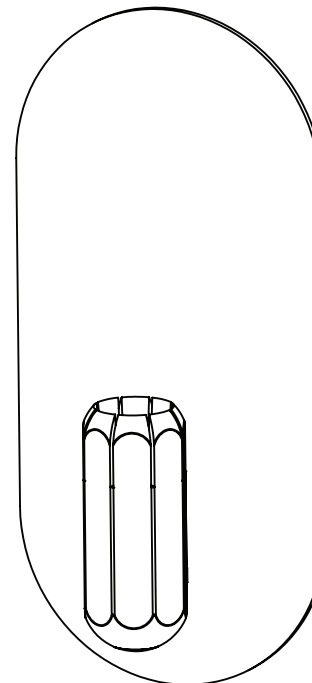
[www.innermost.net](http://www.innermost.net)

OXO Tower Wharf Bargehouse Street  
London, SE1 9PH

ITG053.10.01

# Brixton Wall

by James Bartlett



INSTALLATION GUIDE FOR :

Brixton Wall UK/EU

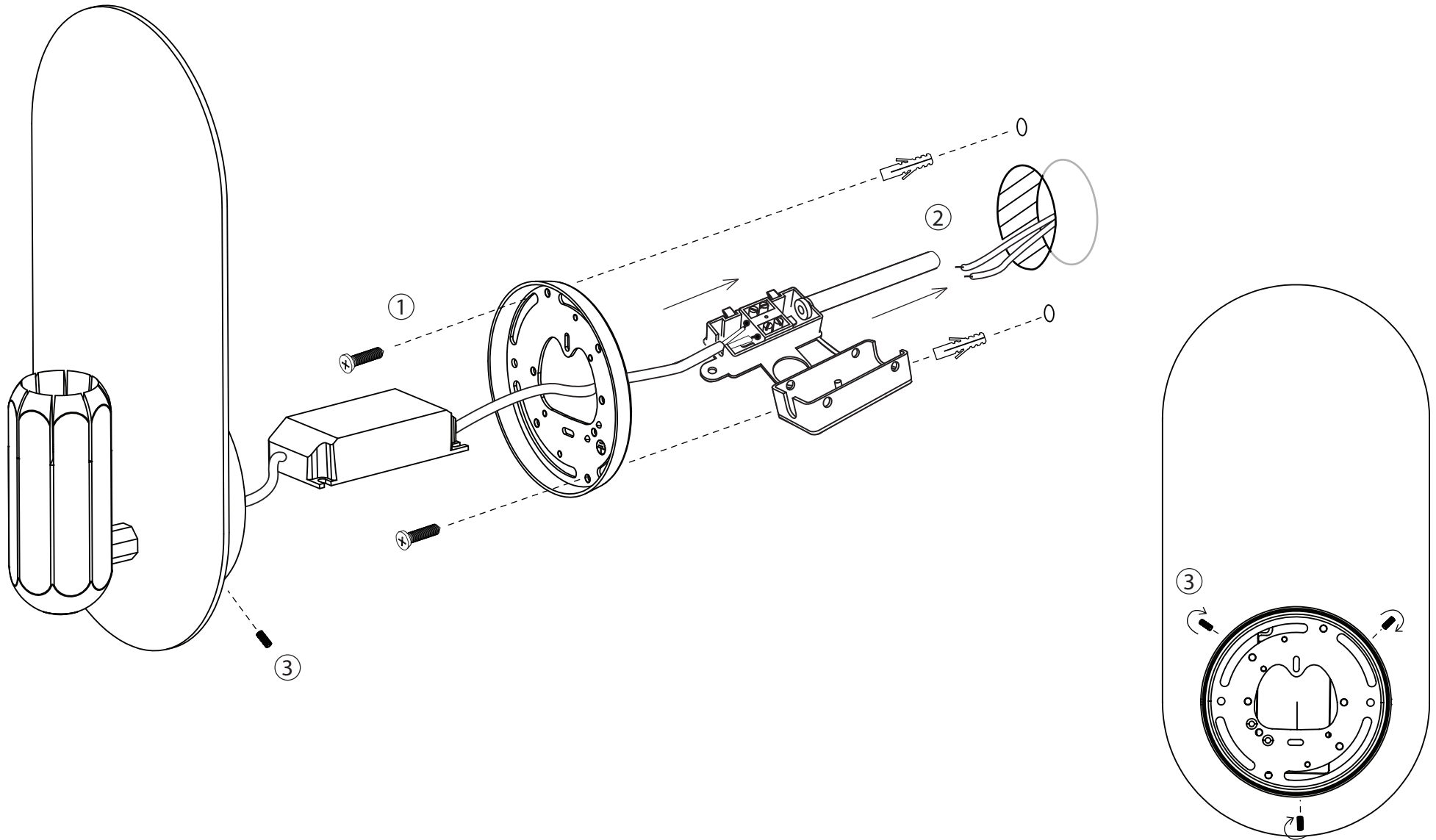
White - WB10810501  
Copper - WB10810507  
Graphite - WB10810536

**innermost**<sup>®</sup>

# Brixton Wall

by James Bartlett

innermost®



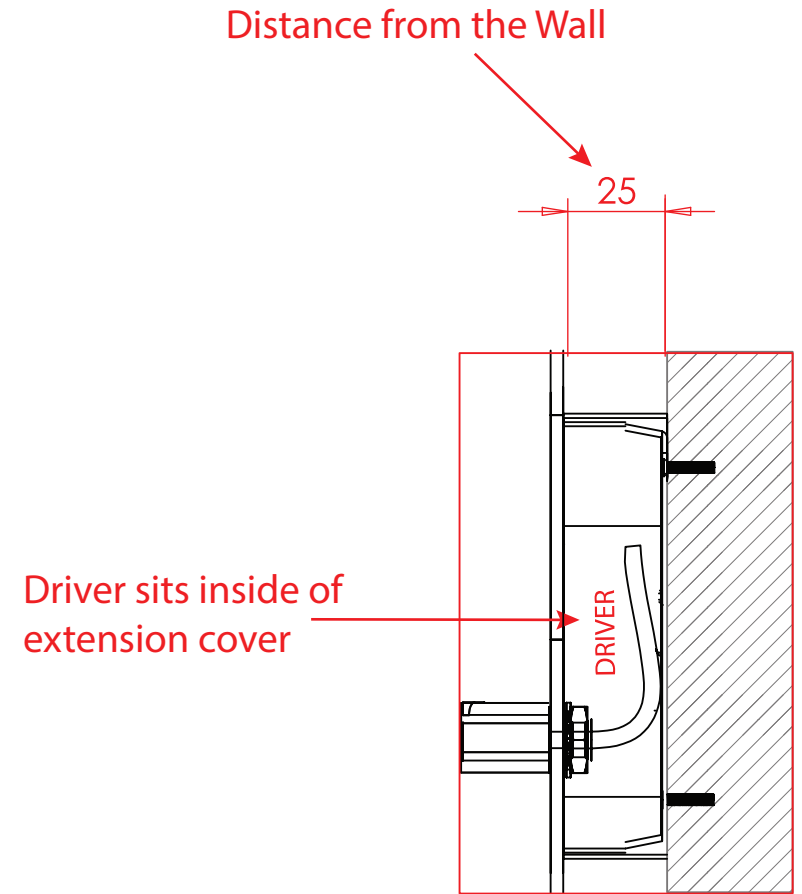
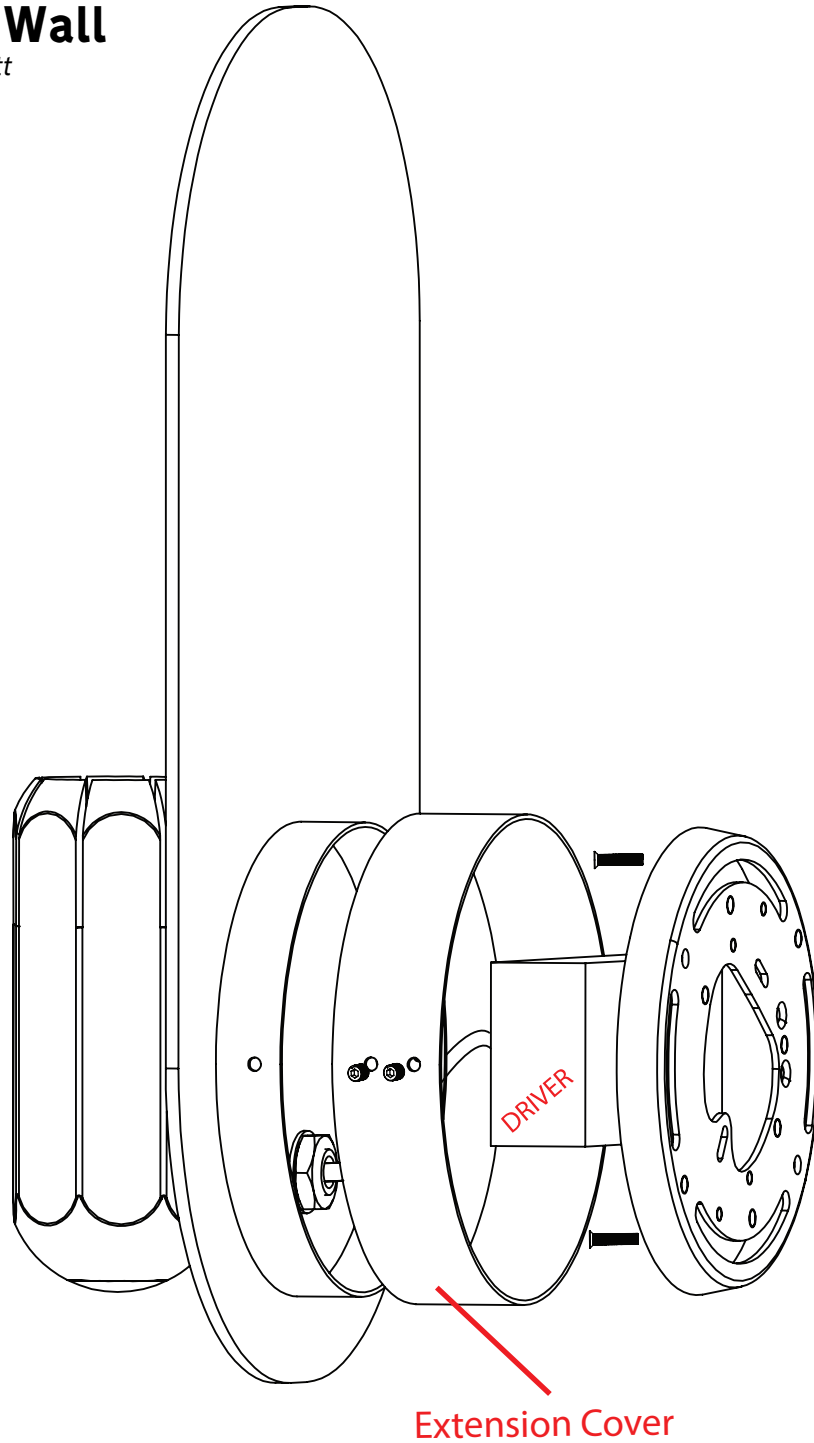
Brixton Wall EU/UK - WB108105XX

# Brixton Wall

by James Bartlett

Installation A

innermost®



Installation A

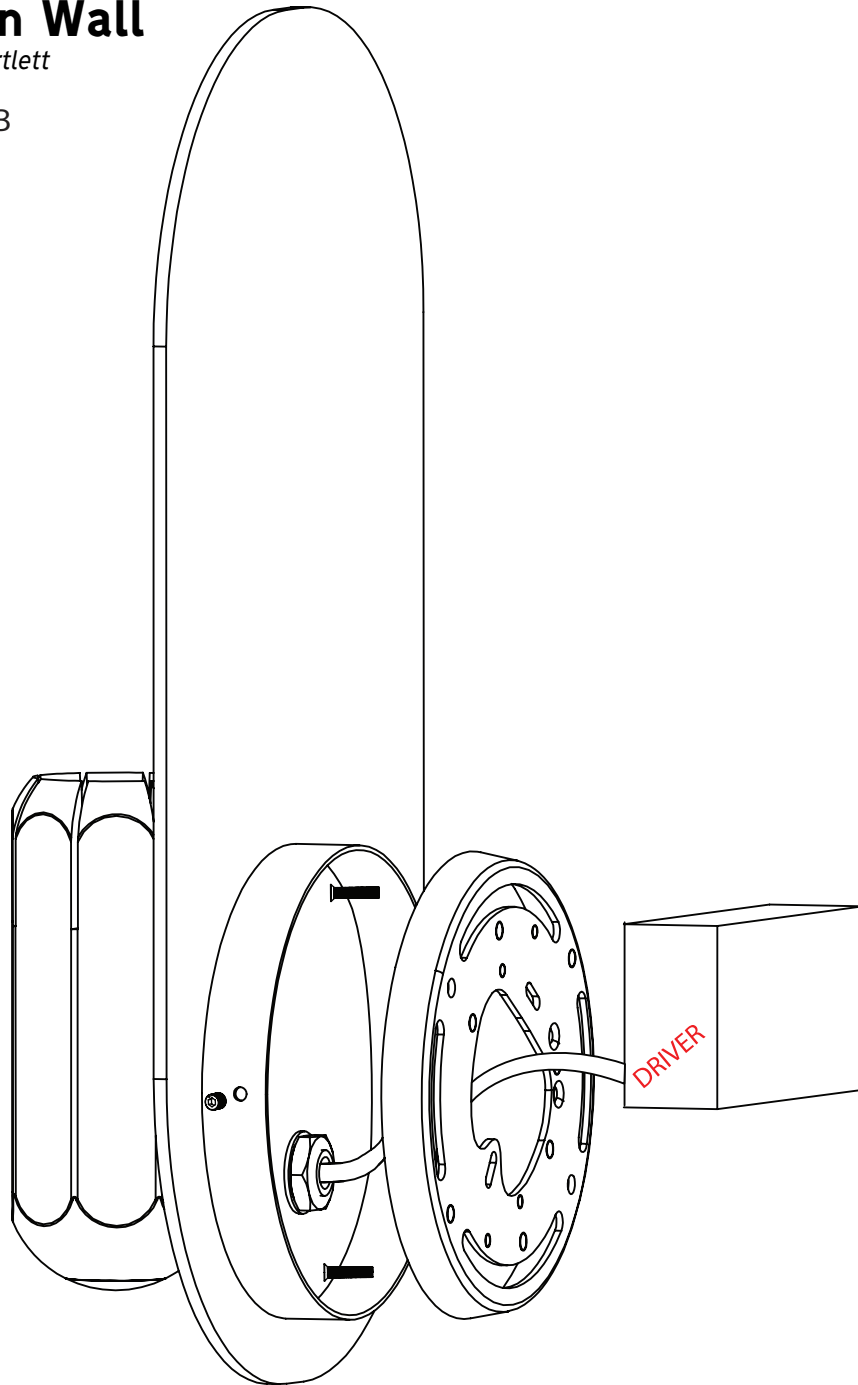
Brixton Wall EU/UK - WB108105XX

# Brixton Wall

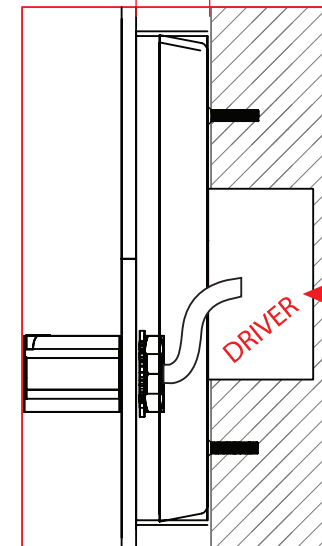
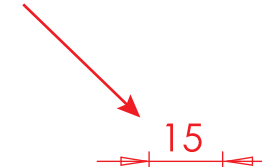
by James Bartlett

innermost®

Installation B  
slimline



Distance from the Wall



Driver sits  
inside of wall

Installation B